

# EDCON-COMPONENTS



## Technical Informations

Material: Nylon 66  
 Flame Class: 94V-2 / V0  
 Color: Natural  
 Temperature Range: -40°C ~ +85°C

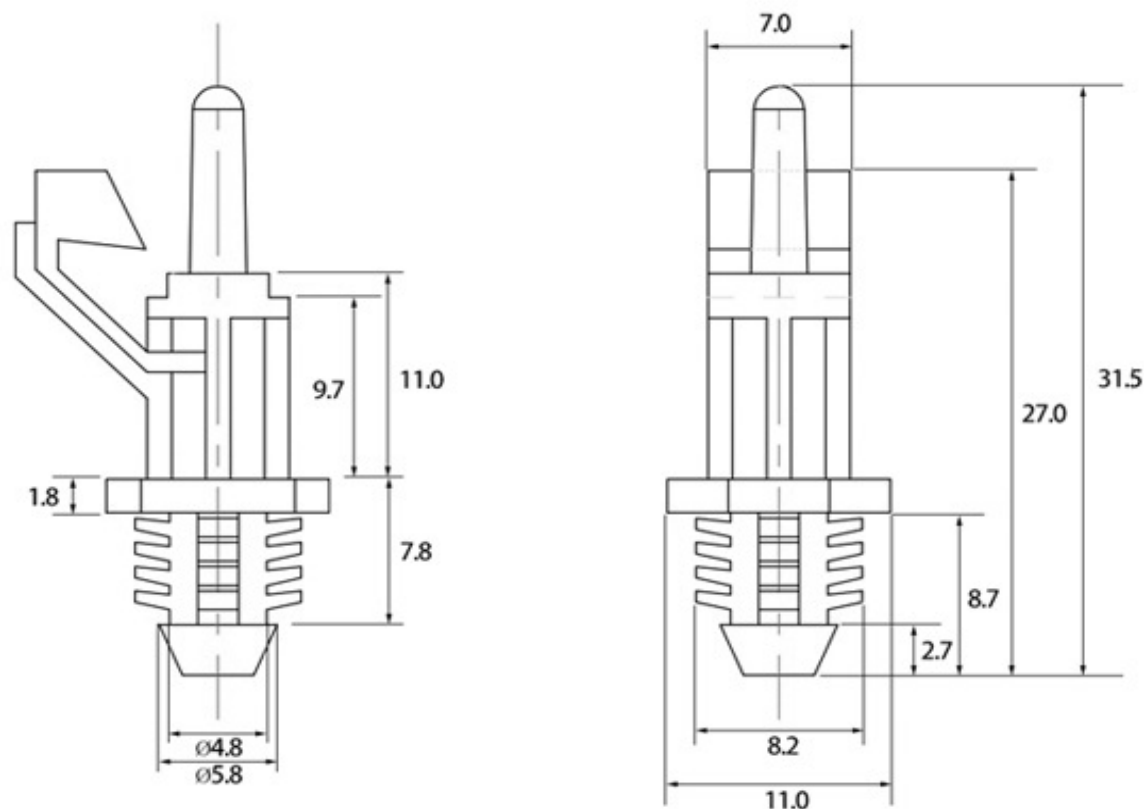
### Hole Diameter

Hole 1 (+/-0,08mm) 3,0mm  
 PCB Thickness Hole 1 1,2~1,7mm  
 Hole 2 (+/-0,08mm) 5,0mm  
 PCB Thickness Hole 2 5,0mm

## Ordering Code Table

Order Code	A			
A01	10,0			
A02				
A03				
A04				
A05				
A06				
A07				
A08				
A09				
A10				
A11				
A12				
A13				
A14				
A15				

## Dimension (mm)



### PCB Spacer

Part No.: **N17136**

Customer:

DRW:	Jason	CHKD	Wilson	MATL:	Wilson	TOLERANCE	Mason	DATE	04.03.2019
APPD:	Schumi			FINISH	Jamy		Sheet No.		1 from 2

# EDCON-COMPONENTS



## Ordering Informations

Serie	Order Code table	Material	Color	ROHS	Packing					
<b>N17136</b>	- <b>A01</b>	<b>NY</b>	<b>WH</b>	<b>R</b>	<b>BU</b>					

<b>A01=</b> Length	<b>NY=</b> Nylon	<b>WH=</b> White	<b>R=</b> ROHS Conform	<b>BU=</b> Bulk-Ware			
			<b>N=</b> NON ROHS Conform	<b>IV=</b> Individual Packing			

<b>PCB Spacer</b>	
Part No.:	<b>N17136</b>
Customer:	

DRW:	Jason	CHKD	Wilson	MATL:	Wilson	TOLERANCE	Mason	DATE	04.03.2019
APPD:	Schumi			FINISH	Jamy		Sheet No.		2 from 2