

# EDCON-COMPONENTS



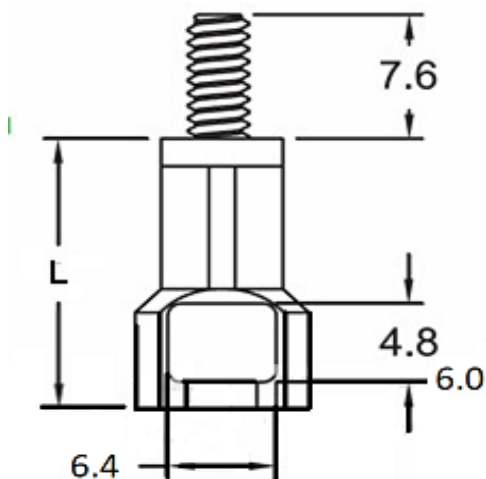
## Technical Informations

Material: Nylon 66  
 Flame Class: 94V-2  
 Color: Natural  
 Temperature Range: -20°C ~ +220°C

### Hole Diameter

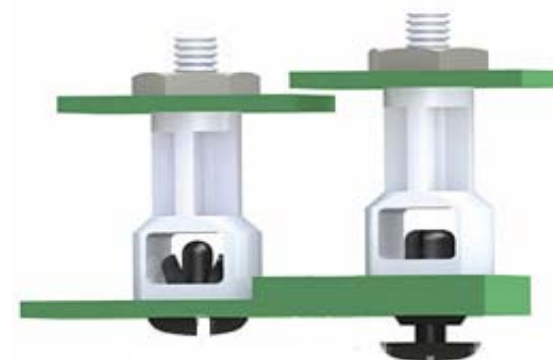
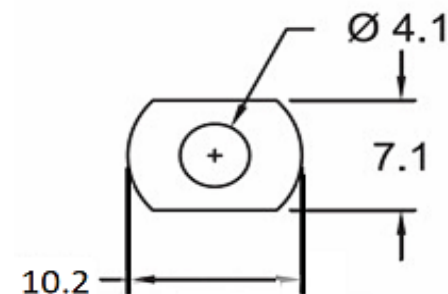
Hole Diameter: 4,1mm  
 Hole Diameter: 3,2mm

### Dimension (mm)



## Ordering Code table

Order Code	L	Thread		
A01	11,1	M4		
A02	12,7	M4		
A03	15,9	M4		
A04	19,1	M4		
A05	22,2	M4		
A06				
A07				
A08				
A09				
A10				
A11				
A12				
A13				
A14				
A15				
A16				
A17				
A18				
A19				
A20				
A21				
A22				
A23				
A24				
A25				
A26				
A27				



**M4 Mountable Board Spacer**

Part No.: **N17130**

Customer:

DRW:	Jason	CHKD	Wilson	MATL:	Wilson	TOLERANCE	Mason	DATE	28.02.2019
APPD:	Schumi			FINISH	Jamy		Sheet No.	1 from 2	

# EDCON-COMPONENTS



## Ordering Informations

Serie	Order Code table	Material	Color	ROHS	Packing					
<b>N17130</b>	<b>A01</b>	<b>NY</b>	<b>WH</b>	<b>R</b>	<b>BU</b>					

<b>A01=</b> Length	<b>NY=</b> Nylon	<b>WH=</b> White	<b>R=</b> ROHS Conform	<b>BU=</b> Bulk-Ware			
			<b>N=</b> NON ROHS Conform	<b>IV=</b> Individual Packing			

<b>M4 Mountable Board Spacer</b>	
Part No.:	<b>N17130</b>
Customer:	

DRW:	Jason	CHKD	Wilson	MATL:	Wilson	TOLERANCE	Mason	DATE	28.02.2019
APPD:	Schumi			FINISH	Jamy			Sheet No.	2 from 2