

# EDCON-COMPONENTS



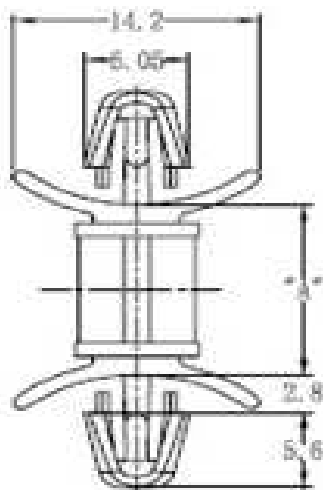
## Technical Informations

Material: Nylon 66  
 Flame Class: 94V-2 / V0  
 Color: Natural  
 Temperature Range: -40°C ~ +85°C

### Hole Diameter

Hole 1 (+/-0,08mm) 4,75mm  
 Panel Thickness Hole 1 0,79 ~ 1,98mm  
 Hole 2 (+/-0,08mm) 4,75mm  
 Panel Thickness Hole 2 0,79 ~ 1,98mm

### Dimension (mm)



## Ordering Code table

| Order Code | A    |  |  |  |
|------------|------|--|--|--|
| A01        | 4,8  |  |  |  |
| A02        | 6,4  |  |  |  |
| A03        | 9,5  |  |  |  |
| A04        | 12,7 |  |  |  |
| A05        | 15,9 |  |  |  |
| A06        | 19,1 |  |  |  |
| A07        | 22,2 |  |  |  |
| A08        |      |  |  |  |
| A09        |      |  |  |  |
| A10        |      |  |  |  |
| A11        |      |  |  |  |
| A12        |      |  |  |  |
| A13        |      |  |  |  |
| A14        |      |  |  |  |
| A15        |      |  |  |  |
| A16        |      |  |  |  |
| A17        |      |  |  |  |
| A18        |      |  |  |  |
| A19        |      |  |  |  |
| A20        |      |  |  |  |
| A21        |      |  |  |  |
| A22        |      |  |  |  |
| A23        |      |  |  |  |
| A24        |      |  |  |  |
| A25        |      |  |  |  |
| A26        |      |  |  |  |
| A27        |      |  |  |  |

**Double Arrow Locking  
Circuit Board Spacer**

Part No.: **N17091**

|       |        |      |        |        |        |           |           |      |            |
|-------|--------|------|--------|--------|--------|-----------|-----------|------|------------|
| DRW:  | Jason  | CHKD | Wilson | MATL:  | Wilson | TOLERANCE | Mason     | DATE | 08.02.2013 |
| APPD: | Schumi |      |        | FINISH | Jamy   |           | Sheet No. |      | 1 from 2   |

Customer:

# EDCON-COMPONENTS



## Ordering Informations

| Serie         | Order Code table | Material  | Color     | ROHS     | Packing   |  |  |  |  |  |
|---------------|------------------|-----------|-----------|----------|-----------|--|--|--|--|--|
| <b>N17091</b> | <b>A01</b>       | <b>NY</b> | <b>WH</b> | <b>R</b> | <b>BU</b> |  |  |  |  |  |

|                    |                  |                  |                            |                               |  |  |  |
|--------------------|------------------|------------------|----------------------------|-------------------------------|--|--|--|
| <b>A01=</b> Length | <b>NY=</b> Nylon | <b>WH=</b> White | <b>R=</b> ROHS Conform     | <b>BU=</b> Bulk-Ware          |  |  |  |
|                    |                  |                  | <b>N=</b> NON ROHS Conform | <b>IV=</b> Individual Packing |  |  |  |
|                    |                  |                  |                            |                               |  |  |  |
|                    |                  |                  |                            |                               |  |  |  |
|                    |                  |                  |                            |                               |  |  |  |
|                    |                  |                  |                            |                               |  |  |  |
|                    |                  |                  |                            |                               |  |  |  |
|                    |                  |                  |                            |                               |  |  |  |
|                    |                  |                  |                            |                               |  |  |  |
|                    |                  |                  |                            |                               |  |  |  |
|                    |                  |                  |                            |                               |  |  |  |

|  |               |
|--|---------------|
| <b>Double Arrow Locking Circuit Board Spacer</b> |               |
| Part No.:  | <b>N17091</b> |
| Customer:  |               |

|       |        |      |        |        |        |           |           |      |            |
|-------|--------|------|--------|--------|--------|-----------|-----------|------|------------|
| DRW:  | Jason  | CHKD | Wilson | MATL:  | Wilson | TOLERANCE | Mason     | DATE | 08.02.2013 |
| APPD: | Schumi |      |        | FINISH | Jamy   |           | Sheet No. |      | 2 from 2   |