

EDCON-COMPONENTS



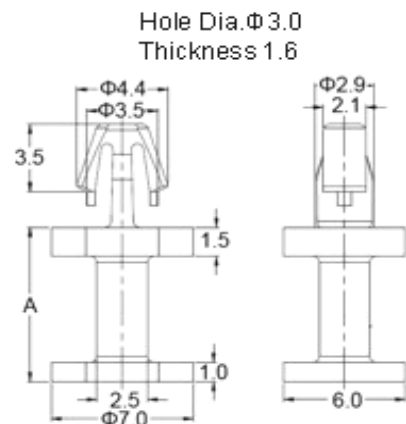
Technical Informations

Material: Nylon 66
 Flame Class: 94V-2 / V0
 Color: Natural
 Temperature Range: -40°C ~ +85°C

Hole Diameter

Hole 1 (+/-0,08mm)
 Panel Thickness Hole 1
 Hole 2 (+/-0,08mm) 3,0mm
 Panel Thickness Hole 2 1,6mm

Dimension (mm)



Ordering Code table

Order Code	A			
A01	2,5			
A02	4,0			
A03	6,0			
A04	8,0			
A05	10,0			
A06	12,0			
A07	14,0			
A08	14,8			
A09	16,0			
A10	18,0			
A11				
A12				
A13				
A14				
A15				
A16				
A17				
A18				
A19				
A20				
A21				
A22				
A23				
A24				
A25				
A26				
A27				

**Arrow Push Locking
Circuit Board Spacer**

Part No.: **N17055**

Customer:

DRW:	Jason	CHKD	Wilson	MATL:	Wilson	TOLERANCE	Mason	DATE	05.02.2013
APPD:	Schumi			FINISH	Jamy		Sheet No.	1 from 2	

EDCON-COMPONENTS



Ordering Informations

Serie	Order Code table	Material	Color	ROHS	Packing					
N17055	-	A01	NY	WH	R	BU				

A01= Length	NY= Nylon	WH= White	R= ROHS Conform	BU= Bulk-Ware					
			N= NON ROHS Conform	IV= Individual Packing					

Arrow Push Locking Circuit Board Spacer	
Part No.:	N17055
Customer:	

DRW:	Jason	CHKD	Wilson	MATL:	Wilson	TOLERANCE	Mason	DATE	05.02.2013
APPD:	Schumi			FINISH	Jamy			Sheet No.	2 from 2