

EDCON-COMPONENTS



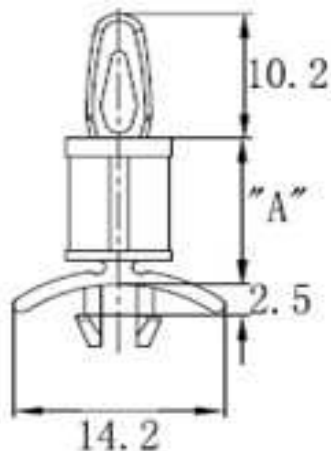
Technical Informations

Material: Nylon 66
 Flame Class: 94V-2 / V0
 Color: Natural
 Temperature Range: -40°C ~ +85°C

Hole Diameter

Hole 1 (+/-0,08mm) 4,0mm
 Panel Thickness Hole 1 1,57mm
 Hole 2 (+/-0,08mm) 4,75mm
 Panel Thickness Hole 2 0,79~1,98mm

Dimension (mm)



Ordering Code table

Order Code	A	B	C
A01	4,8		
A02	6,4		
A03	9,5		
A04	12,7		
A05	15,9		
A06	19,1		
A07	22,2		
A08			
A09			
A10			
A11			
A12			
A13			
A14			
A15			
A16			
A17			
A18			
A19			
A20			
A21			
A22			
A23			
A24			
A25			
A26			
A27			

**Arrow Locking Circuit
Board Spacer**

Part No.: **N17041**

Customer:

DRW:	Jason	CHKD	Wilson	MATL:	Wilson	TOLERANCE	Mason	DATE	24.02.2013
APPD:	Schumi			FINISH	Jamy		Sheet No.		1 from 2

EDCON-COMPONENTS



Ordering Informations

Serie	Order Code table	Material	Color	ROHS	Packing					
N17041	A01	NY	WH	R	BU					

A01= Length	NY= Nylon	WH= White	R= ROHS Conform	BU= Bulk-Ware			
			N= NON ROHS Conform	IV= Individual Packing			

Arrow Locking Circuit Board Spacer	
Part No.:	N17041
Customer:	

DRW:	Jason	CHKD	Wilson	MATL:	Wilson	TOLERANCE	Mason	DATE	24.02.2013
APPD:	Schumi			FINISH	Jamy			Sheet No.	2 from 2