

# EDCON-COMPONENTS



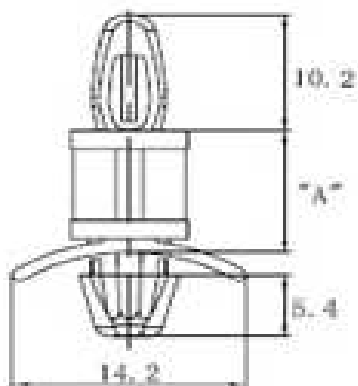
## Technical Informations

Material: Nylon 66  
 Flame Class: 94V-2 / V0  
 Color: Natural  
 Temperature Range: -40°C ~ +85°C

### Hole Diameter

Hole 1 (+/-0,08mm): 4,0mm  
 Panel Thickness Hole 1: 1,57mm  
 Hole 2 (+/-0,08mm): 4,75mm  
 Panel Thickness Hole 2: 0,20 ~ 1,4mm

### Dimension (mm)



## Ordering Code table

Order Code	A			
A01	4,8			
A02	6,4			
A03	7,9			
A04	9,5			
A05	11,1			
A06	12,7			
A07	15,9			
A08	19,1			
A09	22,2			
A10	25,4			
A11	28,6			
A12	31,7			
A13	34,9			
A14				
A15				
A16				
A17				
A18				
A19				
A20				
A21				
A22				
A23				
A24				
A25				
A26				
A27				

**Arrow Locking Circuit  
Board Spacer**

Part No.: **N17032**

Customer:

DRW:	Jason	CHKD	Wilson	MATL:	Wilson	TOLERANCE	Mason	DATE	04.02.2013
APPD:	Schumi			FINISH	Jamy		Sheet No.	1 from 2	

# EDCON-COMPONENTS



## Ordering Informations

Serie	Order Code table	Material	Color	ROHS	Packing					
<b>N17032</b>	<b>A01</b>	<b>NY</b>	<b>WH</b>	<b>R</b>	<b>BU</b>					

<b>A01=</b> Length	<b>NY=</b> Nylon	<b>WH=</b> White	<b>R=</b> ROHS Conform	<b>BU=</b> Bulk-Ware					
			<b>N=</b> NON ROHS Conform	<b>IV=</b> Individual Packing					

<b>Arrow Locking Circuit Board Spacer</b>	
Part No.:	<b>N17032</b>
Customer:	

DRW:	Jason	CHKD	Wilson	MATL:	Wilson	TOLERANCE	Mason	DATE	04.02.2013
APPD:	Schumi			FINISH	Jamy			Sheet No.	2 from 2