

# EDCON-COMPONENTS



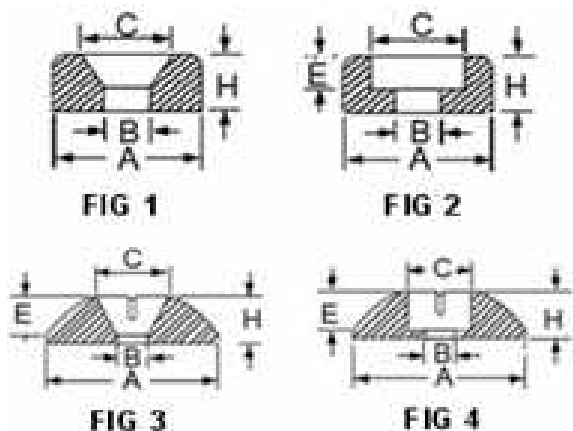
## Technical Informations

Material: NYLON 66  
 Flame Class: UL 94V-2 / V0  
 Color: Black  
 Temperature Range: . -40°C ~ +85°C

## Ordering Code table

Order Code	Size	A	B	C	E	H	Fig
A01	M2,5	6,8	2,7	5,0		2,0	1
A02	M3	8,5	3,2	6,0		2,2	1
A03	M4	10,5	4,3	8,0		2,8	1
A04	M5	12,7	5,3	10,0		3,4	1
A05	M6	15,0	6,4	12,0		4,0	1
A06	M8	20,0	8,4	16,0		5,0	1
A07	M2,5	6,8	2,7	5,0	1,0	2,0	2
A08	M3	6,5	3,2	5,5	1,1	3,4	2
A09	M3	8,5	3,2	6,0	1,2	3,4	2
A10	M4	10,5	4,3	8,0	1,7	2,8	2
A11	M5	12,7	5,3	10,0	2,2	3,4	2
A12	M6	12,7	6,4	10,0	2,1	3,4	2
A13	M6	15,0	6,4	12,0	1,3	4,0	2
A14	M6	15,0	6,4	12,0	2,7	4,0	2
A15	M8	20,0	8,4	16,0	3,5	5,0	2
A16	M3	14,0	3,2	7,0		2,9	3
A17	M4	16,0	4,3	9,0		3,5	3
A18	M5	14,0	5,3	18,0		3,8	3
A19	M5	18,0	5,3	11,0		4,5	3
A20	M6	22,0	6,4	13,0		4,5	3
A21	M3	14,0	3,2	5,5	1,7	2,8	4
A22	M4	16,0	4,3	7,0	2,3	3,5	4
A23	M5	18,0	5,3	8,5	2,7	4,0	4
A24	M6	22,0	6,4	10,0	3,5	4,9	4
A25							
A26							
A27							

## Dimension (mm)



<b>Flat Washer</b>	
Part No.:	<b>N14204</b>
Customer:	

DRW:	Jason	CHKD	Wilson	MATL:	Wilson	TOLERANCE	Mason	DATE	01.02.2013
APPD:	Schumi			FINISH	Jamy		Sheet No.		1 from 3

# EDCON-COMPONENTS



## Ordering Code table

Order Code	Size	A	B	C	E	H	Fig
A28							
A29							
A30							
A31							
A32							
A33							
A34							
A35							
A36							
A37							
A38							
A39							
A40							
A41							
A42							
A43							
A44							
A45							
A46							
A47							
A48							
A49							
A50							
A51							
A52							
A53							
A54							

<b>Flat Washer</b>	
Part No.:	<b>N14204</b>
Customer:	

DRW:	Jason	CHKD	Wilson	MATL:	Wilson	TOLERANCE	Mason	DATE	01.02.2013
APPD:	Schumi			FINISH	Jamy		Sheet No.		2 from 3

# EDCON-COMPONENTS



## Ordering Informations

Serie	Order Code	Material	Color	ROHS	Packing					
<b>N14204</b>	<b>A01</b>	<b>NY</b>	<b>BK</b>	<b>R</b>	<b>BU</b>					

<b>A01</b> = Look orde table	<b>NY</b> = Nylon 66	<b>BK</b> = Black	<b>R</b> = ROHS Conform	<b>BU</b> = Bulk-Ware			
			<b>N</b> = NON ROHS Conform	<b>IV</b> = Individual Packing			

<b>Flat Washer</b>	
Part No.:	<b>N14204</b>
Customer:	

DRW:	Jason	CHKD	Wilson	MATL:	Wilson	TOLERANCE	Mason	DATE	01.02.2013
APPD:	Schumi			FINISH	Jamy			Sheet No.	3 from 3