

EDCON-COMPONENTS



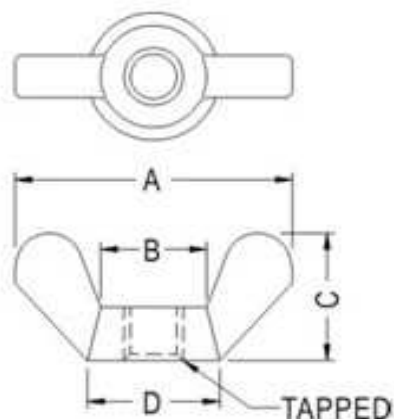
Technical Informations

Material: Nylon 66
 Flame Class: UL 94V-2
 Color: Natural
 Temperature Range: -40°C ~ +85°C

Ordering Code table

| Order Code | Thread | A | B | C | D | | |
|------------|--------|------|------|------|------|--|--|
| A01 | M3 | 16,0 | 5,0 | 8,0 | 6,4 | | |
| A02 | M4 | 25,0 | 8,0 | 12,0 | 10,0 | | |
| A03 | M5 | 25,0 | 8,0 | 12,0 | 10,0 | | |
| A04 | M6 | 31,5 | 10,0 | 16,0 | 12,0 | | |
| A05 | | | | | | | |
| A06 | | | | | | | |
| A07 | | | | | | | |
| A08 | | | | | | | |
| A09 | | | | | | | |
| A10 | | | | | | | |
| A11 | | | | | | | |
| A12 | | | | | | | |
| A13 | | | | | | | |
| A14 | | | | | | | |
| A15 | | | | | | | |
| A16 | | | | | | | |
| A17 | | | | | | | |
| A18 | | | | | | | |
| A19 | | | | | | | |
| A20 | | | | | | | |
| A21 | | | | | | | |
| A22 | | | | | | | |
| A23 | | | | | | | |
| A24 | | | | | | | |
| A25 | | | | | | | |
| A26 | | | | | | | |
| A27 | | | | | | | |

Dimension (mm)



Metric Wing Nut

Part No.: **N14183**

Customer:

| | | | | | | | | | |
|-------|--------|------|--------|--------|--------|-----------|-----------|------|------------|
| DRW: | Jason | CHKD | Wilson | MATL: | Wilson | TOLERANCE | Mason | DATE | 31.01.2013 |
| APPD: | Schumi | | | FINISH | Jamy | | Sheet No. | | 1 from 1 |

EDCON-COMPONENTS



Ordering Informations

| | | | | | | | | | | |
|---------------|------------|-----------|-----------|----------|-----------|--|--|--|--|--|
| Serie | Order Code | Material | Color | ROHS | Packing | | | | | |
| N14183 | A01 | NY | WH | R | BU | | | | | |

| | | | | | | | |
|--------------------|------------------|------------------|----------------------------|-------------------------------|--|--|--|
| A01= Length | NY= Nylon | WH= White | R= ROHS Conform | BU= Bulk-Ware | | | |
| | | | N= NON ROHS Conform | IV= Individual Packing | | | |
| | | | | | | | |
| | | | | | | | |
| | | | | | | | |
| | | | | | | | |
| | | | | | | | |
| | | | | | | | |
| | | | | | | | |
| | | | | | | | |
| | | | | | | | |

| | |
|------------------------|---------------|
| Metric Wing Nut | |
| Part No.: | N14183 |
| Customer: | |

| | | | | | | | | | |
|-------|--------|------|--------|--------|--------|-----------|-------|-----------|------------|
| DRW: | Jason | CHKD | Wilson | MATL: | Wilson | TOLERANCE | Mason | DATE | 31.01.2013 |
| APPD: | Schumi | | | FINISH | Jamy | | | Sheet No. | 2 from 2 |