

EDCON-COMPONENTS



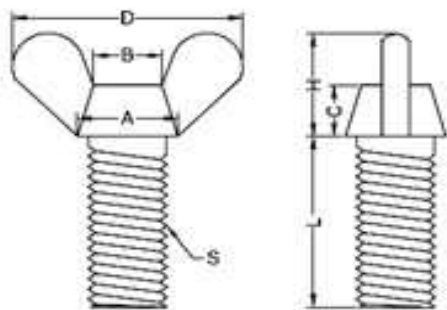
Technical Informations

Material: Nylon 66
 Flame Class: UL 94V-2
 Color: Natural
 Temperature Range: -40°C ~ +85°C

Ordering Code table

Order Code	S	L	A	B	C	D	H
A01	M3	6,0	5,0	4,0	3,0	16,0	8,0
A02	M3	8,0	5,0	4,0	3,0	16,0	8,0
A03	M3	10,0	5,0	4,0	3,0	16,0	8,0
A04	M3	12,0	5,0	4,0	3,0	16,0	8,0
A05	M4	6,0	6,0	7,0	4,0	20,0	10,0
A06	M4	8,0	6,0	7,0	4,0	20,0	10,0
A07	M4	10,0	6,0	7,0	4,0	20,0	10,0
A08	M4	12,0	6,0	7,0	4,0	20,0	10,0
A09	M5	15,0	11,0	7,5	6,0	24,8	12,0
A10	M5	20,0	11,0	7,5	6,0	24,8	12,0
A11	M5	25,0	11,0	7,5	6,0	24,8	12,0
A12	M6	15,0	11,00	9,5	8,0	31,5	16,0
A13	M6	20,0	11,00	9,5	8,0	31,5	16,0
A14	M6	25,0	11,00	9,5	8,0	31,5	16,0
A15							
A16							
A17							
A18							
A19							
A20							
A21							
A22							
A23							
A24							
A25							
A26							
A27							

Dimension (mm)



Metric Wing Head Screw

Part No.: **N14182**

Customer:

DRW:	Jason	CHKD	Wilson	MATL:	Wilson	TOLERANCE	Mason	DATE	31.01.2013
APPD:	Schumi			FINISH	Jamy		Sheet No.		1 from 1

EDCON-COMPONENTS



Ordering Informations

Serie	Order Code	Material	Color	ROHS	Packing					
N14182	A01	NY	WH	R	BU					

A01= Length	NY= Nylon	WH= White	R= ROHS Conform	BU= Bulk-Ware			
			N= NON ROHS Conform	IV= Individual Packing			

Metric Wing Head Screw	
Part No.:	N14182
Customer:	

DRW:	Jason	CHKD	Wilson	MATL:	Wilson	TOLERANCE	Mason	DATE	31.01.2013
APPD:	Schumi			FINISH	Jamy			Sheet No.	2 from 2