

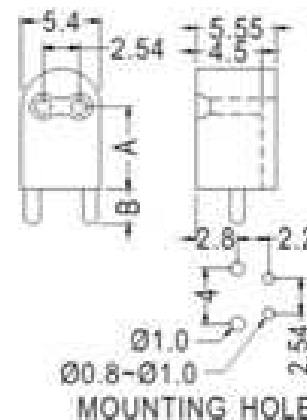
# EDCON-COMPONENTS



## Technical Informations

Material: Nylon 66 (UL)  
 Flame Class: 94V-2  
 Color: Black or Natural  
 Temperature Range: -40°C ~ +85°C

## Dimension (mm)



Dimension		
Order Code	A	B
A01	3,0	2,9
A02	4,5	2,5
A03	6,0	2,5
A04	7,0	2,5
A05	9,0	2,9
A06	10,0	2,9

<b>LED-Holder Right angle</b>	
Part No.:	<b>N13053</b>
Customer:	

DRW:	Jason	CHKD	Wilson	MATL:	Wilson	TOLERANCE	Mason	DATE	28.01.2013
APPD:	Schumi			FINISH	Jamy		Sheet No.	1 from 1	

# EDCON-COMPONENTS



## Ordering Informations

Serie	Colour	Order Code	ROHS	Packing	Individual Customer					
<b>N13053</b>	<b>NA</b>	<b>A01</b>	<b>R</b>	<b>BU</b>						

<b>NA=</b> Natural	<b>A01=</b> Height	<b>R=</b> ROHS Conform	<b>BU=</b> Bulk-Ware
<b>BK=</b> Black		<b>N=</b> NON ROHS Conform	<b>IV=</b> Individual

<b>LED-Holder Right angle</b>
Part No.: <b>N13053</b>
Customer:

DRW:	Jason	CHKD	Wilson	MATL:	Wilson	TOLERANCE	Mason	DATE	28.01.2013
APPD:	Schumi			FINISH	Jamy		Sheet No.	2 from 2	