

# EDCON-COMPONENTS



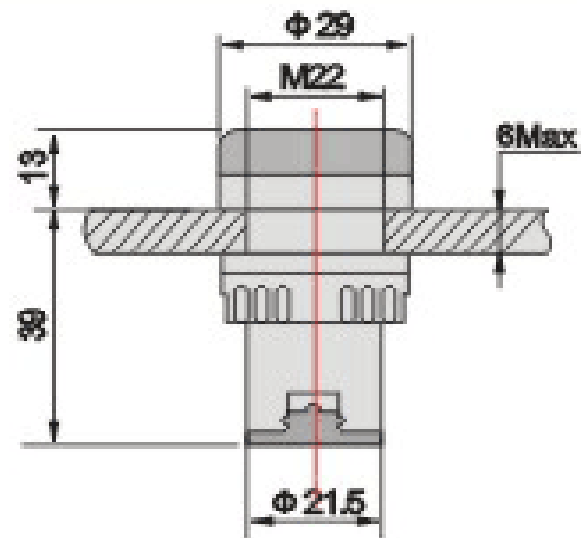
## Technical Discription

Cap Color: Red, Green, Blue, Yellow, White

LED Lamp Voltage:AC/DC 6V, 12V, 24V, 36V, 48V, 110V, 127V

LED Lamp Voltage:AC 220V, 380V

## Drawing



### Indicator Lamp

Part No.:

Customer:

DRW:	Jason	CHKD	Wilson	MATL:	Wilson	TOLERANCE	Mason	DATE	12.08.2014
APPD:	Schumi			FINISH	Jamy		Sheet No.	1 from 2	

# EDCON-COMPONENTS



## Ordering Informations

### Terminal

Serie	Lamp Cap Color	LED Lamp Voltage	Special function	ROHS	Packing
M34001	RD	21	XX	R	BU

<b>RD=</b> Red Color	<b>21=</b> AC/DC 6Volt	<b>XX=</b> No Special function	<b>R=</b> ROHS Conform	<b>BU=</b> Bulk- Ware into Cartoon
<b>GN=</b> Green Color	<b>22=</b> AC/DC 12Volt		<b>N=</b> NON ROHS Conform	
<b>BL=</b> Blue Color	<b>23=</b> AC/DC 24Volt		<b>IV=</b> Individual Packing	
<b>YE=</b> Yellow Color	<b>24=</b> AC/DC 36Volt			
<b>WH=</b> White Color	<b>25=</b> AC/DC 48Volt			
	<b>26=</b> AC/DC 110Volt			
	<b>27=</b> AC/DC 127Volt			
	<b>31=</b> AC 220Volt			
	<b>32=</b> AC 380Volt			

### Indicator Lamp

Part No.: **M34001**

DRW:	Jason	CHKD	Wilson	MATL:	Wilson	TOLERANCE	Mason	DATE	12.08.2014	Customer:
APPD:	Schumi			FINISH	Jamy		Sheet No.		2 from 2	