



THT LED

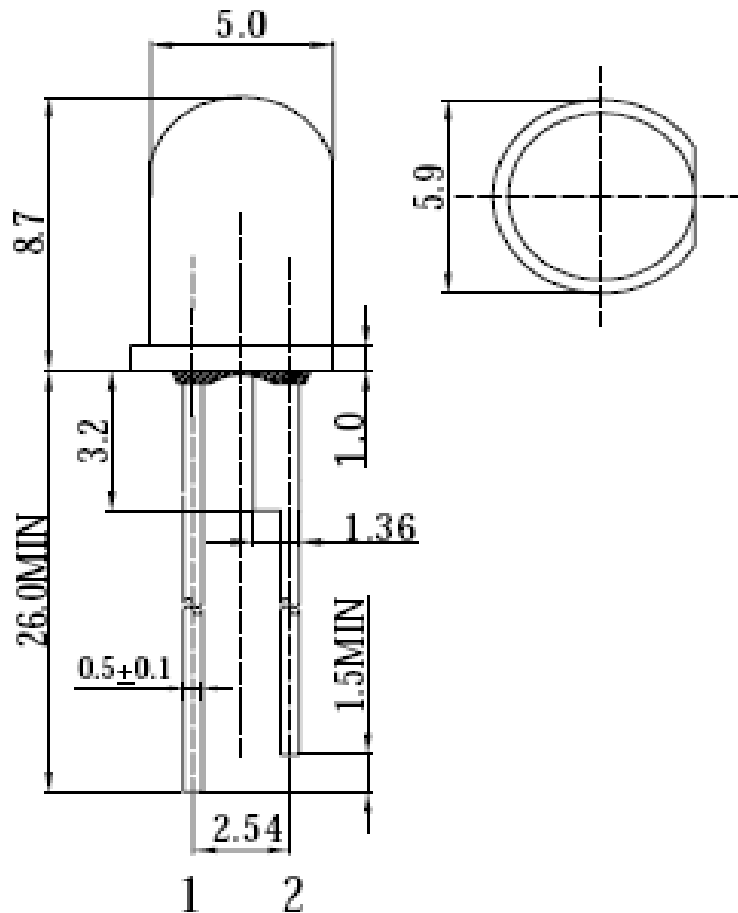
Features

- High Luminous LED
- Long Lifetime Operation
- Superior Weather-resistance
- UV Resistant Epoxy
- Water Clear Type

Applications

- Automotive Dashboard Lighting
- Small Area Illuminations
- Back Lighting
- Other Lighting

Outline Dimension (mm)



Note :

- 1 : Anode
- 2 : Cathode
- Tolerance : $\pm 0,3\text{mm}$

**5 mm Round LED
 AMBER**

Part No.: **M13A3105**

Customer:

DRW:	Jason	CHKD	Jules	MATL:	Wu	DATE	24.06.2014
APPD:	Join			FINISH	Shieh	Sheet	1 from 5



THT LED

Absolute Maximum Rating

(Ta=25°C)

Item	Symbol	Value	Unit
DC Forward Current	I _F	50	mA
Pulse Forward Current	I _{FP}	100	mA
Reverse Voltage	V _R	5	V
Power Dissipation	P _D	130	mW
Operating Temperature	T _{opr}	-40 ~ +85	°C
Storage Temperature	T _{stg}	-40 ~ +100	°C
Lead Soldering Temperature	T _{sol}	260°C / 5 sec	---

* Pulse width Max.10ms , Duty ratio max 1/10

Electrical-Optical Characteristics

(Ta=25°C)

Item	Symbol	Condition	Min.	Typ.	Max.	Unit
DC Forward Voltage	V _F	I _F =20mA	1,8	2,1	2,6	V
DC Reverse Current	I _R	V _R =5V	---	---	10	μA
Luminous Intensity	I _v	I _F =20mA	14400	18000	---	mcd
Color Temperature	CCT	I _F =20mA	---	---	---	K
Chromaticity Coordinates	x	I _F =20mA	---	---	---	
	y	I _F =20mA	---	---	---	
50% Power Angle	2 1/2	I _F =20mA	---	15	---	deg

* Tolerance of chromaticity coordinates is +10%

* Tolerance of luminous intensity is +15%

**5 mm Round LED
 AMBER**

Part No.: **M13A3105**

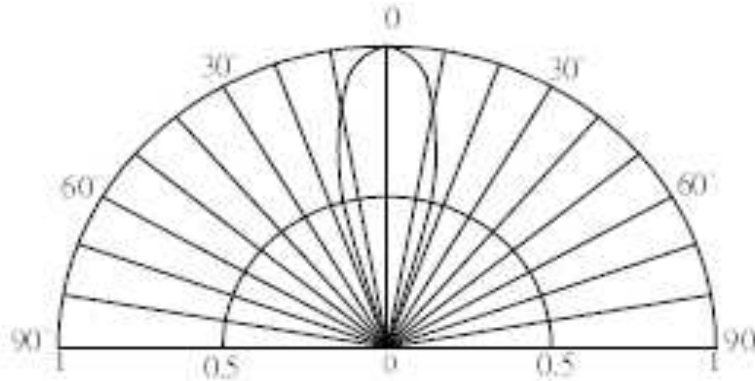
Customer:

DRW:	Jason	CHKD	Jules	MATL:	Wu	DATE	24.06.2014
APPD:	Join			FINISH	Shieh	Sheet	2 from 5



THT LED

Directivity



**5 mm Round LED
AMBER**

Part No.: **M13A3105**

Customer:

DRW:	Jason	CHKD	Jules	MATL:	Wu	DATE	24.06.2014
APPD:	Join			FINISH	Shieh	Sheet	3 from 5



THT LED

Packing Specification

Antistatic Polybag



**5 mm Round LED
 AMBER**

Part No.: **M13A3105**

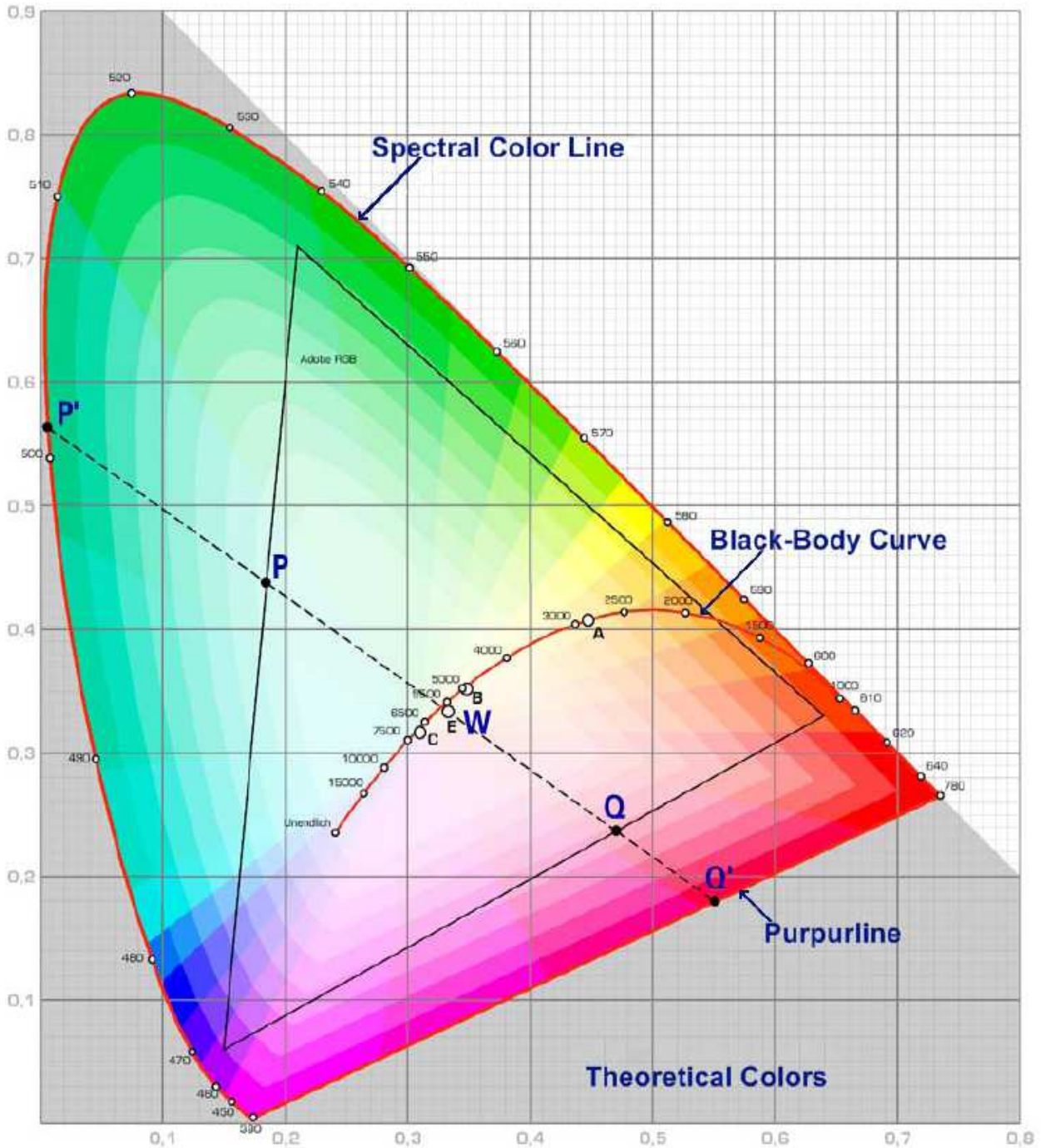
Customer:

DRW:	Jason	CHKD	Jules	MATL:	Wu	DATE	24.06.2014
APPD:	Join			FINISH	Shieh	Sheet	4 from 5



THT LED

Color table curve



**5 mm Round LED
 AMBER**

Part No.: **M13A3105**

Customer:

DRW:	Jason	CHKD	Jules	MATL:	Wu	DATE	24.06.2014
APPD:	Join			FINISH	Shieh	Sheet	5 from 5