



THT LED

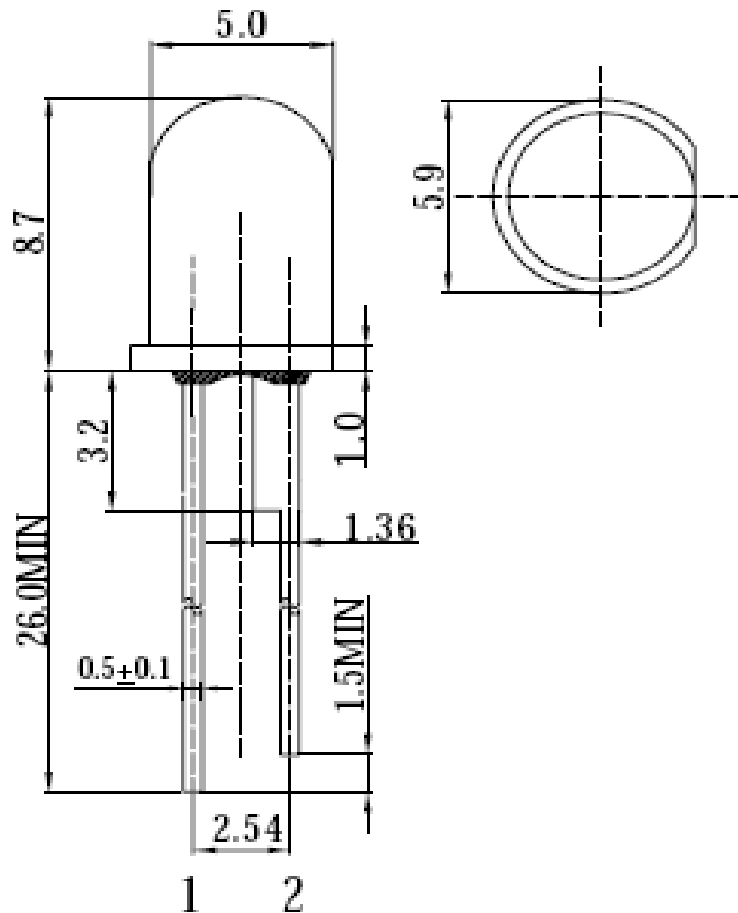
Features

- High Luminous LED
- Long Lifetime Operation
- Superior Weather-resistance
- UV Resistant Epoxy
- Water Clear Type

Applications

- Automotive Dashboard Lighting
- Small Area Illuminations
- Back Lighting
- Other Lighting

Outline Dimension (mm)



Note :

- 1 : Anode
- 2 : Cathode
- Tolerance : $\pm 0,3\text{mm}$

5 mm Round LED
Cool White

Part No.: **M13A3103**

Customer:

DRW:	Jason	CHKD	Jules	MATL:	Wu	DATE	09.09.2013
APPD:	Join			FINISH	Shieh	Sheet	1 from 5



THT LED

Absolute Maximum Rating

(Ta=25°C)

Item	Symbol	Value	Unit
DC Forward Current	I _F	30	mA
Pulse Forward Current	I _{FP}	100	mA
Reverse Voltage	V _R	5	V
Power Dissipation	P _D	108	mW
Operating Temperature	T _{opr}	-30 ~ +85	°C
Storage Temperature	T _{stg}	-40 ~ +100	°C
Lead Soldering Temperature	T _{sol}	260°C / 5 sec	---

* Pulse width Max.10ms , Duty ratio max 1/10

Electrical-Optical Characteristics

(Ta=25°C)

Item	Symbol	Condition	Min.	Typ.	Max.	Unit
DC Forward Voltage	V _F	I _F =20mA	2,9	3,1	3,6	V
DC Reverse Current	I _R	V _R =5V	---	---	10	μA
Luminous Intensity	I _v	I _F =20mA	18000	22000	---	mcd
Color Temperature	CCT	I _F =20mA	---	---	---	K
Chromaticity Coordinates	x	I _F =20mA	---	0,27	---	
	y	I _F =20mA	---	0,28	---	
50% Power Angle	2 1/2	I _F =20mA	---	30	---	deg

* Tolerance of chromaticity coordinates is +10%

* Tolerance of luminous intensity is +15%

5 mm Round LED
Cool White

Part No.: **M13A3103**

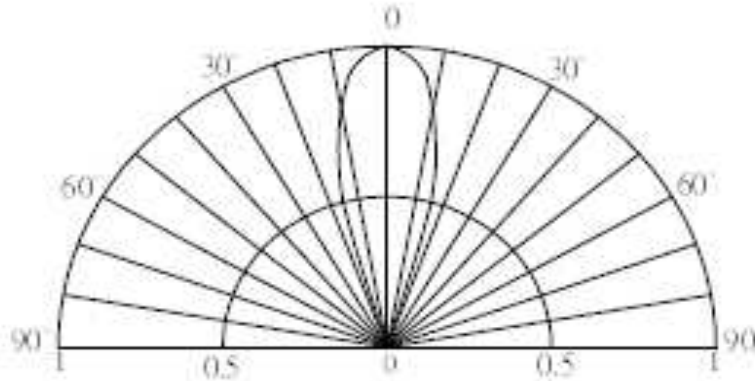
Customer:

DRW:	Jason	CHKD	Jules	MATL:	Wu	DATE	09.09.2013
APPD:	Join			FINISH	Shieh	Sheet	2 from 5



THT LED

Directivity



5 mm Round LED
Cool White

Part No.: **M13A3103**

Customer:

DRW:	Jason	CHKD	Jules	MATL:	Wu	DATE	09.09.2013
APPD:	Join			FINISH	Shieh	Sheet	3 from 5



THT LED

Packing Specification

Antistatic Polybag



5 mm Round LED
Cool White

Part No.: **M13A3103**

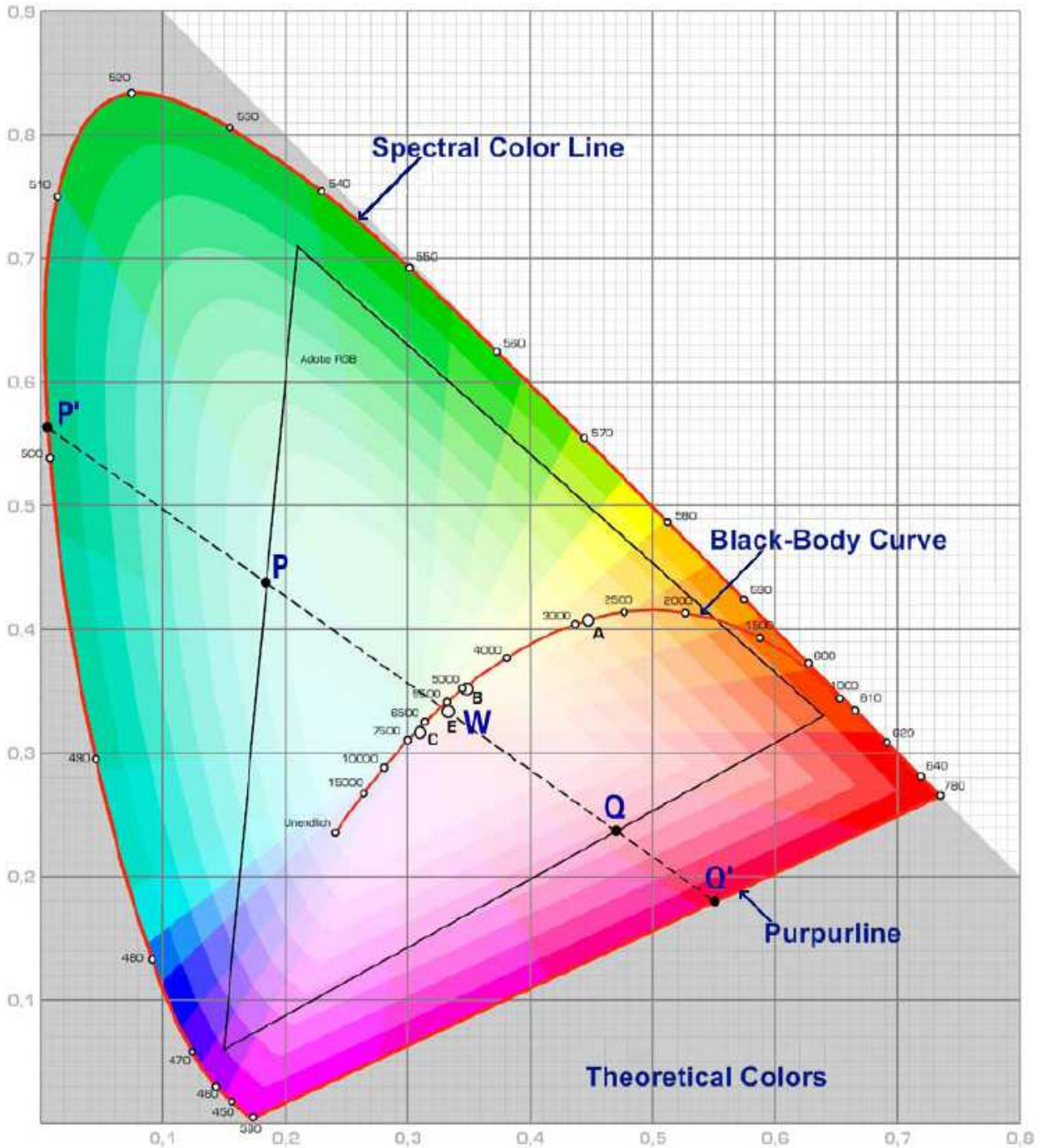
Customer:

DRW:	Jason	CHKD	Jules	MATL:	Wu	DATE	09.09.2013
APPD:	Join			FINISH	Shieh	Sheet	4 from 5



THT LED

Color table curve



5 mm Round LED
Cool White

Part No.: **M13A3103**

Customer:

DRW:	Jason	CHKD	Jules	MATL:	Wu	DATE	09.09.2013
APPD:	Join			FINISH	Shieh	Sheet	5 from 5