

EDCON-COMPONENTS



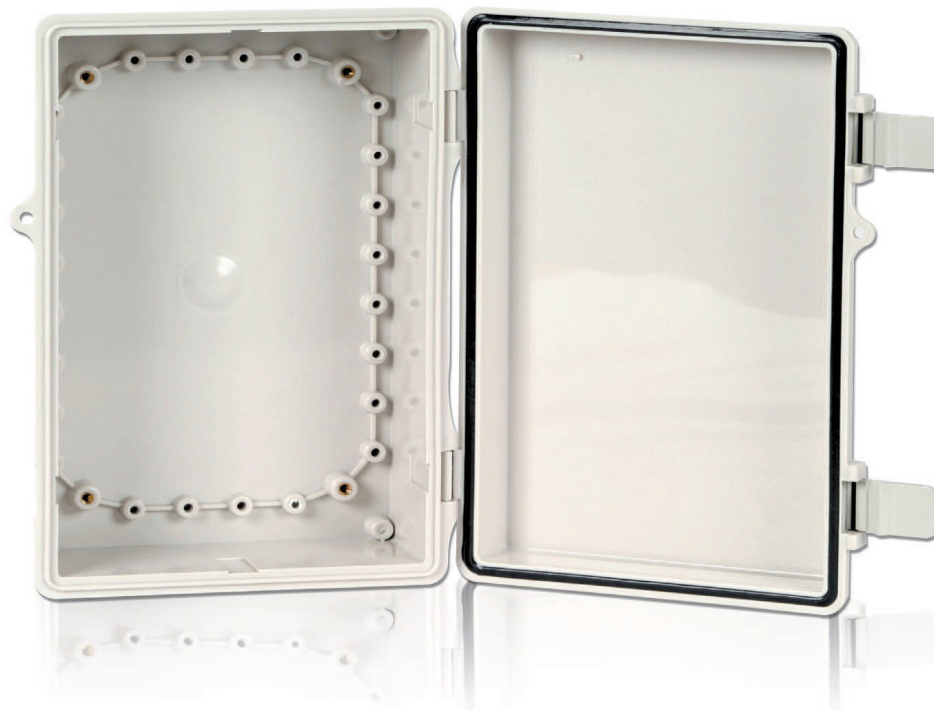
Technical Discription

Temperature Range:	ABS= -40°C ~ +80°C
Protection Degree	IP66

►It is a plastic box with a cicada-shaped hinge type and is easier to work than steel hinge type In addition, it has a good exterior and excellent workability.

►It uses strong plastic hinge and a cicadashaped buckle and is not corroded. In addition, it is easy to manipulate. That is why lots of customers prefer it.

►It can be used for various purposes such as small terminal box, signal device, terminal, pull box for lighting, environmental pollution prevention facility, housing facility and various sizes are avialable



Sealed Plastic Enclosure Serie Hinge01	
Part No.:	H37026
Customer:	

DRW:	Jason	CHKD	Wilson	MATL:	Wilson	TOLERANCE	Mason	DATE	19.02.2019
APPD:	Schumi			FINISH	Jamy		Sheet No.		1 from 3

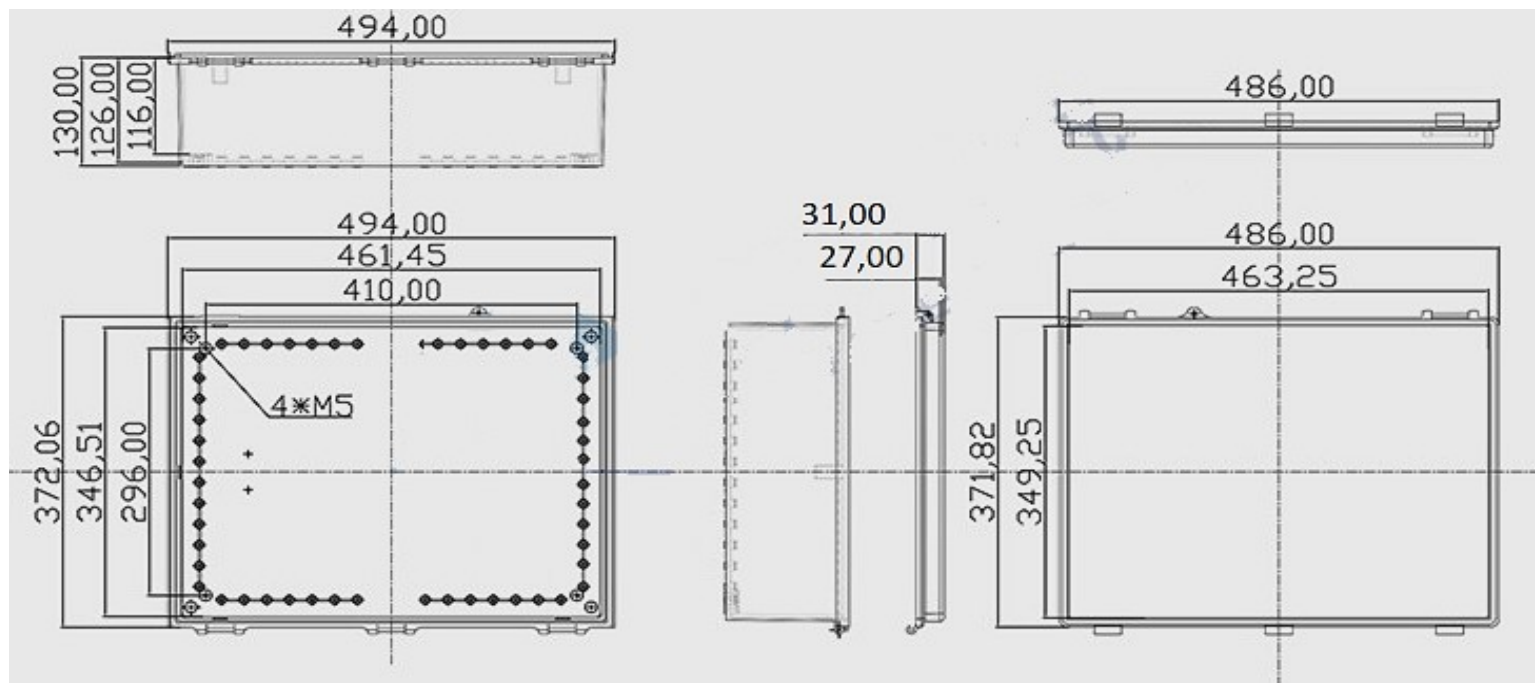
www.edcon-components.com

email: info@edcon-components.com

EDCON-COMPONENTS



Technical Drawing



**Sealed Plastic Enclosure
Serie Hinge01**

Part No.: **H37026**

DRW:	Jason	CHKD	Wilson	MATL:	Wilson	TOLERANCE	Mason	DATE	19.02.2019	Customer:
APPD:	Schumi			FINISH	Jamy		Sheet No.	2 from 3		

www.edcon-components.com

email: info@edcon-components.com

EDCON-COMPONENTS



Ordering Informations

Serie	Size Order Code	Material Base	Color Base	Material Cover	Color Cover	Special function	Special function	Special function	ROHS	Packing
-------	-----------------	---------------	------------	----------------	-------------	------------------	------------------	------------------	------	---------

H37026	-	AXX	A	G	A	B	N	N	N	R	S
---------------	----------	------------	----------	----------	----------	----------	----------	----------	----------	----------	----------

A01= Size like table	A= ABS	G= Gray	A= ABS	B= Beige	N= No special function	N= No special function	N= No special function	R= ROHS Conform	S= Standard Packing
	P= Polycar - bonat	L= Light Gray	P= Polycar - bonat					N= NON ROHS Conform	I= Individual Packing

Sealed Plastic Enclosure Serie Hinge01
Part No.: H37026
Customer:

DRW:	Jason	CHKD	Wilson	MATL:	Wilson	TOLERANCE	Mason	DATE	19.02.2019
APPD:	Schumi			FINISH	Jamy		Sheet No.	3 from 3	