



DATA SHEET

Wire Batteryholder for One 14250 CELL

Serie: B44036

**Wire Batteryholder for
One 14250 CELL**

Serie No.: **B44036**

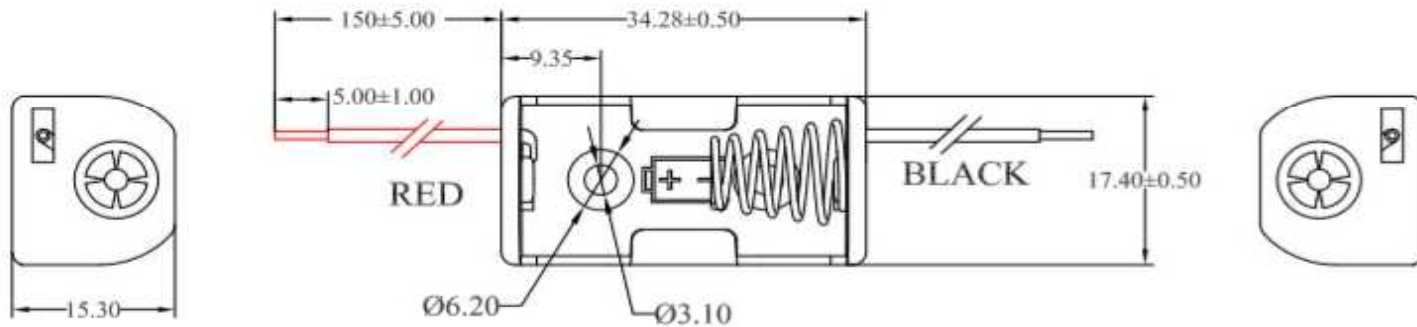
Customer:

DRW:	Jason	CHKD	Wilson	MATL:	Wilson	TOLERANCE	Mason	DATE	19.04.2022
APPD:	Schumi			FINISH	Jamy		Sheet No.		1 from 5



Technical Description

Connecting Type:	Wire Leads
Base Material:	PP, Resin
Base Colour	Black
Flammability Rating:	UL94HB or Custom Made
Contact:	304 Stainless Steel Spring, Nickel Plated
Wire Voltage:	300V / 80°C
Spring:	0,64mm ² 65C Spring Wire, Nickel Plated
Rivet:	Brass, Nickel Plated
Wire size:	UL1007 AWG 24, L= 150mm +/- 5mm
Temperature Range:	.-10°C to + 100°C



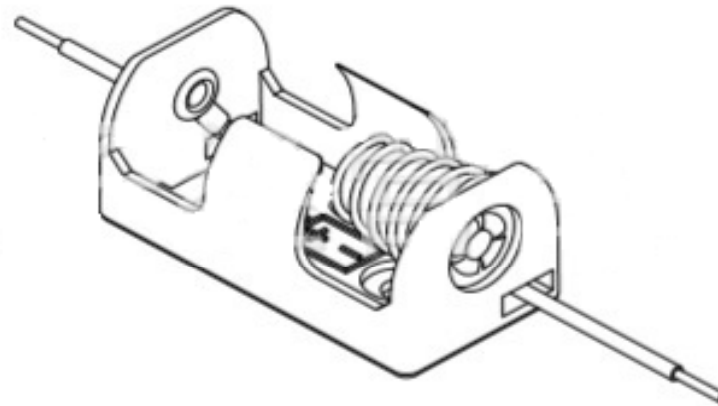
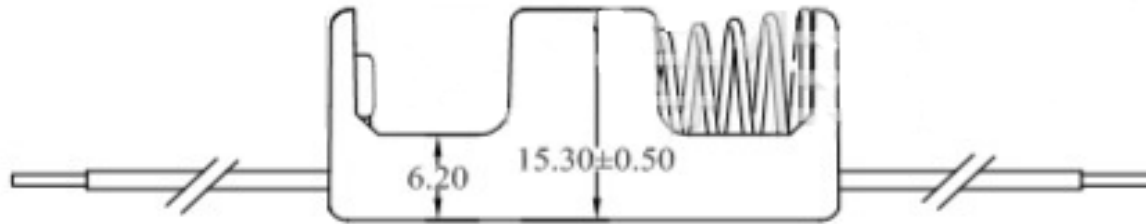
**Wire Batteryholder for
One 14250 CELL**

Part No.: **B44036**

DRW:	Jason	CHKD	Wilson	MATL:	Wilson	TOLERANCE	Mason	DATE	19.04.2022
APPD:	Schumi			FINISH	Jamy		Sheet No.		2 from 5

Customer:

EDCON-COMPONENTS



**Wire Batteryholder for
One 14250 CELL**

Part No.: **B44036**
Customer:

DRW:	Jason	CHKD	Wilson	MATL:	Wilson	TOLERANCE	Mason	DATE	20.05.2014
APPD:	Schumi			FINISH	Jamy		Sheet No.	3 from 5	

EDCON-COMPONENTS



Ordering Informations

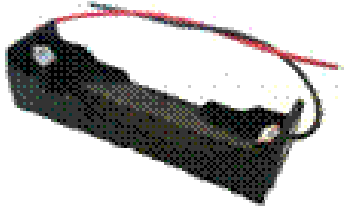
Customer	Type of Holder	Wire length	Special function	ROHS	Packing Code					
----------	----------------	-------------	------------------	------	--------------	--	--	--	--	--

B44036	-	WW	151	N	R	TY				
---------------	---	-----------	------------	----------	----------	-----------	--	--	--	--

WW = wire Type	151= 150mm		R= ROHS Conform	TY= Tray Package
	N= No special function	N= No special function	N= NON ROHS Conform	

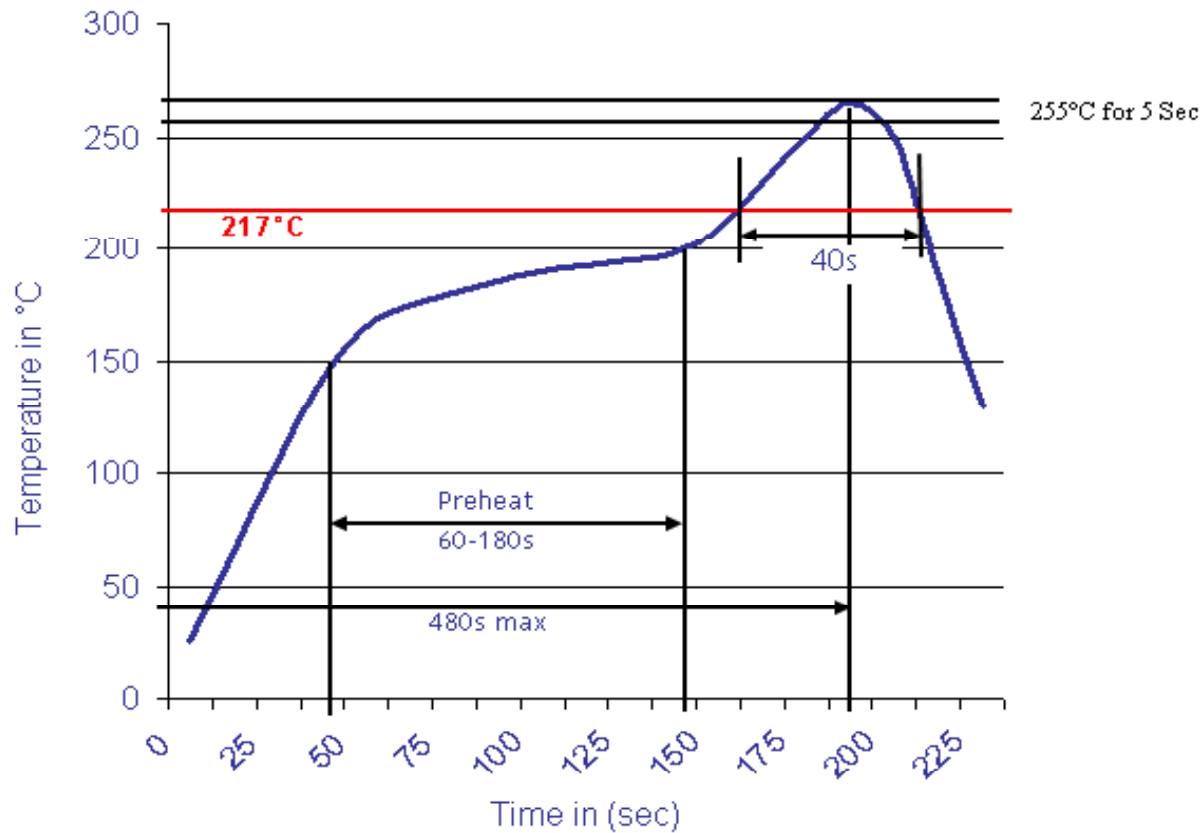
Wire Batteryholder for One 14250 CELL	
Part No.:	B44036
Customer:	

DRW:	Jason	CHKD	Wilson	MATL:	Wilson	TOLERANCE	Mason	DATE	19.04.2022
APPD:	Schumi			FINISH	Jamy		Sheet No.	4 from 5	



Soldering Profile Curve

Classification Reflow Profile (JEDEC J-STD-020C)



**Wire Batteryholder for
One 14250 CELL**

Part No.: **B44036**
Customer:

DRW:	Jason	CHKD	Wilson	MATL:	Wilson	TOLERANCE	Mason	DATE	19.04.2022
APPD:	Schumi			FINISH	Jamy		Sheet No.	5 from 5	