



Technical Specifications

Characteristics: (23°C +/- 2°C)

Nominal Capacity:
 Nominal Voltage:
 Max. constant current:

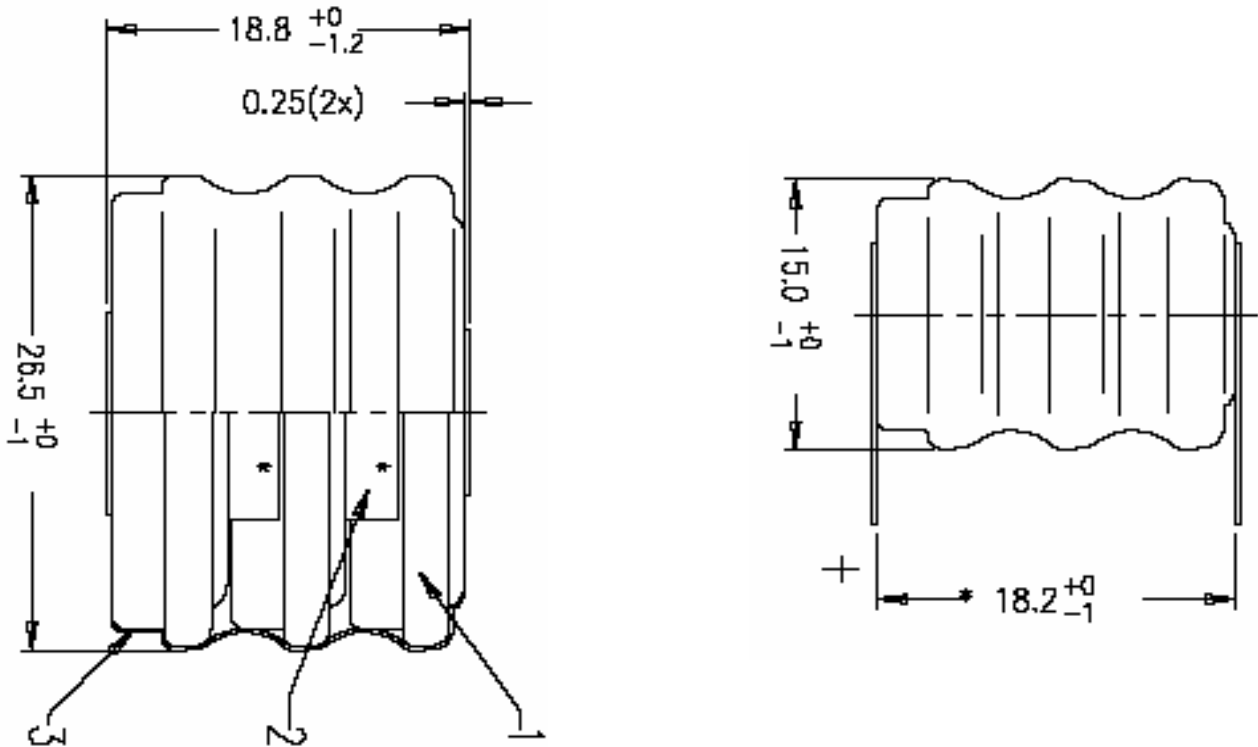
Informations:

NI-MH
 3,0V
 150mA

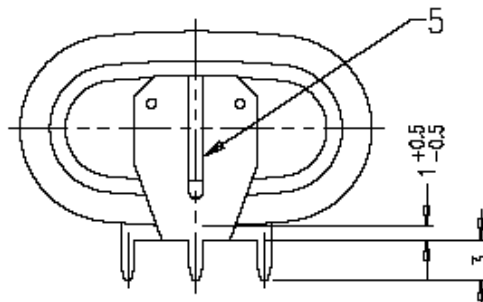
Volume:

Diameter 15,0x26,5mm/Length: 18,8mm

Drawing



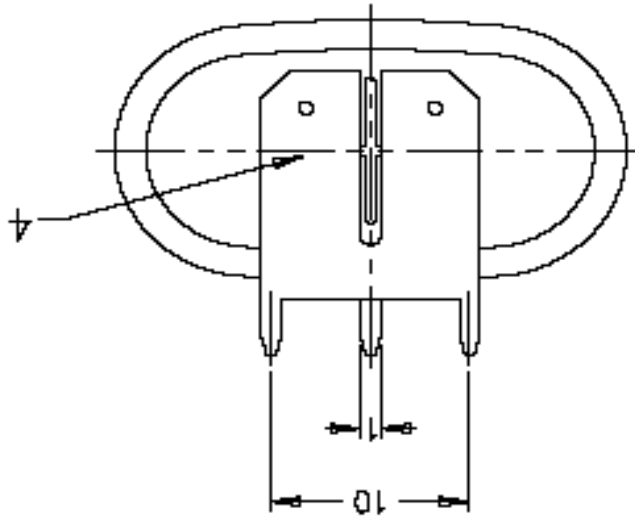
Terminations



NI-MH Cell 3,0 Volt	
Part No.:	B40027
Customer:	

DRW:	Jason	CHKD	Jules	MATL:	Wu	DATE	24.10.2011
APPD:	Join			FINISH	Shieh	Sheet	1 from 2

Copyright by EDCON-COMPONENTS



Ordering Information

Serie	Terminations	ROHS	Packing			
-------	--------------	------	---------	--	--	--

B40027	N	R	TY			
---------------	----------	----------	-----------	--	--	--

N = Standard w/o	R = ROHS Conform	TY = Tray Package
PT31 = Radial Pins		

NI-MH Cell 3,0 Volt	
Part No.:	B40027
Customer:	

DRW:	Jason	CHKD	Jules	MATL:	Wu	DATE	24.10.2011
APPD:	Join			FINISH	Shieh	Sheet	2 from 2