

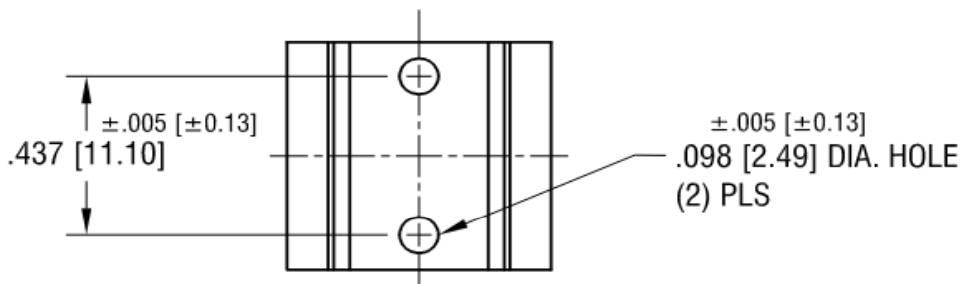
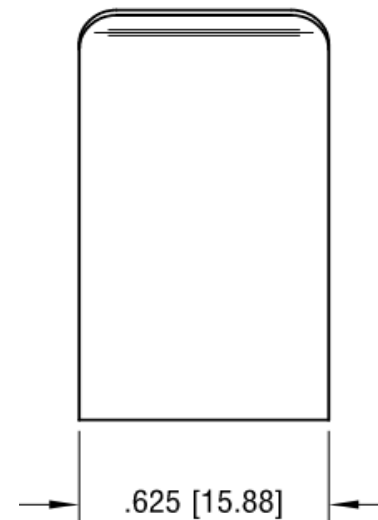
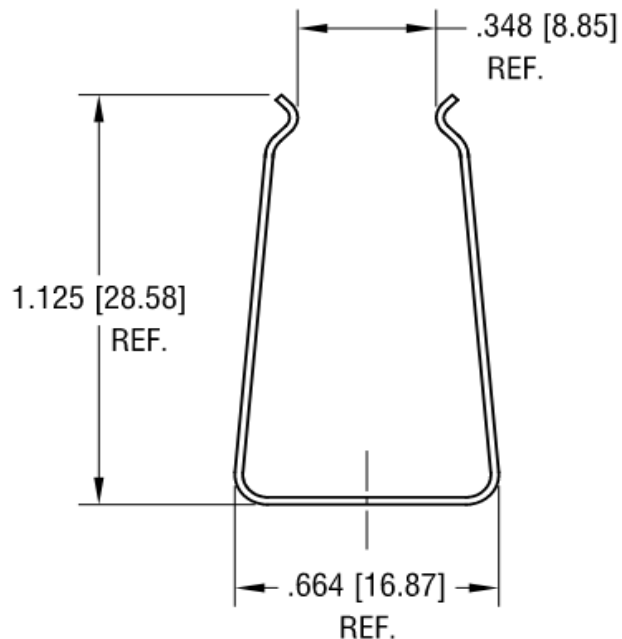
# EDCON-COMPONENTS



Drawing inch / mm

**Note**

Material: Aluminium  
 Thickness: 0.020 / 0,50inch/mm



Tolerances  
 Inch .+/-0,01  
 mm .+/-0,25  
 Angle .+/-2°

<b>PCB 9V- Battery Holder</b>	
Part No.:	<b>B38046</b>
Customer:	

Unless otherwise specified

DRW:	Jason	CHKD	Wilson	MATL:	Wilson	TOLERANCE	Mason	DATE	19.09.2021
APPD:	Schumi			FINISH	Jamy		Sheet No.		1 from 2

[www.edcon-components.com](http://www.edcon-components.com)

email: [info@edcon-components.com](mailto:info@edcon-components.com)

# EDCON-COMPONENTS



## Ordering Informations

PCB Layout inch/mm 20~21mm Battery-Clip

Serie	Special function	Special Code	ROHS	Packing	
-------	------------------	--------------	------	---------	--

<b>B38046</b>	<b>N</b>	<b>N</b>	<b>R</b>	<b>BU</b>	
---------------	----------	----------	----------	-----------	--

<b>N=</b> No special function	<b>N=</b> No special function	<b>R=</b> ROHS Conform	<b>BU=</b> Bulk-Ware

<b>PCB 9V- Battery Holder</b>
Part No.: <b>B38046</b>
Customer:

DRW:	Jason	CHKD	Wilson	MATL:	Wilson	TOLERANCE	Mason	DATE	19.09.2021
APPD:	Schumi			FINISH	Jamy		Sheet No.	2 from 2	