

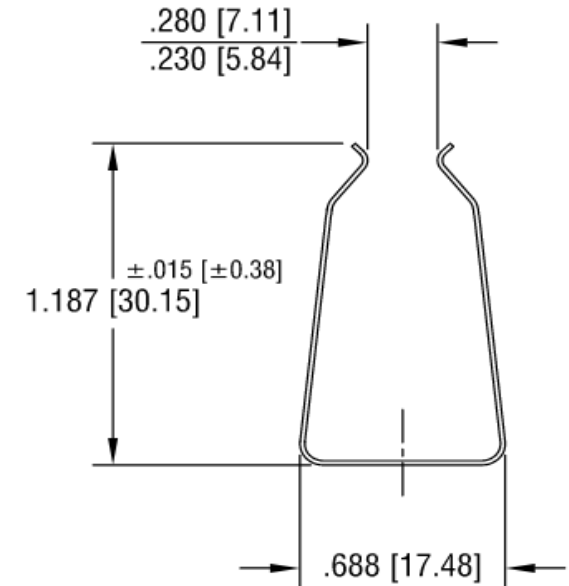
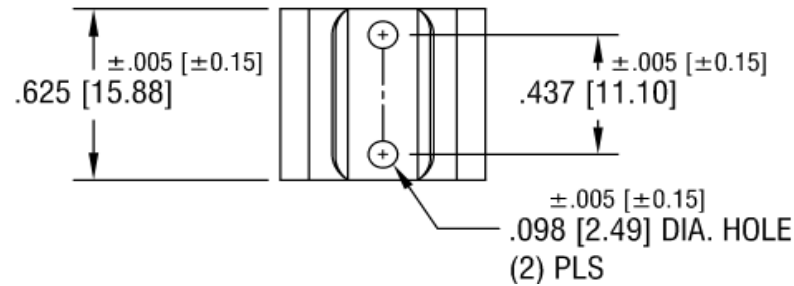
EDCON-COMPONENTS



Drawing inch / mm

Note

Material: Spring Steel
 Thickness: 0.015 / 0,38inch/mm
 Surface: Nickel Plated



Tolerances

Inch .+/-0,01
 mm .+/-0,25
 Angle .+/-2°

Unless otherwise specified

DRW:	Jason	CHKD	Wilson	MATL:	Wilson	TOLERANCE	Mason	DATE	19.09.2021
APPD:	Schumi			FINISH	Jamy		Sheet No.	1 from 2	

PCB 9V Battery- Holder	
Part No.:	B38045
Customer:	

www.edcon-components.com

email: info@edcon-components.com

EDCON-COMPONENTS



Ordering Informations

PCB Layout inch/mm 20~21mm Battery-Clip

Serie	Special function	Special Code	ROHS	Packing	
-------	------------------	--------------	------	---------	--

B38045	N	N	R	BU	
---------------	----------	----------	----------	-----------	--

N= No special function	N= No special function	R= ROHS Conform	BU= Bulk-Ware

PCB 9V Battery- Holder
Part No.: B38045
Customer:

DRW:	Jason	CHKD	Wilson	MATL:	Wilson	TOLERANCE	Mason	DATE	19.09.2021
APPD:	Schumi			FINISH	Jamy		Sheet No.	2 from 2	