

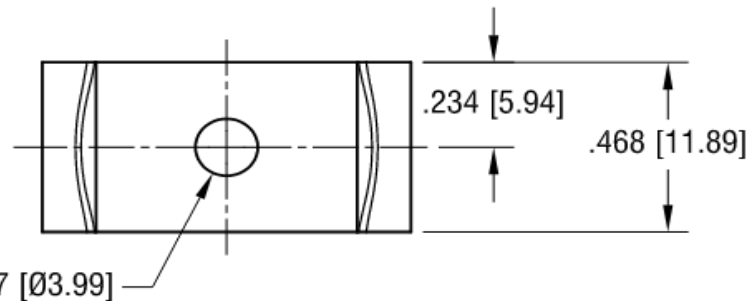
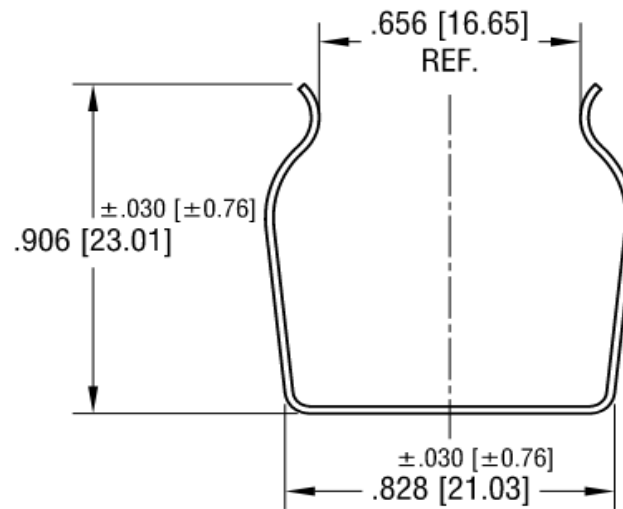
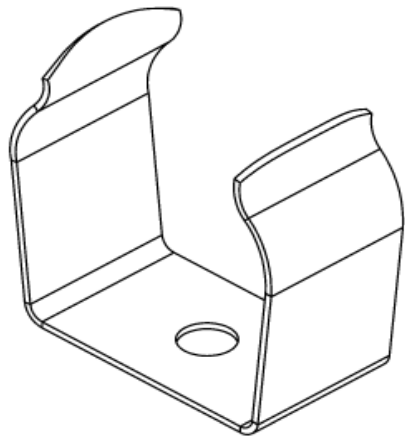
EDCON-COMPONENTS



Drawing inch / mm

Note

Material: Spring Steel
 Thickness: 0.020 / 0,50 inch/mm



Tolerances
 Inch .+/-0,01
 mm .+/-0,25
 Angle .+/-2°

Unless otherwise specified

DRW:	Jason	CHKD	Wilson	MATL:	Wilson	TOLERANCE	Mason	DATE	19.09.2021
APPD:	Schumi			FINISH	Jamy		Sheet No.		1 from 2

PCB Battery-Clip	
1PCS C-Cell	
Part No.:	B38032
Customer:	

www.edcon-components.com

email: info@edcon-components.com

EDCON-COMPONENTS



Ordering Informations

PCB Layout inch/mm 20~21mm Battery-Clip

Serie	Special function	Special Code	ROHS	Packing	
-------	------------------	--------------	------	---------	--

B38032	-	N	N	R	BU
---------------	---	----------	----------	----------	-----------

N = No special function	N = No special function	R = ROHS Conform	BU = Bulk-Ware

PCB Battery-Clip 1PCS C-Cell	
Part No.:	B38032
Customer:	

DRW:	Jason	CHKD	Wilson	MATL:	Wilson	TOLERANCE	Mason	DATE	19.09.2021
APPD:	Schumi			FINISH	Jamy		Sheet No.	2 from 2	