

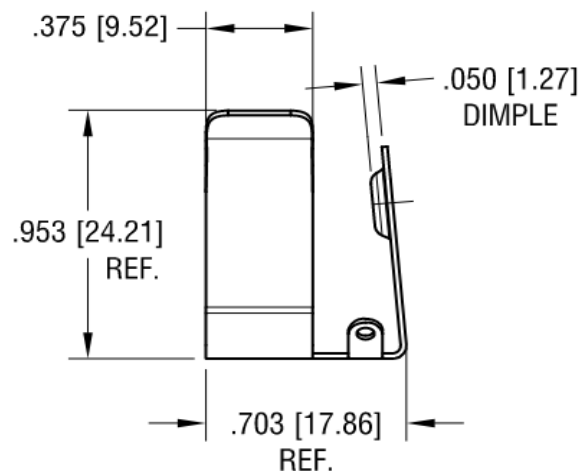
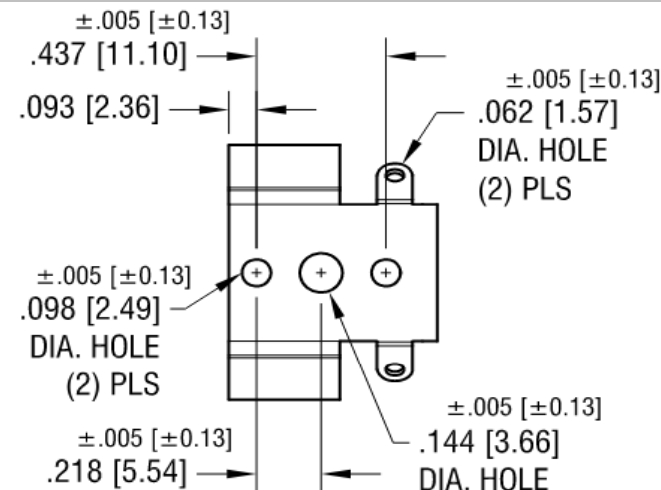
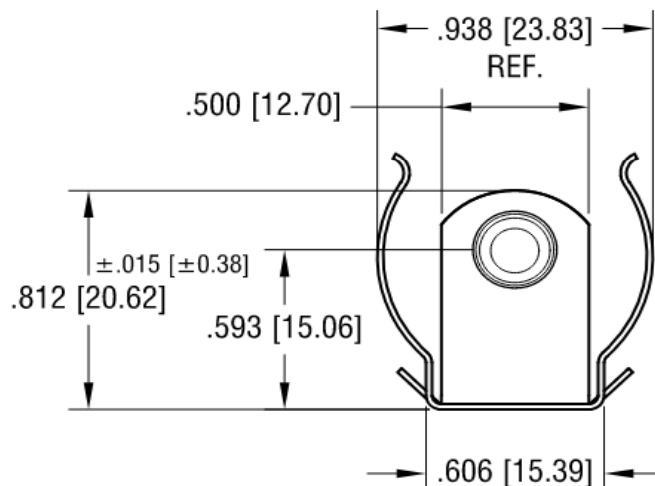
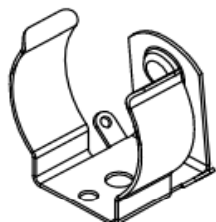
EDCON-COMPONENTS



Drawing inch / mm

Note

Material: Clip Stainless Steel
 Thickness: 0.02 / 0,50 inch/mm
 Surface: Tin-Nickel



Tolerances

Inch .+/-0,005
 mm .+/-0,15
 Angle .+/-2°

Unless otherwise specified

DRW:	Jason	CHKD	Wilson	MATL:	Wilson	TOLERANCE	Mason	DATE	19.09.2021
APPD:	Schumi			FINISH	Jamy		Sheet No.	1 from 3	

THT-PCB Battery-Clip C-Cell	
Part No.:	B38021
Customer:	

www.edcon-components.com

email: info@edcon-components.com

EDCON-COMPONENTS



Ordering Informations

PCB Layout inch/mm 20~21mm Battery-Clip

Serie	Special function	Special Code	ROHS	Packing	
-------	------------------	--------------	------	---------	--

B38021	N	N	R	BU	
---------------	----------	----------	----------	-----------	--

N= No special function	N= No special function	R= ROHS Conform	BU= Bulk-Ware

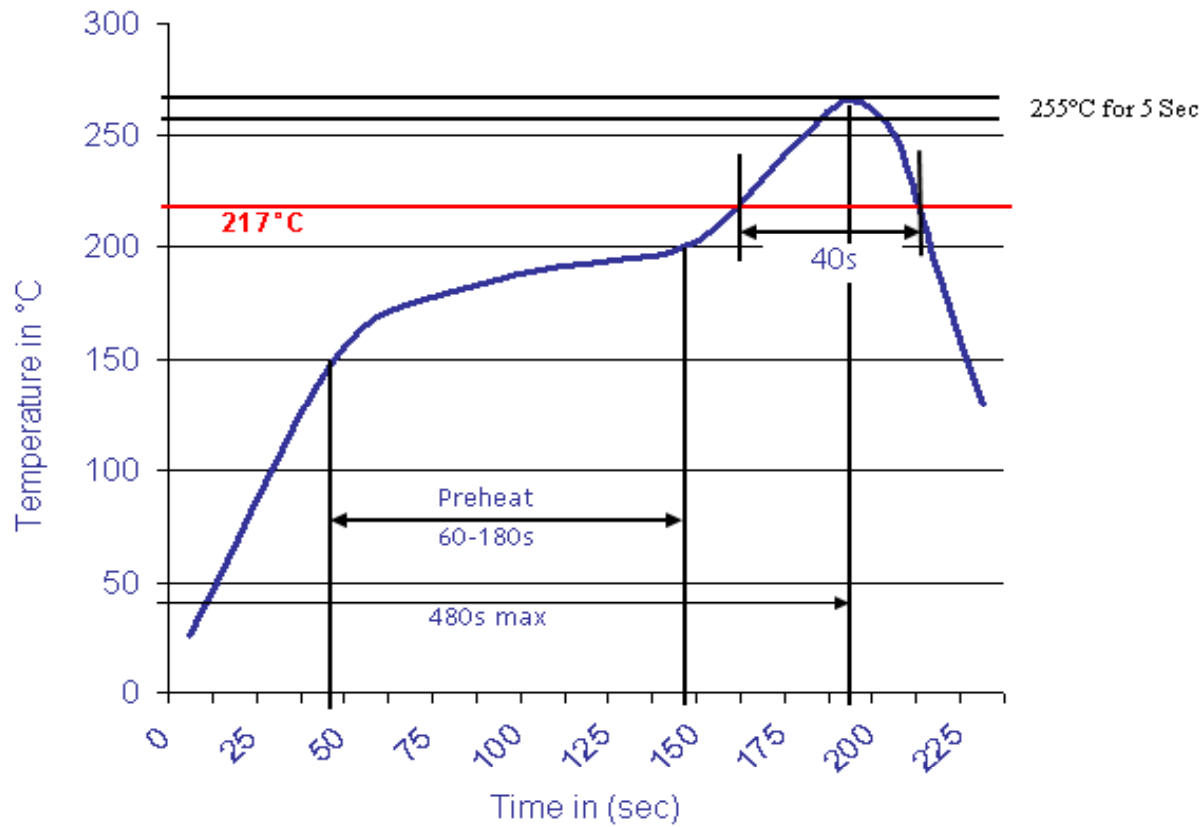
THT-PCB Battery-Clip C-Cell	
Part No.:	B38021
Customer:	

DRW:	Jason	CHKD	Wilson	MATL:	Wilson	TOLERANCE	Mason	DATE	19.09.2021
APPD:	Schumi			FINISH	Jamy		Sheet No.	2 from 3	



Soldering Profile Curve

Classification Reflow Profile (JEDEC J-STD-020C)



THT-PCB Battery-Clip C-Cell	
Part No.:	B38021
Customer:	

DRW:	Jason	CHKD	Wilson	MATL:	Wilson	TOLERANCE	Mason	DATE	19.09.2021
APPD:	Schumi			FINISH	Jamy		Sheet No.		3 from 3