

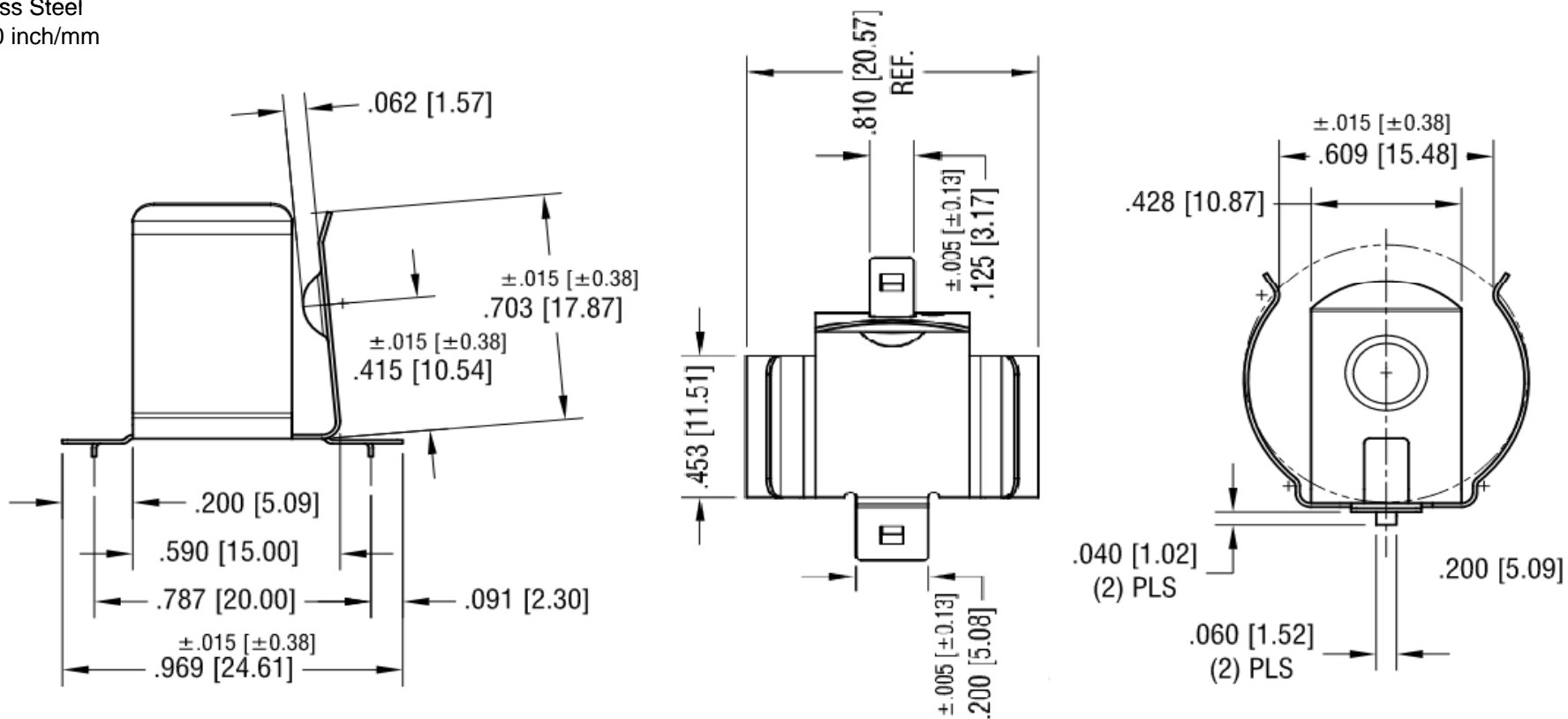
# EDCON-COMPONENTS



Drawing inch / mm

**Note**

Material: Clip Stainless Steel  
 Thickness: 0.012 / 0,30 inch/mm  
 Surface: Tin-Nickel



Tolerances  
 Inch: .+/-0,005  
 mm: .+/-0,15  
 Angle: .+/-2°

Unless otherwise specified

DRW:	Jason	CHKD	Wilson	MATL:	Wilson	TOLERANCE	Mason	DATE	19.09.2021
APPD:	Schumi			FINISH	Jamy		Sheet No.		1 from 3

<b>SMD-PCB Battery-Clip</b>	
<b>Bat-Size 20~21mm</b>	
Part No.:	<b>B38019</b>
Customer:	

[www.edcon-components.com](http://www.edcon-components.com)

email: [info@edcon-components.com](mailto:info@edcon-components.com)

# EDCON-COMPONENTS



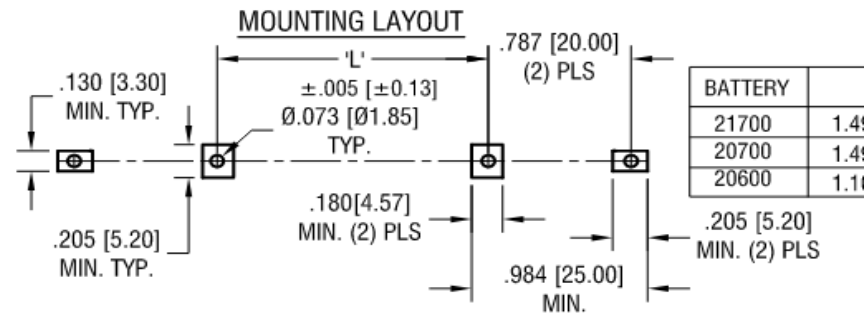
## Ordering Informations

PCB Layout inch/mm 20~21mm Battery-Clip

Serie	Special function	Special Code	ROHS	Packing	
-------	------------------	--------------	------	---------	--

<b>B38019</b>	<b>N</b>	<b>N</b>	<b>R</b>	<b>BU</b>	
---------------	----------	----------	----------	-----------	--

<b>N=</b> No special function	<b>N=</b> No special function	<b>R=</b> ROHS Conform	<b>BU=</b> Bulk-Ware
-------------------------------	-------------------------------	------------------------	----------------------



Battery	L=
21700	1.494 / 37,95
20700	1.494 / 37,95
20600	1.101 / 27,96

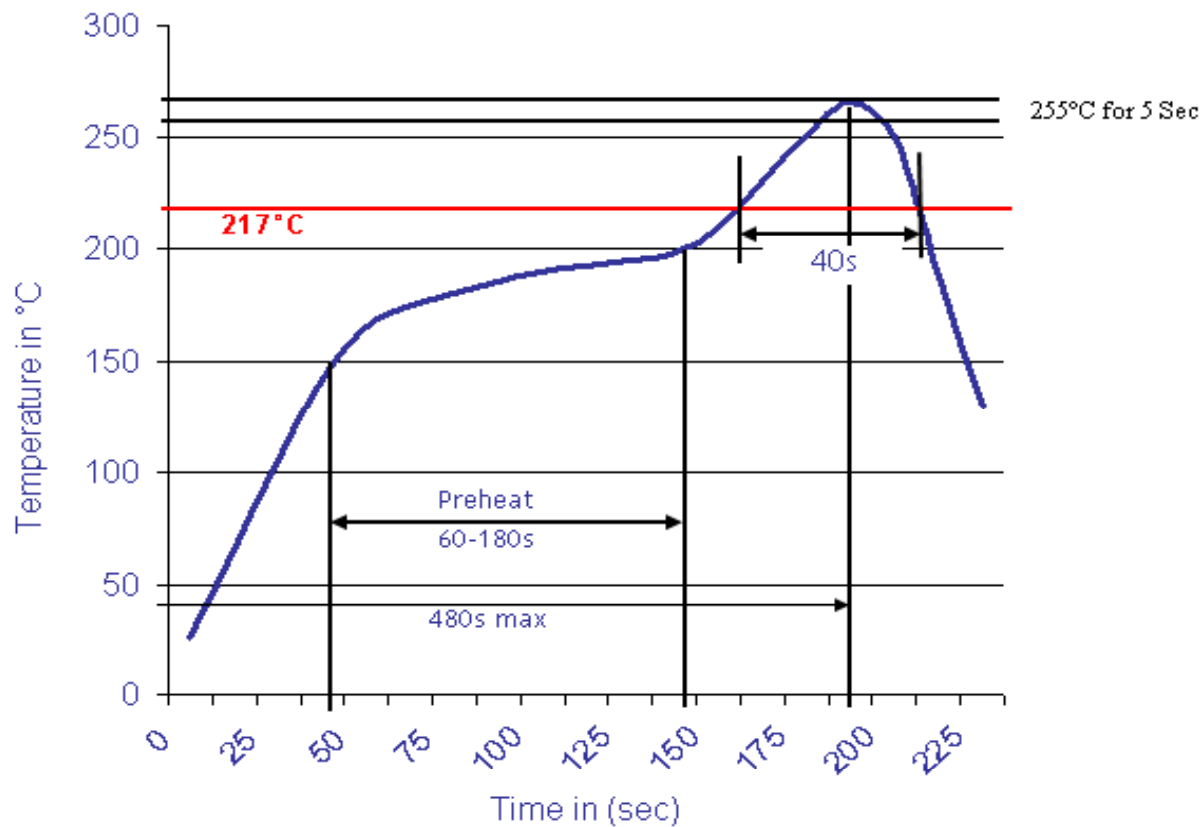
<b>SMD-PCB Battery-Clip</b>	
<b>Bat-Size 20~21mm</b>	
Part No.:	<b>B38019</b>
Customer:	

DRW:	Jason	CHKD	Wilson	MATL:	Wilson	TOLERANCE	Mason	DATE	19.09.2021
APPD:	Schumi			FINISH	Jamy		Sheet No.		2 from 3



Soldering Profile Curve

Classification Reflow Profile (JEDEC J-STD-020C)



<b>SMD-PCB Battery-Clip</b>	
<b>Bat-Size 20~21mm</b>	
Part No.:	<b>B38019</b>
Customer:	

DRW:	Jason	CHKD	Wilson	MATL:	Wilson	TOLERANCE	Mason	DATE	19.09.2021
APPD:	Schumi			FINISH	Jamy		Sheet No.		3 from 3