

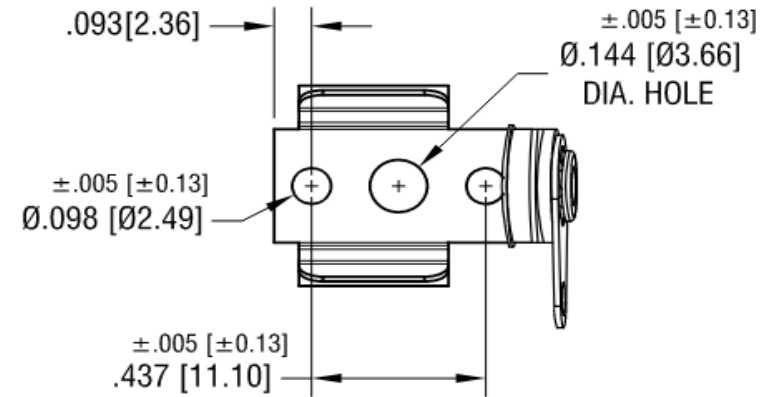
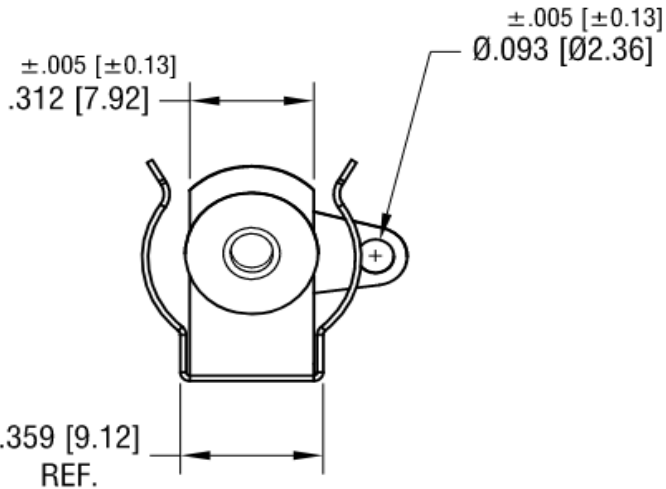
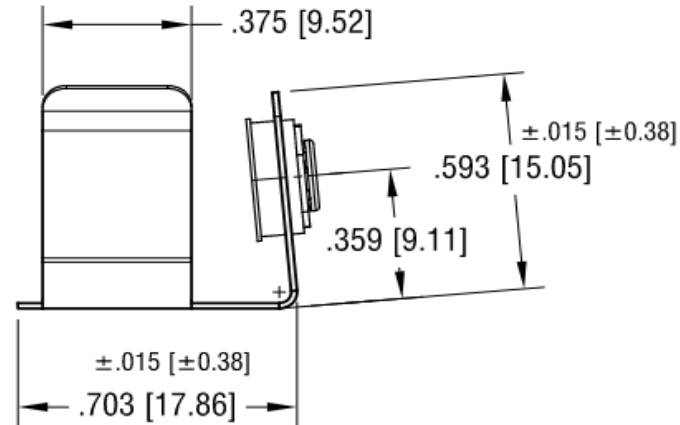
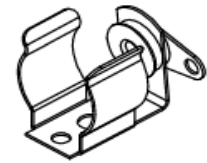
# EDCON-COMPONENTS



Drawing inch / mm

**Note**

Material: Clip Stainless Steel  
 Thickness: 0.015 / 0,38 inch/mm  
 Surface: Tin-Nickel  
 Contact Eyelet Nickel-Plate  
 Insulating Washer Mat-I Vulcanized Fibre  
 Lug-Material Mat- Brass Matt Tin-Plated



**Tolerances**

Inch .+/-0,01  
 mm .+/-0,25  
 Angle .+/-2°

Unless otherwise specified

DRW:	Jason	CHKD	Wilson	MATL:	Wilson	TOLERANCE	Mason	DATE	19.09.2021
APPD:	Schumi			FINISH	Jamy		Sheet No.		1 from 3

<b>THT-PCB Battery-Clip AA</b>	
Part No.:	<b>B38016</b>
Customer:	

[www.edcon-components.com](http://www.edcon-components.com)

email: [info@edcon-components.com](mailto:info@edcon-components.com)

# EDCON-COMPONENTS

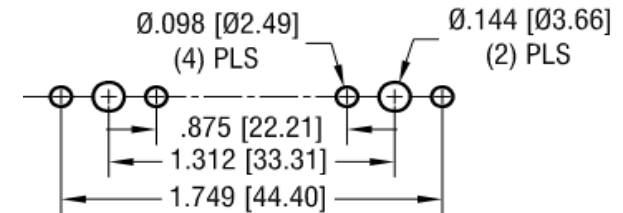


## Ordering Informations

## PCB Layout inch/mm AA Battery-Clip

Serie	Special function	Special Code	ROHS	Packing	
<b>B38016</b>	<b>N</b>	<b>N</b>	<b>R</b>	<b>BU</b>	

<b>N</b> = No special function	<b>N</b> = No special function	<b>R</b> = ROHS Conform	<b>BU</b> = Bulk-Ware



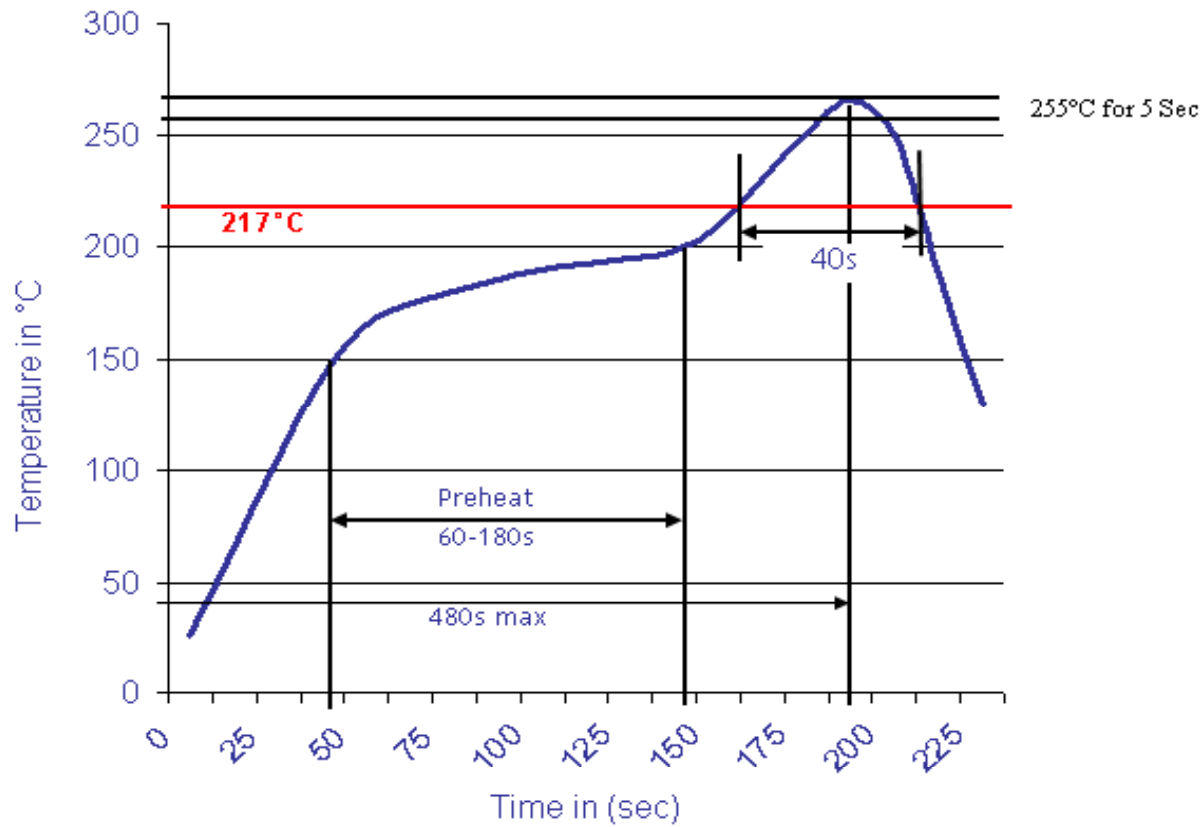
<b>THT-PCB Battery-Clip AA</b>	
Part No.:	<b>B38016</b>
Customer:	

DRW:	Jason	CHKD	Wilson	MATL:	Wilson	TOLERANCE	Mason	DATE	19.09.2021
APPD:	Schumi			FINISH	Jamy		Sheet No.		2 from 3



Soldering Profile Curve

Classification Reflow Profile (JEDEC J-STD-020C)



<b>THT-PCB Battery-Clip AA</b>	
Part No.:	<b>B38016</b>
Customer:	

DRW:	Jason	CHKD	Wilson	MATL:	Wilson	TOLERANCE	Mason	DATE	19.09.2021
APPD:	Schumi			FINISH	Jamy		Sheet No.	3 from 3	