

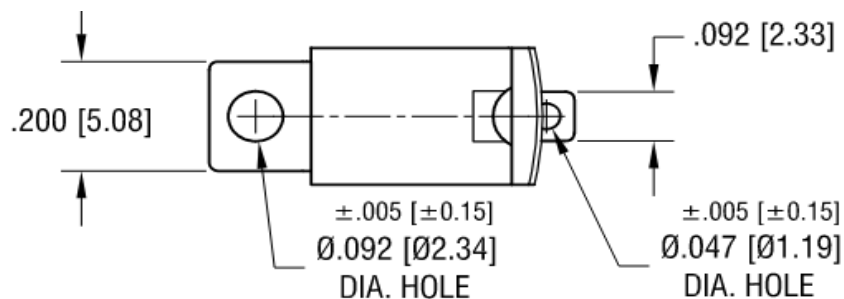
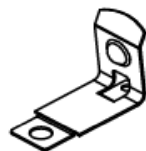
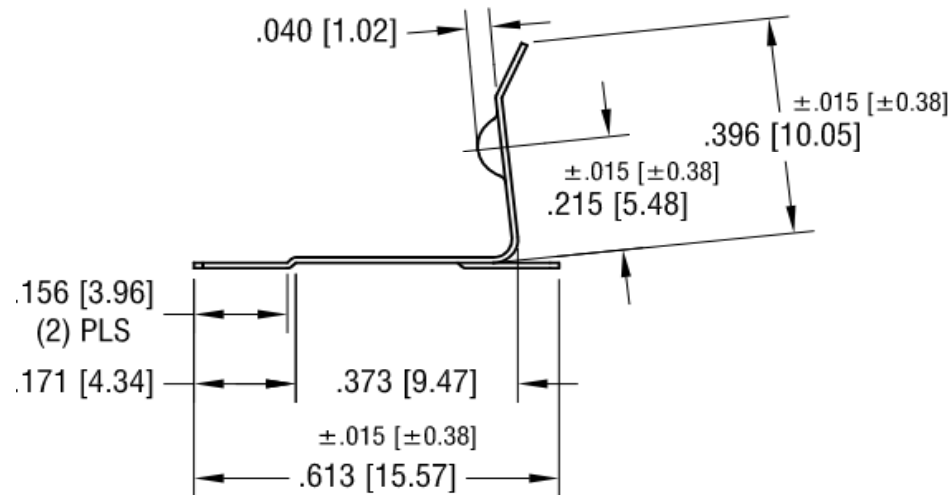
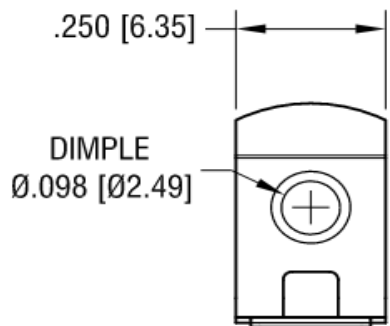
EDCON-COMPONENTS



Drawing inch / mm

Note

Material: Stainless Steel
 Thickness: 0.01 / 0,25 inch/mm
 Surface: TIN NICKEL PLATE



Tolerances
 Inch .+/-0,01
 mm .+/-0,25
 Angle .+/-2°

SMD-PCB Battery-Clip	
AAA, AAAA, N, A23, A27	
Part No.:	B38012
Customer:	

Unless otherwise specified

DRW:	Jason	CHKD	Wilson	MATL:	Wilson	TOLERANCE	Mason	DATE	19.09.2021
APPD:	Schumi			FINISH	Jamy		Sheet No.		1 from 3

www.edcon-components.com

email: info@edcon-components.com

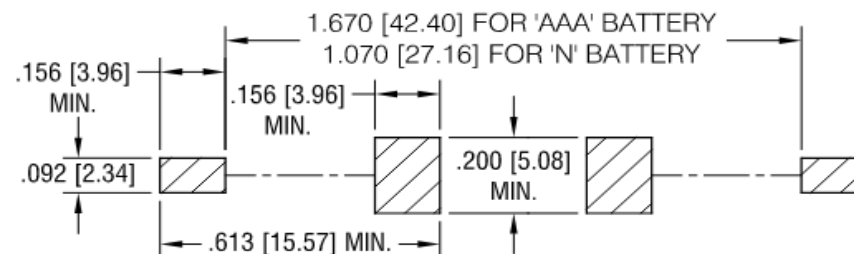
EDCON-COMPONENTS



Ordering Informations

PCB Layout inch/mm AAA / N Battery-Clip

Serie	Special function	Special Code	ROHS	Packing	
B38012	N	N	R	BU	
	N= No special function	N= No special function	R= ROHS Conform	BU= Bulk-Ware	



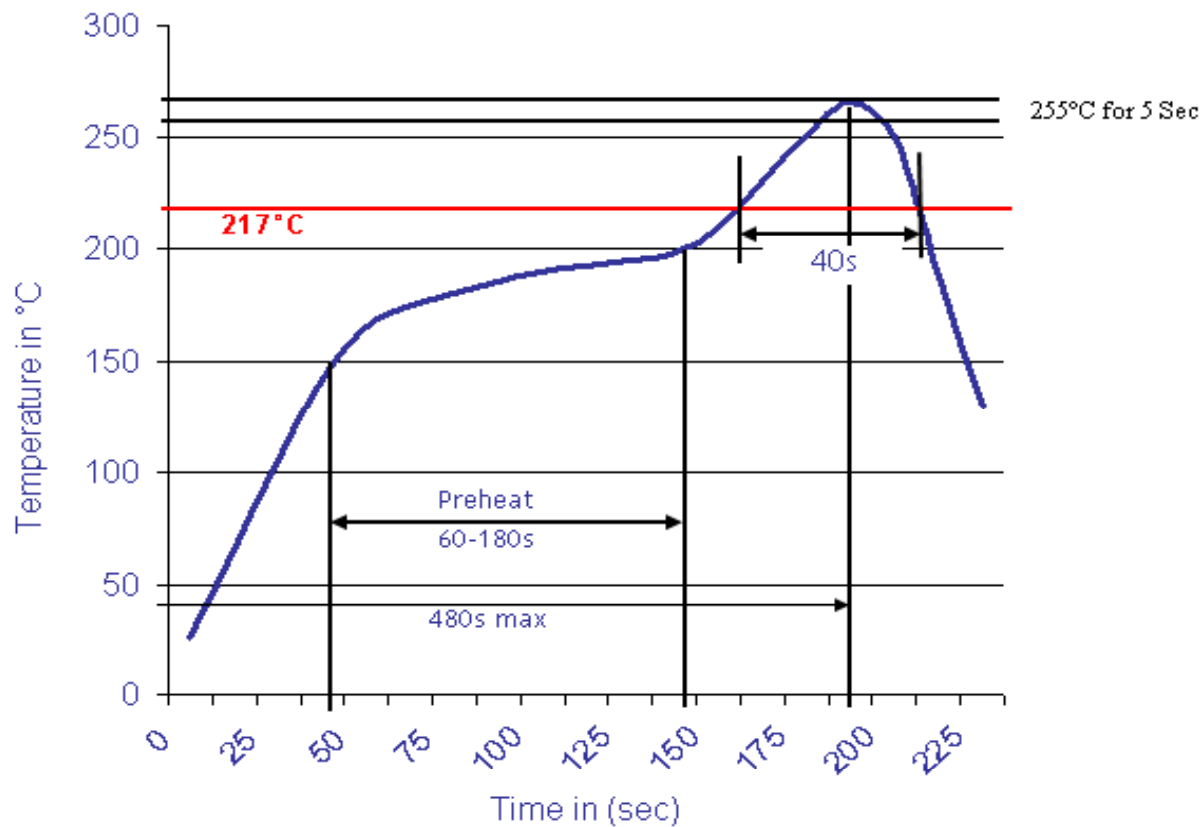
SMD-PCB Battery-Clip AAA, AAAA, N, A23, A27	
Part No.:	B38012
Customer:	

DRW:	Jason	CHKD	Wilson	MATL:	Wilson	TOLERANCE	Mason	DATE	19.09.2021
APPD:	Schumi			FINISH	Jamy		Sheet No.	2 from 3	



Soldering Profile Curve

Classification Reflow Profile (JEDEC J-STD-020C)



SMD-PCB Battery-Clip	
AAA, AAAA, N, A23, A27	
Part No.:	B38012
Customer:	

DRW:	Jason	CHKD	Wilson	MATL:	Wilson	TOLERANCE	Mason	DATE	19.09.2021
APPD:	Schumi			FINISH	Jamy		Sheet No.	3 from 3	