

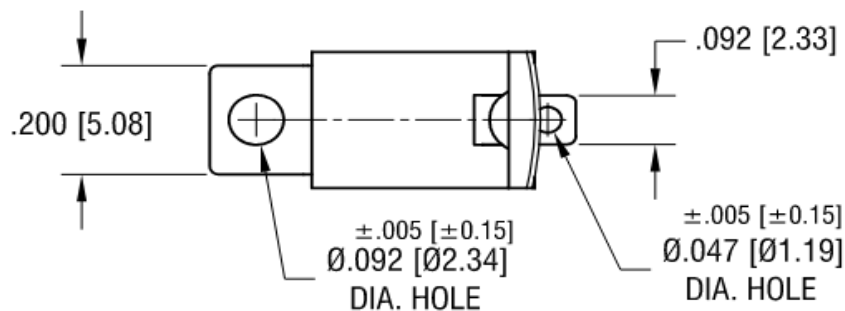
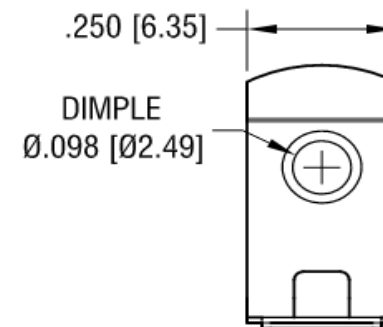
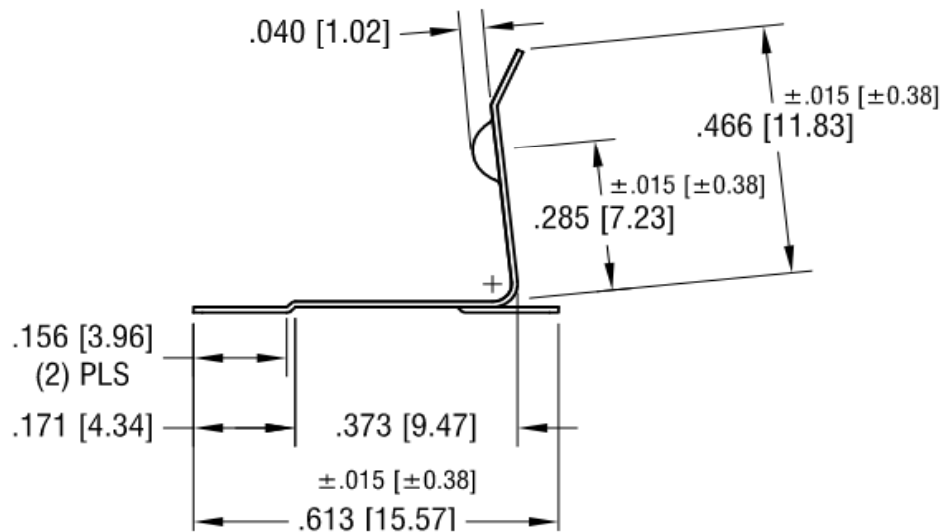
EDCON-COMPONENTS



Drawing inch / mm

Note

Material: Stainless Steel
 Thickness: 0.01 / 0,25 inch/mm
 Surface: TIN NICKEL PLATE



Tolerances
 Inch .+/-0,01
 mm .+/-0,25
 Angle .+/-2°

SMD-PCB Battery-Clip A, AA, CR2, CR123A	
Part No.:	B38009
Customer:	

Unless otherwise specified

DRW:	Jason	CHKD	Wilson	MATL:	Wilson	TOLERANCE	Mason	DATE	19.09.2021
APPD:	Schumi			FINISH	Jamy		Sheet No.		1 from 3

www.edcon-components.com

email: info@edcon-components.com

EDCON-COMPONENTS



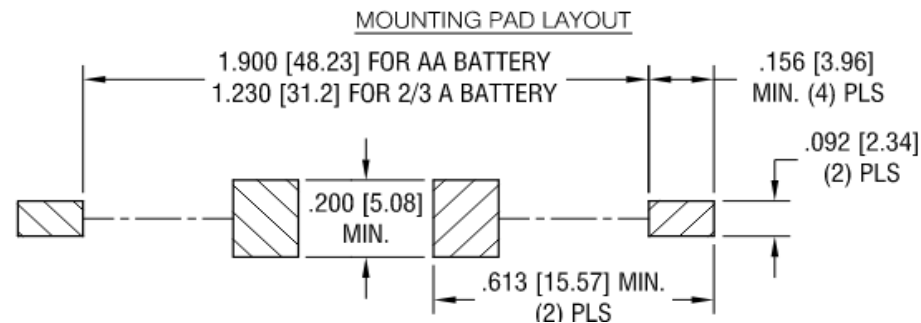
Ordering Informations

PCB Layout inch/mm AA Battery-Clip

Serie	Special function	Special Code	ROHS	Packing	
-------	------------------	--------------	------	---------	--

B38009	N	N	R	BU	
---------------	----------	----------	----------	-----------	--

N = No special function	N = No special function	R = ROHS Conform	BU = Bulk-Ware



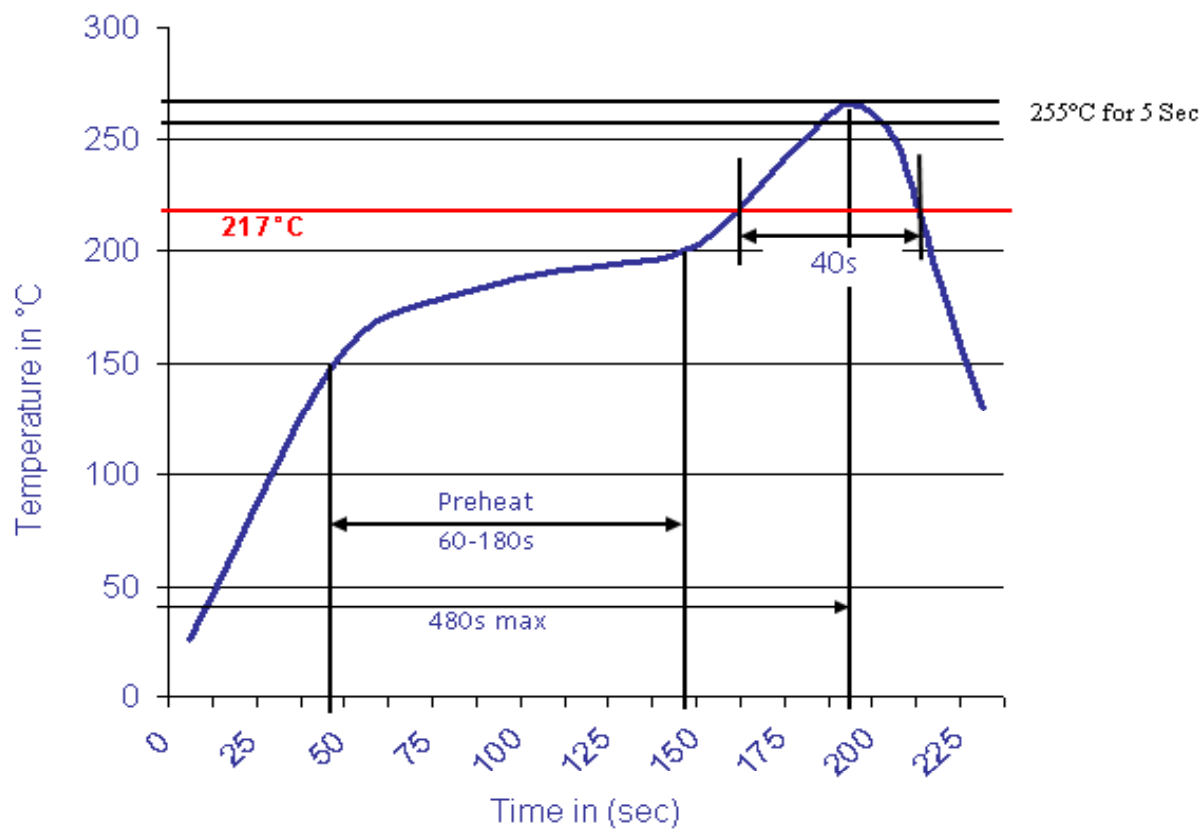
SMD-PCB Battery-Clip A, AA, CR2, CR123A	
Part No.:	B38009
Customer:	

DRW:	Jason	CHKD	Wilson	MATL:	Wilson	TOLERANCE	Mason	DATE	19.09.2021
APPD:	Schumi			FINISH	Jamy		Sheet No.		2 from 3



Soldering Profile Curve

Classification Reflow Profile (JEDEC J-STD-020C)



SMD-PCB Battery-Clip A, AA, CR2, CR123A	
Part No.:	B38009
Customer:	

DRW:	Jason	CHKD	Wilson	MATL:	Wilson	TOLERANCE	Mason	DATE	19.09.2021
APPD:	Schumi			FINISH	Jamy		Sheet No.	3 from 3	