

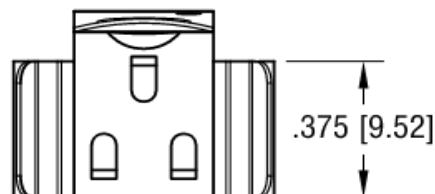
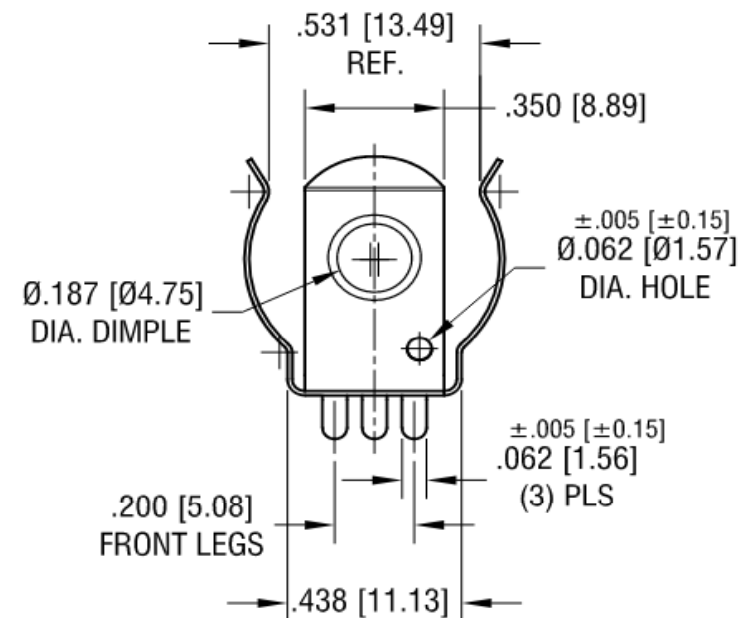
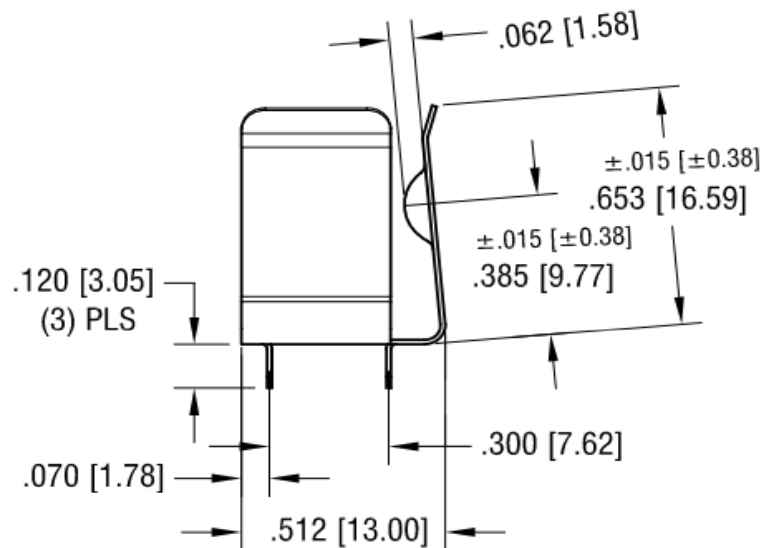
# EDCON-COMPONENTS



Drawing inch / mm

**Note**

Material: Stainless Steel  
 Thickness: 0.012 / 0,30 inch/mm  
 Surface: TIN NICKEL PLATE



Tolerances  
 Inch .+/-0,01  
 mm .+/-0,25  
 Angle .+/-2°

Unless otherwise specified

DRW:	Jason	CHKD	Wilson	MATL:	Wilson	TOLERANCE	Mason	DATE	19.09.2021
APPD:	Schumi			FINISH	Jamy		Sheet No.		1 from 3

<b>THT-PCB Battery-Clip 16 ~ 19mm</b>	
Part No.:	<b>B38008</b>
Customer:	

[www.edcon-components.com](http://www.edcon-components.com)

email: [info@edcon-components.com](mailto:info@edcon-components.com)

# EDCON-COMPONENTS

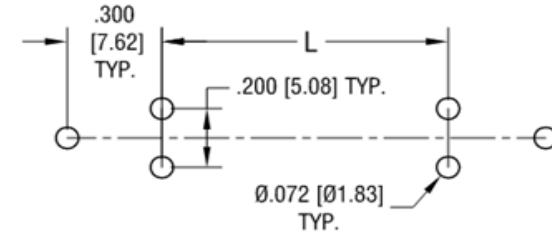


## Ordering Informations

PCB Layout inch/mm AAAA Battery-Clip

Serie	Special function	Special Code	ROHS	Packing	
<b>B38008</b>	<b>N</b>	<b>N</b>	<b>R</b>	<b>BU</b>	

<b>N</b> = No special function	<b>N</b> = No special function	<b>R</b> = ROHS Conform	<b>BU</b> = Bulk-Ware



Different Battery Size = Different L

Cell Size	inch/mm
18650	1,89 / 48,00
CR123A	0,570/ 14,50
17500	1,218 / 30,90
18350	0,626 / 15,90

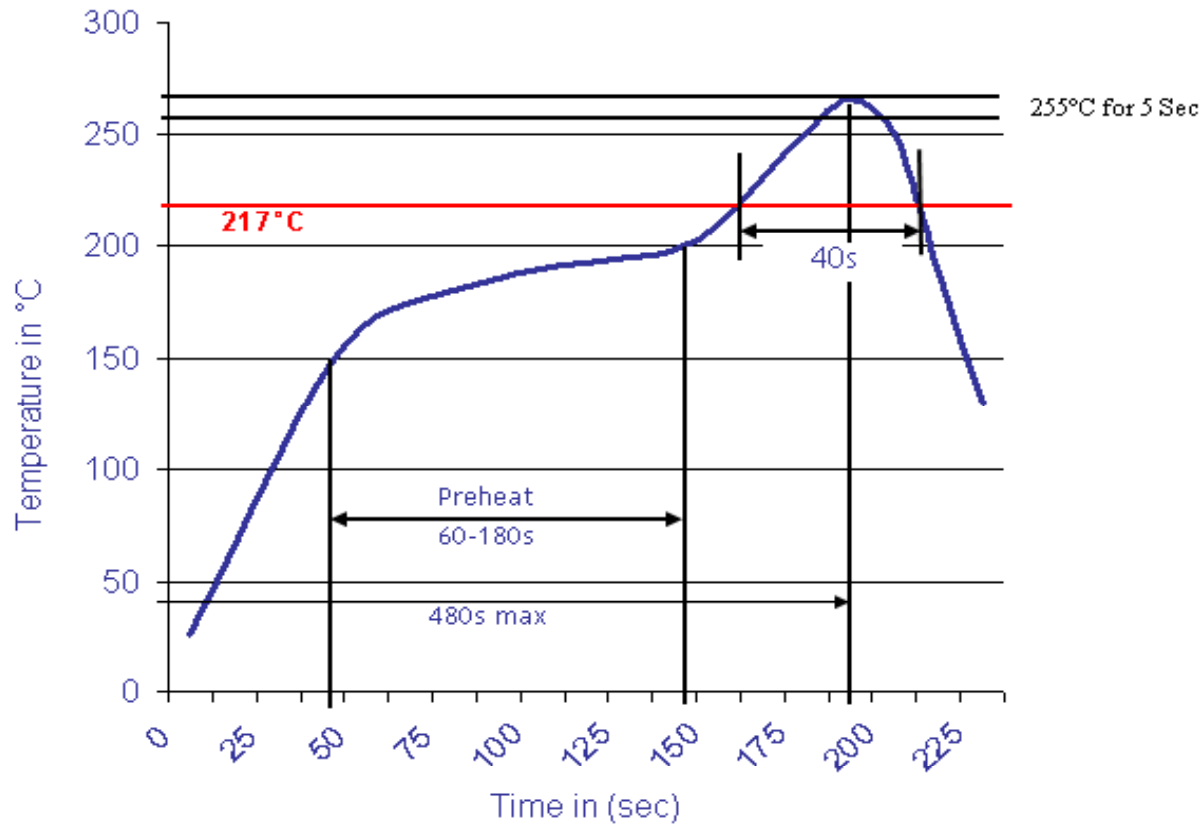
<b>THT-PCB Battery-Clip 16 ~ 19mm</b>	
Part No.:	<b>B38008</b>
Customer:	

DRW:	Jason	CHKD	Wilson	MATL:	Wilson	TOLERANCE	Mason	DATE	19.09.2021
APPD:	Schumi			FINISH	Jamy		Sheet No.	2 from 3	



Soldering Profile Curve

Classification Reflow Profile (JEDEC J-STD-020C)



<b>THT-PCB Battery-Clip</b>	
<b>16 ~ 19mm</b>	
Part No.:	<b>B38008</b>
Customer:	

DRW:	Jason	CHKD	Wilson	MATL:	Wilson	TOLERANCE	Mason	DATE	19.09.2021
APPD:	Schumi			FINISH	Jamy		Sheet No.		3 from 3