

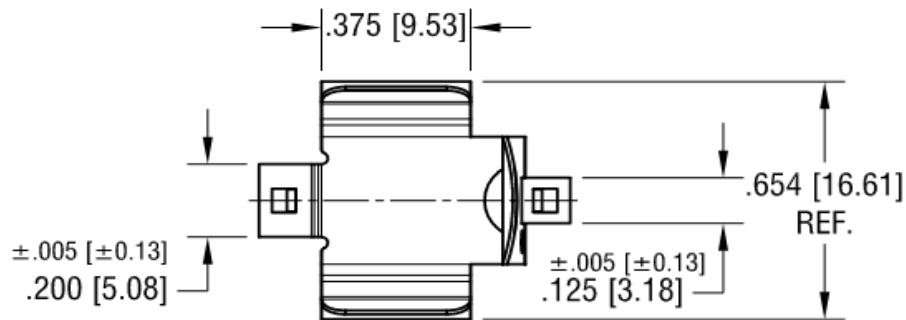
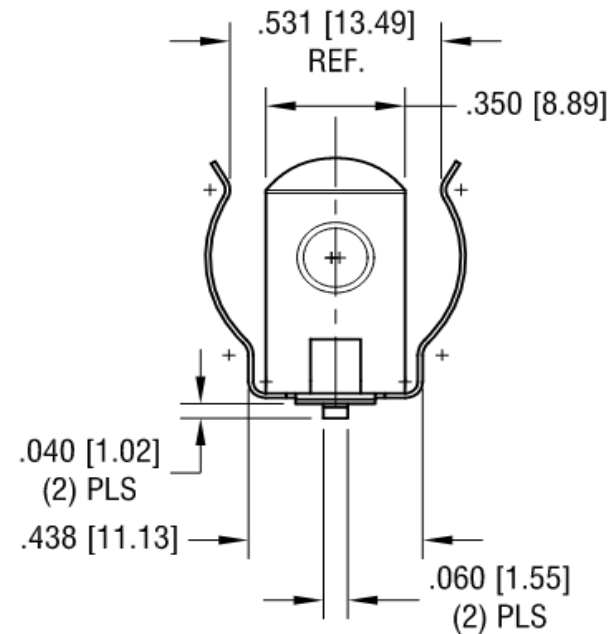
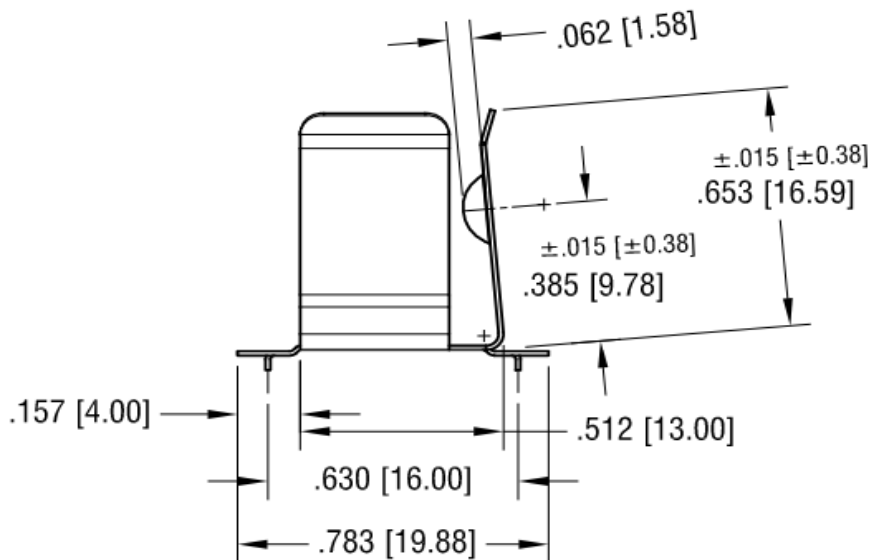
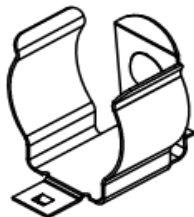
EDCON-COMPONENTS



Drawing inch / mm

Note

Material: Stainless Steel
 Thickness: 0.012 / 0,30 inch/mm
 Surface: TIN NICKEL PLATE



Tolerances
 Inch $\pm 0,01$
 mm $\pm 0,25$
 Angle $\pm 2^\circ$

Unless otherwise specified

DRW:	Jason	CHKD	Wilson	MATL:	Wilson	TOLERANCE	Mason	DATE	19.09.2021
APPD:	Schumi			FINISH	Jamy		Sheet No.		1 from 3

SMD-PCB Battery-Clip	
16 ~ 19mm	
Part No.:	B38007
Customer:	

www.edcon-components.com

email: info@edcon-components.com

EDCON-COMPONENTS

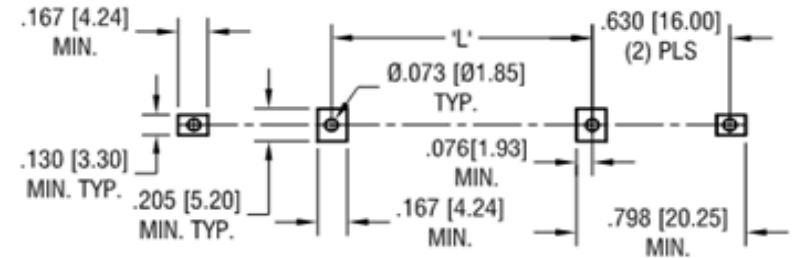


Ordering Informations

PCB Layout inch/mm AAAA Battery-Clip

Serie	Special function	Special Code	ROHS	Packing	
B38007	N	N	R	BU	

N = No special function	N = No special function	R = ROHS Conform	BU = Bulk-Ware



Different Battery Size = Different L

Cell Size	inch/mm
18650	1.584 / 40,23
CR123A	.270 / 6,85
17500	2.175 / 55,23
18350	.324 / 40,23

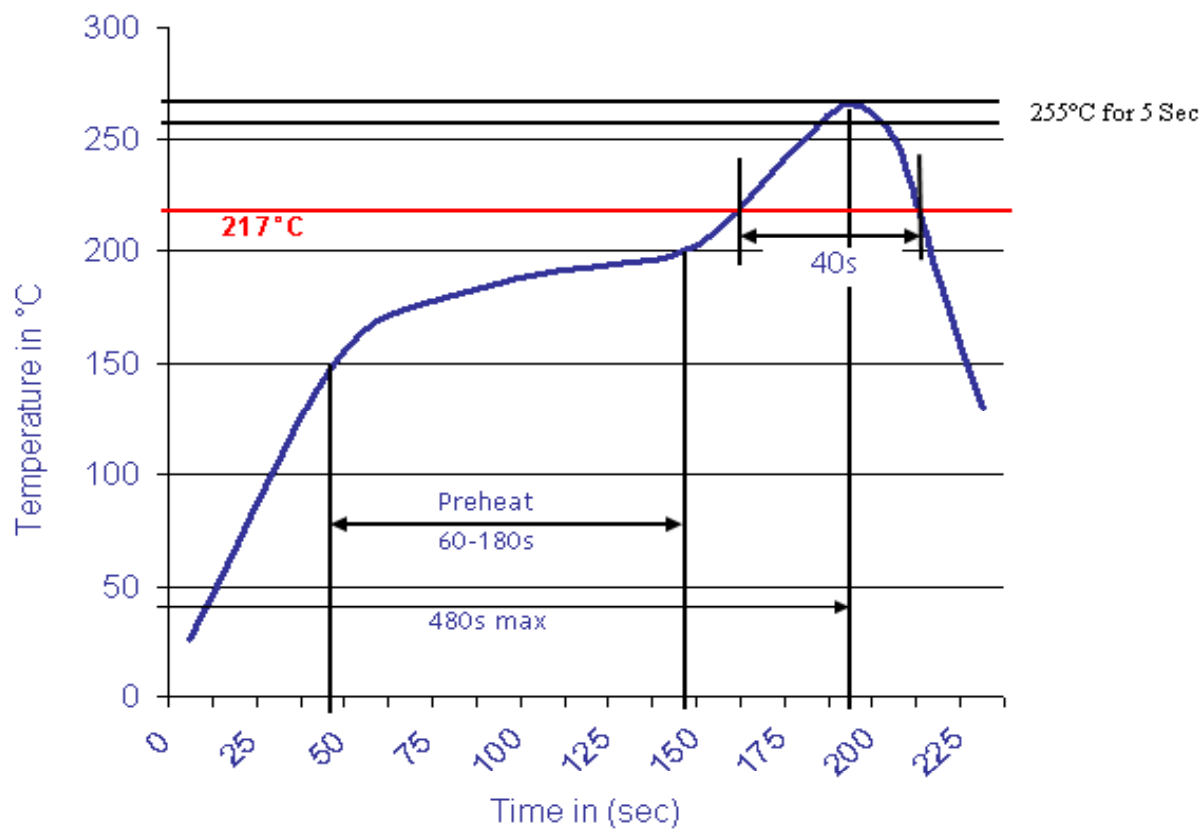
SMD-PCB Battery-Clip 16 ~ 19mm	
Part No.:	B38007
Customer:	

DRW:	Jason	CHKD	Wilson	MATL:	Wilson	TOLERANCE	Mason	DATE	19.09.2021
APPD:	Schumi			FINISH	Jamy		Sheet No.	2 from 3	



Soldering Profile Curve

Classification Reflow Profile (JEDEC J-STD-020C)



SMD-PCB Battery-Clip	
16 ~ 19mm	
Part No.:	B38007
Customer:	

DRW:	Jason	CHKD	Wilson	MATL:	Wilson	TOLERANCE	Mason	DATE	19.09.2021
APPD:	Schumi			FINISH	Jamy		Sheet No.	3 from 3	