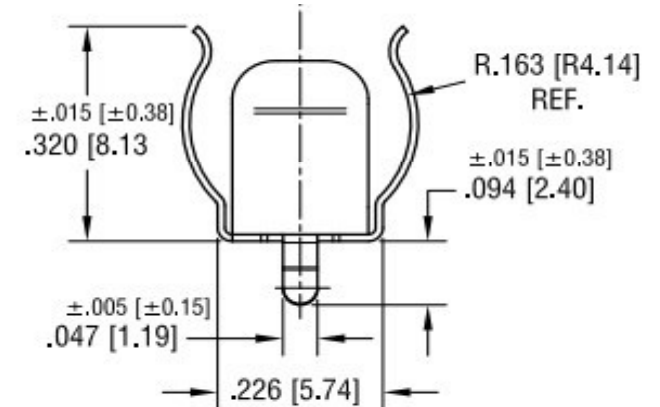
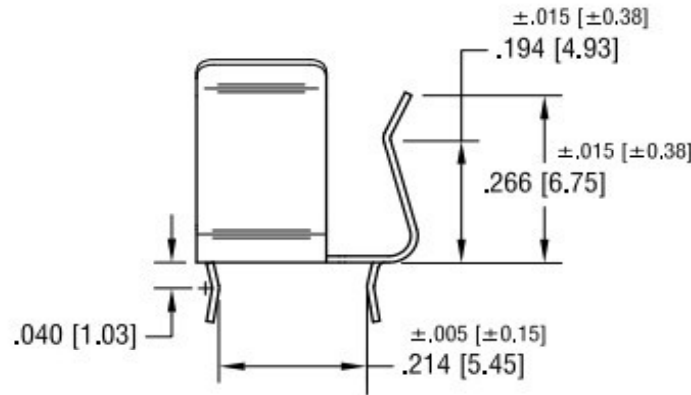
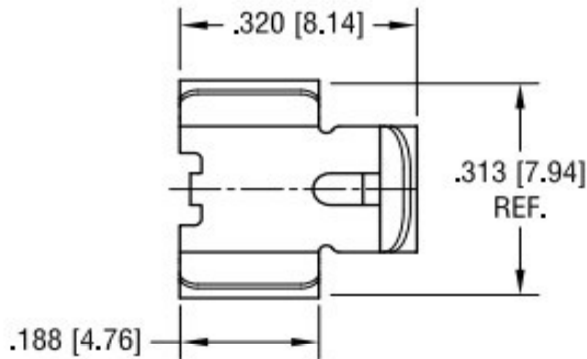


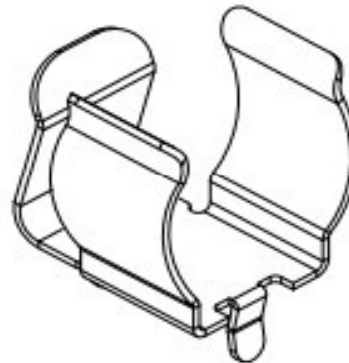
EDCON-COMPONENTS



Drawing inch / mm



Note
 Material: Stainless Steel
 Thickness: 0.01 / 0,25 inch/mm
 Surface: TIN NICKEL PLATE



Tolerances
 Inch .+/-0,01
 mm .+/-0,25
 Angle .+/-2°

Unless otherwise specified

DRW:	Jason	CHKD	Wilson	MATL:	Wilson	TOLERANCE	Mason	DATE	01.10.2019
APPD:	Schumi			FINISH	Jamy		Sheet No.		1 from 3

THT-PCB AAAA Battery-Clip	
Part No.:	B38006
Customer:	

www.edcon-components.com

email: info@edcon-components.com

EDCON-COMPONENTS

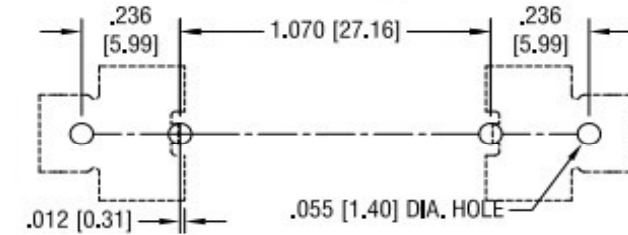


Ordering Informations

PCB Layout inch/mm AAAA Battery-Clip

Serie	Special function	Special Code	ROHS	Packing	
B38006	N	N	R	BU	

N= No special function	N= No special function	R= ROHS Conform	BU= Bulk-Ware



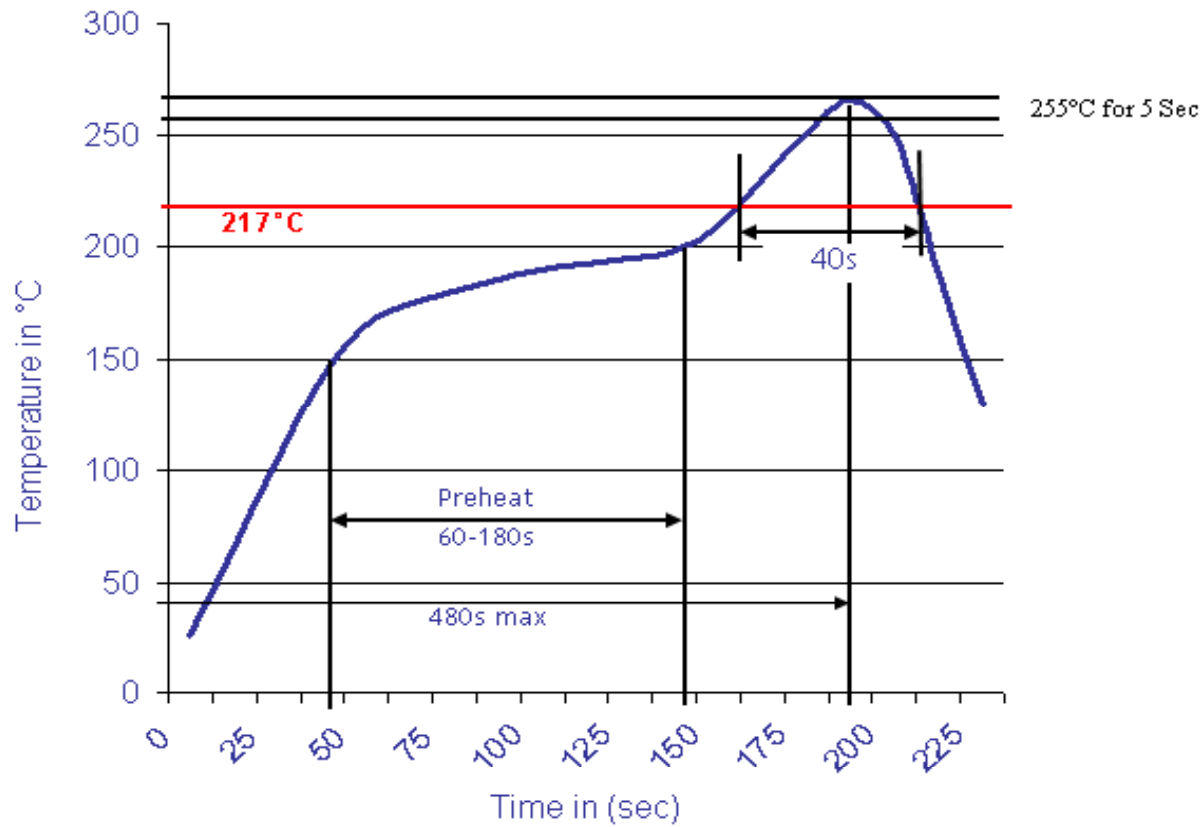
THT-PCB AAAA Battery-Clip	
Part No.:	B38006
Customer:	

DRW:	Jason	CHKD	Wilson	MATL:	Wilson	TOLERANCE	Mason	DATE	01.10.2019
APPD:	Schumi			FINISH	Jamy		Sheet No.	2 from 3	



Soldering Profile Curve

Classification Reflow Profile (JEDEC J-STD-020C)



THT-PCB AAAA Battery-Clip	
Part No.:	B38006
Customer:	

DRW:	Jason	CHKD	Wilson	MATL:	Wilson	TOLERANCE	Mason	DATE	01.10.2019
APPD:	Schumi			FINISH	Jamy		Sheet No.	3 from 3	