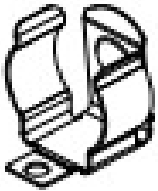
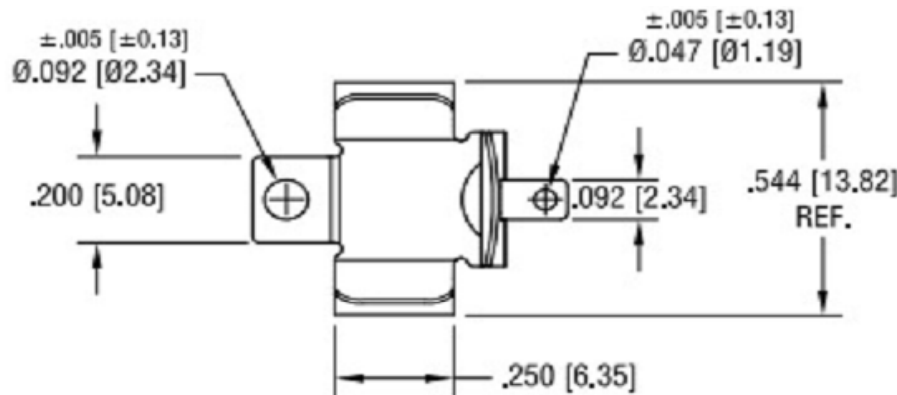
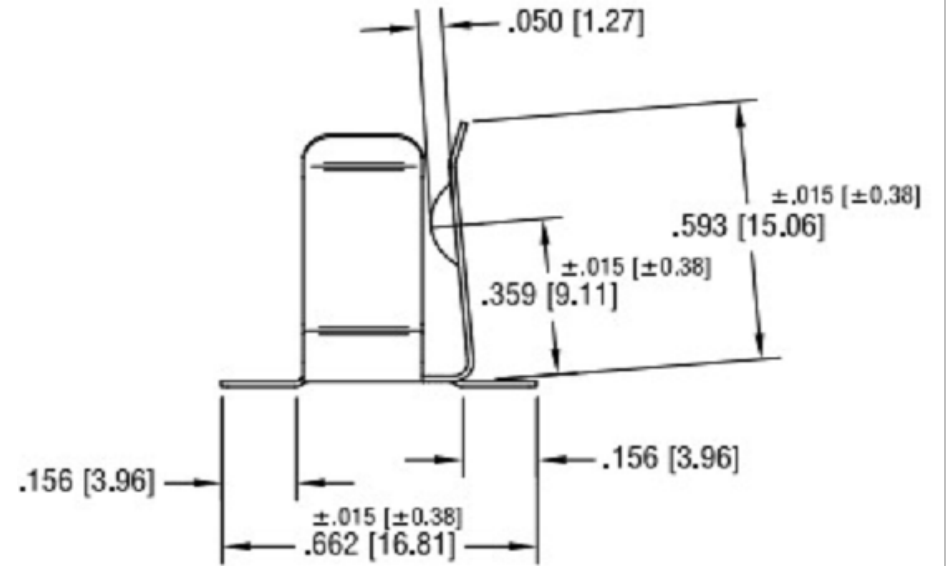
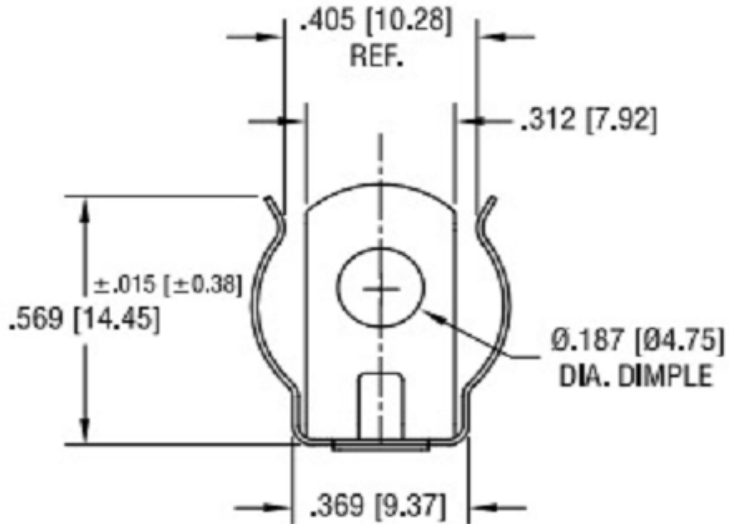


EDCON-COMPONENTS



Drawing inch / mm



Technical Specifications

Material: Annealed Spring Steel
 Surface: Tin Nickel Plate
 Thickness: 0.012inch / 0.30mm
 Tolerances
 Inch: ± 0.01
 mm: ± 0.25
 Angle: $\pm 2^\circ$

**SMD-PCB A / AA / CR /
 CR123A Batterie-Clip**

Part No.: **B38005**

Unless otherwise

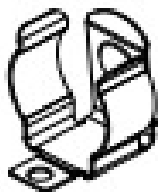
DRW:	Jason	CHKD	Wilson	MATL:	Wilson	TOLERANCE	Mason	DATE	01.10.2019
APPD:	Schumi			FINISH	Jamy		Sheet No.		1 from 3

Customer:

www.edcon-components.com

email: info@edcon-components.com

EDCON-COMPONENTS



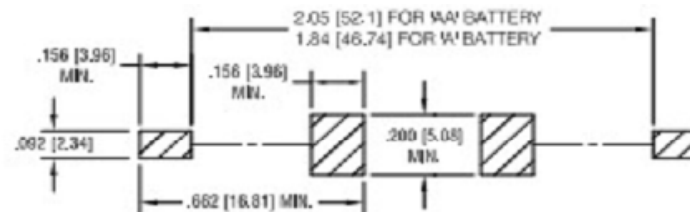
Ordering Informations

PCB Layout inch/mm A / AA CR / CR123A Batterie-Type

Serie	Special function	Special Code	ROHS	Packing	
-------	------------------	--------------	------	---------	--

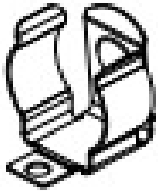
B38005	N	N	R	BU	
---------------	----------	----------	----------	-----------	--

N = No special function	N = No special function	R = ROHS Conform	BU = Bulk-Ware



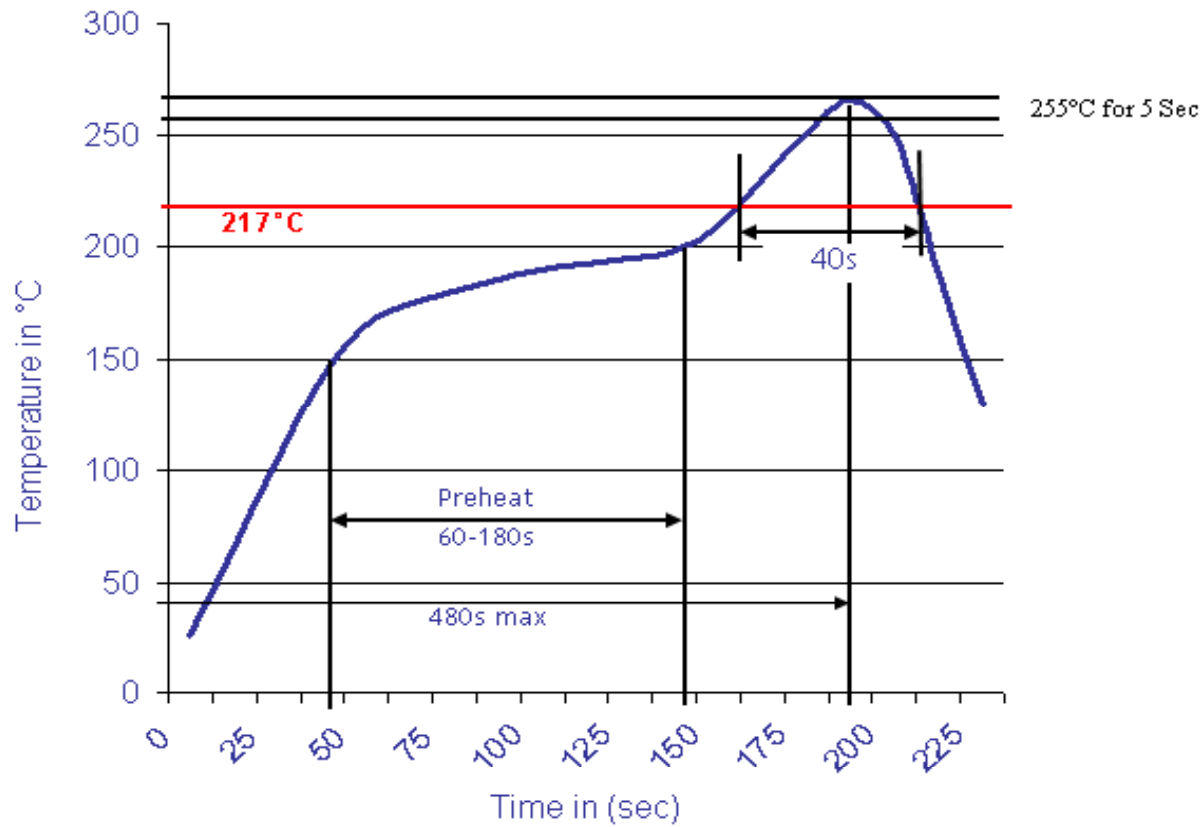
SMD-PCB A / AA / CR / CR123A Batterie-Clip	
Part No.:	B38005
Customer:	

DRW:	Jason	CHKD	Wilson	MATL:	Wilson	TOLERANCE	Mason	DATE	01.10.2019
APPD:	Schumi			FINISH	Jamy		Sheet No.	2 from 3	



Soldering Profile Curve

Classification Reflow Profile (JEDEC J-STD-020C)



SMD-PCB A / AA / CR / CR123A Batterie-Clip	
Part No.:	B38005
Customer:	

DRW:	Jason	CHKD	Wilson	MATL:	Wilson	TOLERANCE	Mason	DATE	01.10.2019
APPD:	Schumi			FINISH	Jamy		Sheet No.	3 from 3	