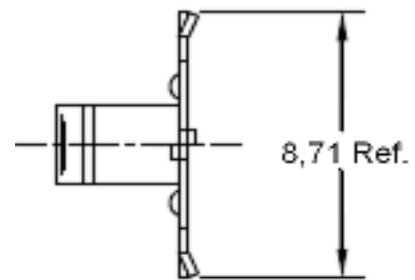
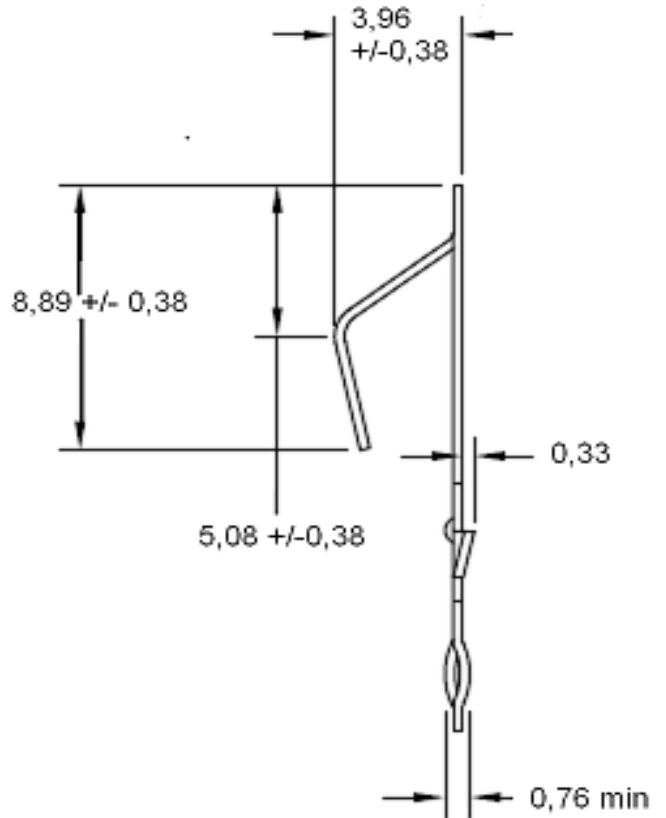
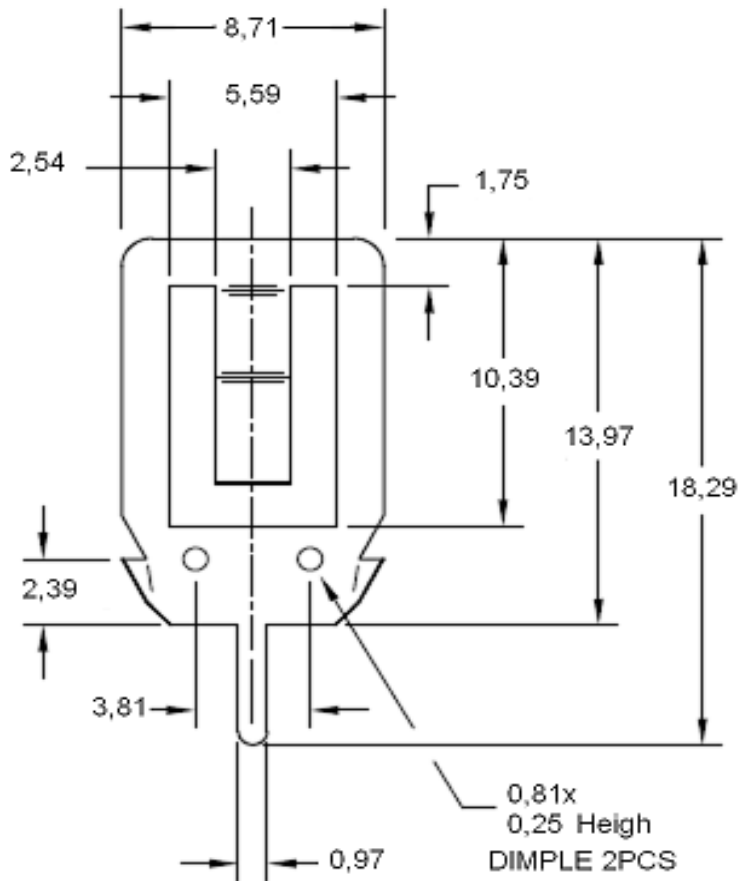




Technical Specification

Material: Stainless Steel
 Plating: Tin-Nickel
 Mounting: THT

Technical Dimension (mm)



Ordering Information

Serie	Material	Plated	Special	ROHS	Packing
B37046	SS	TN	N	R	B

SS = Stainless Steel	TN = Tin plated	N = No special function	N = non ROHS R = ROHS	B = Bulk-Ware I = Individual
-----------------------------	------------------------	--------------------------------	----------------------------------------	-----------------------------------------------

THT PC Battery Contact	
Part No.:	B37046
Customer:	

DRW:	Jason	CHKD	Jules	MATL:	Wu	DATE	20.09.2016
APPD:	Join			FINISH	Shieh	Sheet	1 from 1

