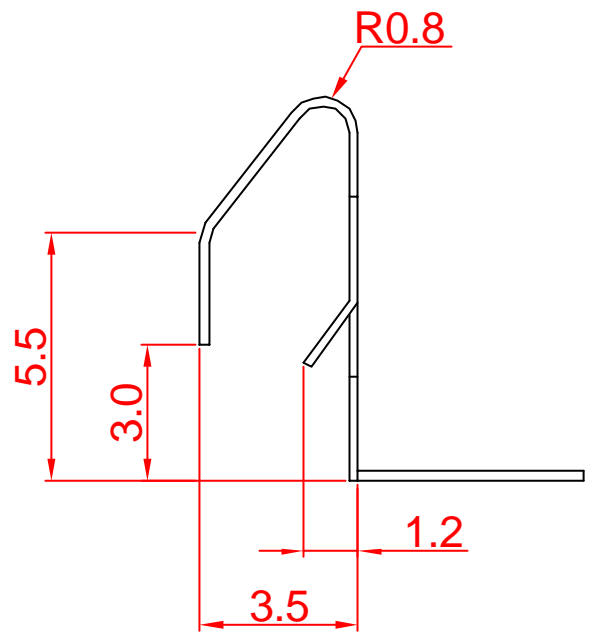
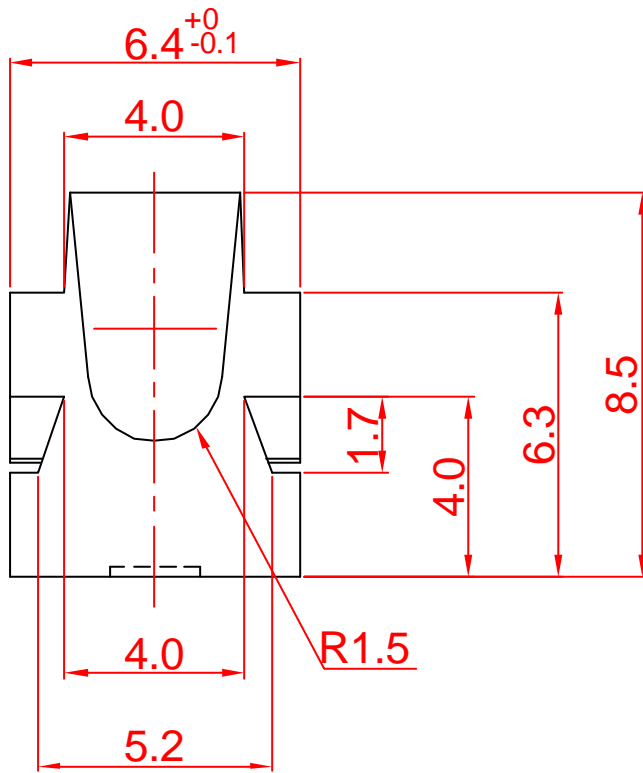


t=0.2



				Third Angle Projection		MODEL NAME:				
						DRAWING NO.				
						CODE NO.				
2009.1.15 Zhong xue feng 品名更改,原: 00822-000- 彈片; 刪除圖號:						PATH:		Contact\Part		
MATERIAL	Phosphor Bronze	APPROVED SIGNATURES	DRAWN BY	CHECKED BY	APPROVED BY	UNIT	m/m	SCALE	1 / 1	
FINISHING	Nickel Plated		鐘學峰	余倩	鐘學峰					
TOLERANCES										
VERSION	B		2009.1.15	2009.1.15	2009.1.15					