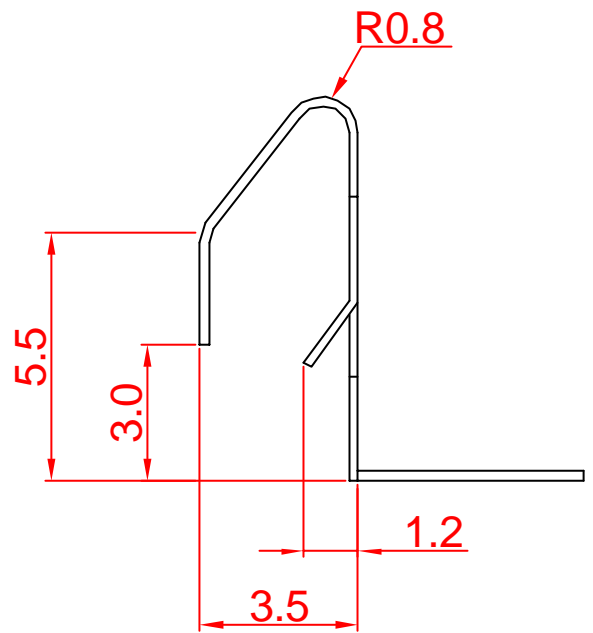
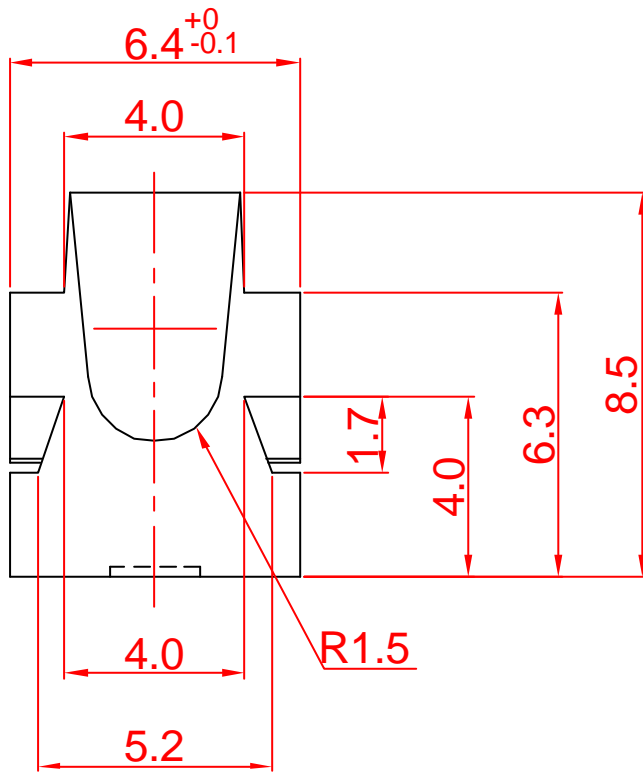


t=0.2



					MODEL NAME:				
Third Angle Projection					DRAWING NO.				
					CODE NO.				
2009.1.15 Zhong xue feng 品名更改,原: 00822-000- 彈片; 刪除圖號:					PATH:		Contact\Part		
MATERIAL	Phosphor Bronze	APPROVED SIGNATURES	DRAWN BY	CHECKED BY	APPROVED BY	UNIT	m/m	SCALE	1 / 1
FINISHING	Nickel Plated		鐘學峰	余倩	鐘學峰				
TOLERANCES									
VERSION	B		2009.1.15	2009.1.15	2009.1.15				