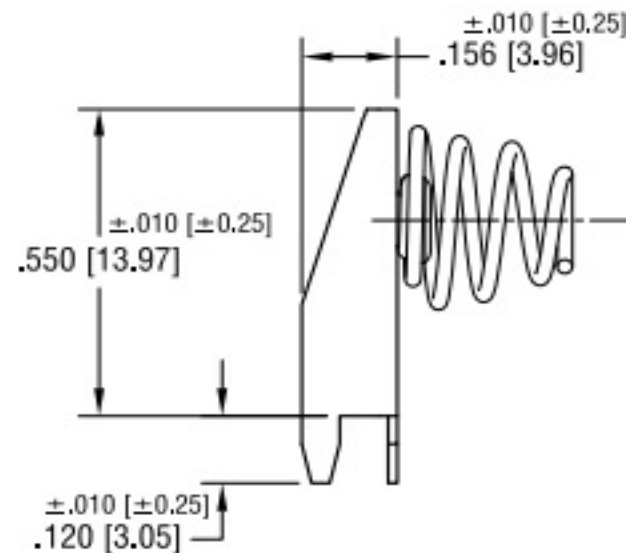
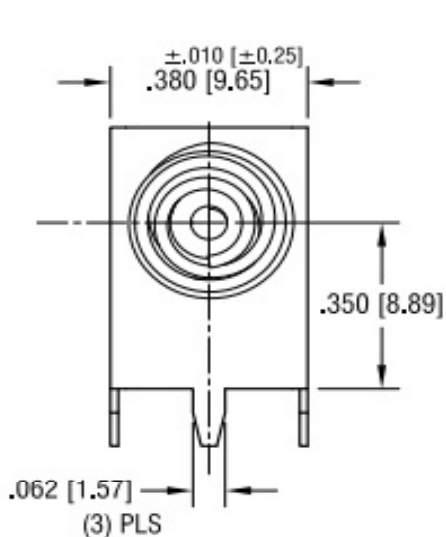
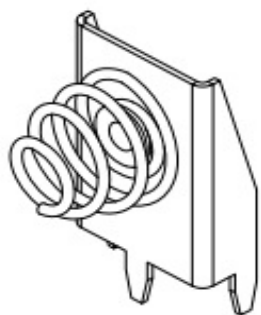


EDCON-COMPONENTS



Drawing inch / mm



Note

Material: Stainless Steel
 Thickness: 0.015 / 0,38 inch/mm
 Surface: Matt TIN PLATE
 Spring Mat.: Music Wire
 Thickness: Dia. 0.025 / 0,63 inch/mm
 Surface: NICKEL PLATE

Tolerances

Inch .+/-0,01
 mm .+/-0,25
 Angle .+/-2°

Unless otherwise specified

DRW:	Jason	CHKD	Wilson	MATL:	Wilson	TOLERANCE	Mason	DATE	01.10.2019
APPD:	Schumi			FINISH	Jamy		Sheet No.		1 from 3

THT-PCB A Batterie-Clip with Spring	
Part No.:	B24034
Customer:	

www.edcon-components.com

email: info@edcon-components.com

EDCON-COMPONENTS



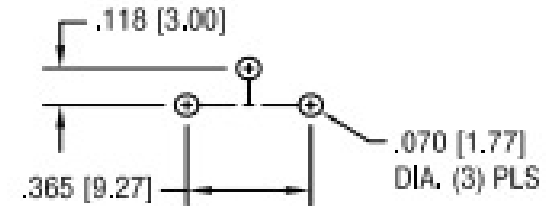
Ordering Informations

PCB Layout inch/mm Battery-Clip

Serie	Special function	Special Code	ROHS	Packing	
-------	------------------	--------------	------	---------	--

B24034	N	N	R	BU	
---------------	----------	----------	----------	-----------	--

N = No special function	N = No special function	R = ROHS Conform	BU = Bulk-Ware



**THT-PCB A Batterie-Clip
with Spring**

Part No.: **B24034**

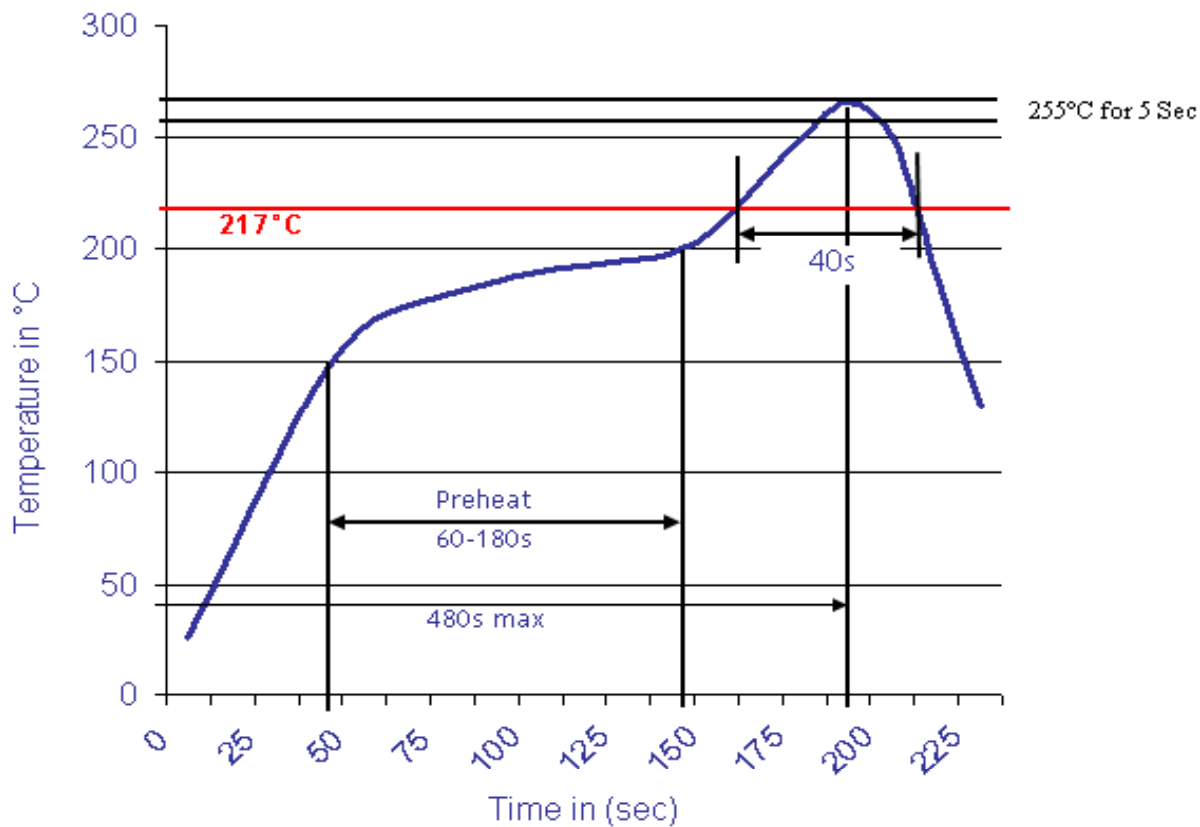
DRW:	Jason	CHKD	Wilson	MATL:	Wilson	TOLERANCE	Mason	DATE	01.10.2019
APPD:	Schumi			FINISH	Jamy		Sheet No.		2 from 3

Customer:



Soldering Profile Curve

Classification Reflow Profile (JEDEC J-STD-020C)



THT-PCB A Batterie-Clip with Spring	
Part No.:	B24034
Customer:	

DRW:	Jason	CHKD	Wilson	MATL:	Wilson	TOLERANCE	Mason	DATE	01.10.2019
APPD:	Schumi			FINISH	Jamy		Sheet No.		3 from 3