



Technical Specifications

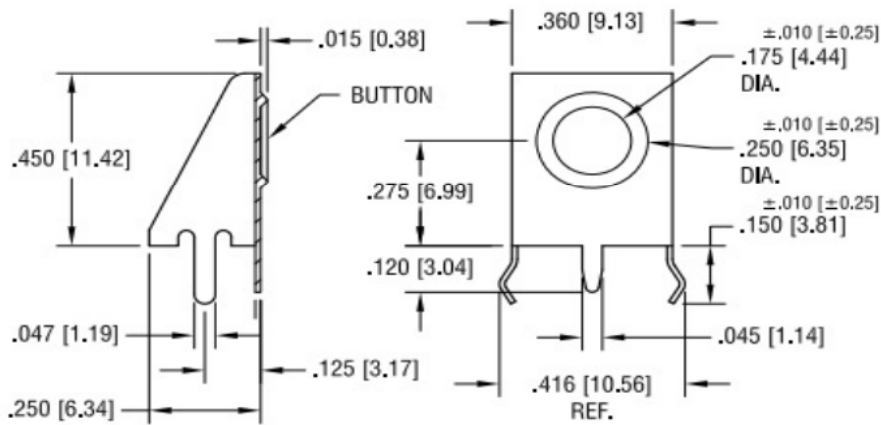
Material

Contact: Button Steel Tin-Nickel plated

PCB Snap On Contacts

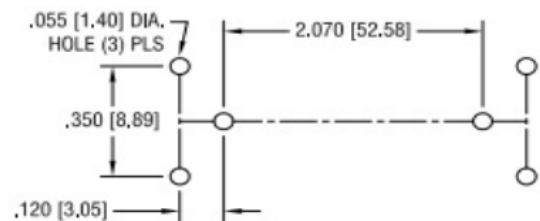
- Space saving design install directly on PC Board
- Ideal for self contained battery components
- Reliable leaf spring assures low contact resistance
- Snap In mounting legs hols contact secure during wave soldering
- Horizontal Mounting style

Drawing



PCB-Mounting Dimension

This Layout is for AA Battery using One Button Contact B24003 + One Button Contactg B24033



Ordering Information

Serie	Terminations	Specail Features	ROHS	Packing		
B24033	-	B	X	R	BU	

B= Button	X= NO Features	R= ROHS Conform	BU= Bulk-Ware
------------------	-----------------------	------------------------	----------------------

Spring 9 V PCB Clip	
Part No.:	B24033
Customer:	

DRW:	Jason	CHKD	Jules	MATL:	Wu	DATE	26.06.2015
APPD:	Join			FINISH	Shieh	Sheet	1 from 2

Copyright by S.Tiede