



Technical Specification

Insulator Material:	Nylon 46 UL94V-0
Contact Resistance:	30m Ohm max.
Insulator Resistance:	1000M Ohm max.
Temperature Rating:	.-50°C ~ 145°C
Contact Material:	Steel
Contact:	Gold Flash Plated
Dielectric Voltage:	750VAC
Durability:	50 Cycles min.
Application for:	Coin Cell
Battery Type: 1Cell	2450
Battery Type: 2Cell	Not available

Dimension of Holder

Inch					

mm					

Ordering Information

Serie	Contact Material	Contact Plating	ROHS	Packing		
-------	------------------	-----------------	------	---------	--	--

B23128	-	ST	NI	R	BU	
---------------	---	-----------	-----------	----------	-----------	--

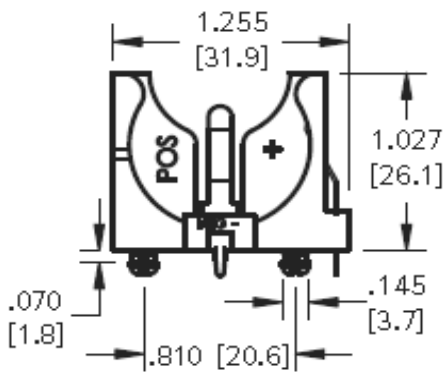
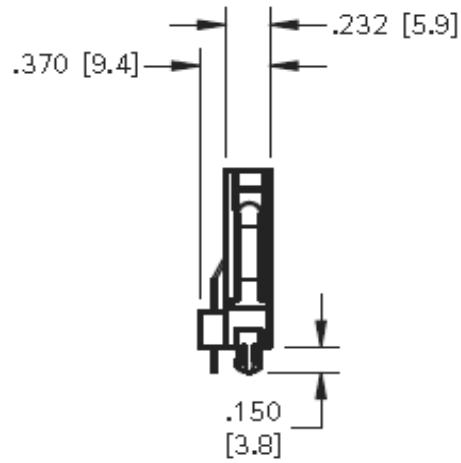
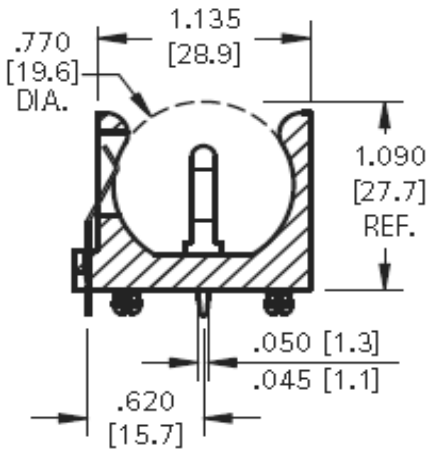
		N= Non ROHS	BU= Bulk-Ware
ST= Steel		R= ROHS Conform	TR= Tape / Reel
	NI= Nickel plated		

Battery Coin Cell Holder THT	
Part No.:	B23128
Customer:	
DRW:	Jason
APPD:	Join
CHKD:	CHKD
Jules	
MATL:	Wu
FINISH:	Shieh
DATE:	04.11.2018
Sheet:	1 from 3

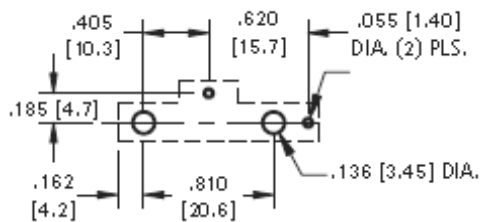
DRW:	Jason	CHKD:	CHKD	Jules	MATL:	Wu	DATE:	04.11.2018
APPD:	Join				FINISH:	Shieh	Sheet:	1 from 3



Technical Dimensions (inch / mm)



PCB Layout (inch / mm)



**Battery Coin Cell Holder
 THT**

Part No.: **B23128**

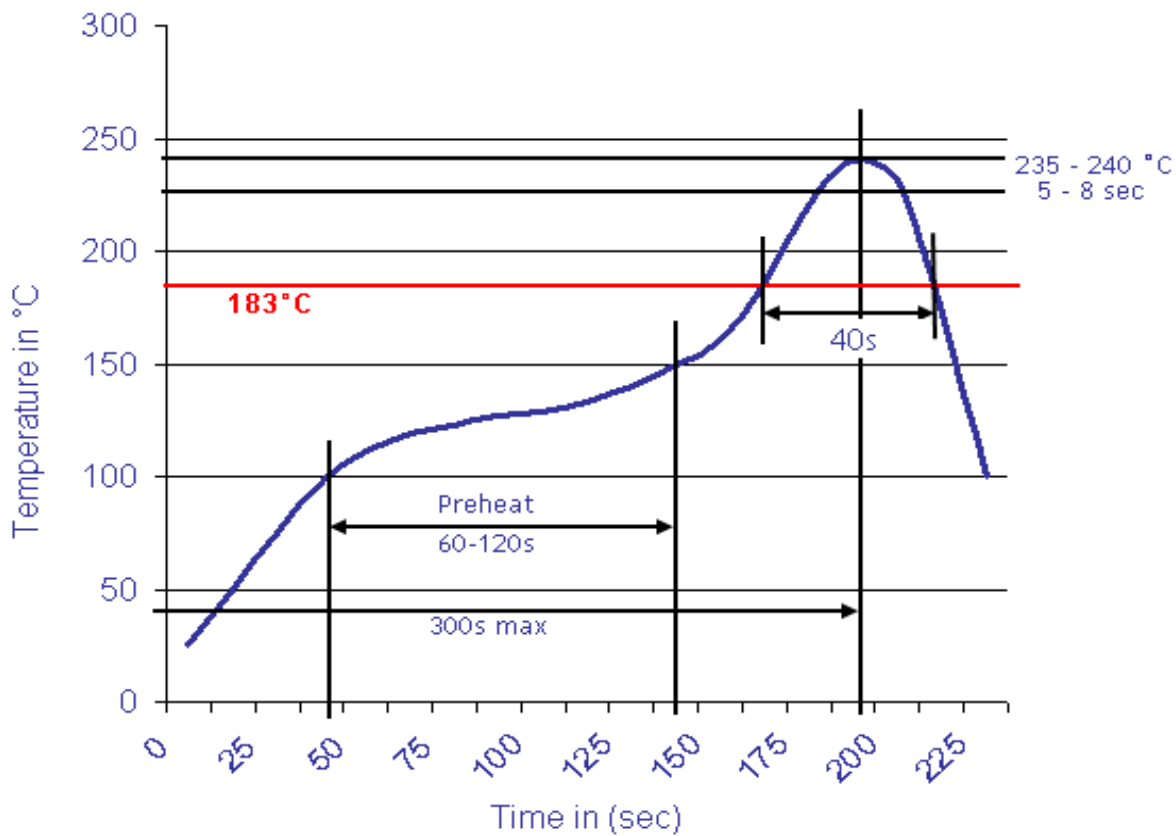
Customer:

DRW:	Jason	CHKD	Jules	MATL:	Wu	DATE	04.11.2018
APPD:	Join			FINISH	Shieh	Sheet	2 from 3



Soldering Profile Curve

Classification Reflow Profile (JEDEC J-STD-020C)



Battery Coin Cell Holder THT	
Part No.:	B23128
Customer:	

DRW:	Jason	CHKD	Jules	MATL:	Wu	DATE	04.11.2018
APPD:	Join			FINISH	Shieh	Sheet	3 from 3