



Technical Specification

Insulator Material:	High Temperature Nylon 46 UL94V-0
Contact Resistance:	30m Ohm max.
Insulator Resistance:	1000M Ohm max.
Temperature Rating:	-.55°C ~ 85°C
Contact Material:	Phosphor Bronze
Contact:	Gold Flash Plated
Dielectric Voltage:	750VAC
Durability:	50 Cycles min.
Application for:	Coin Type
Battery Type: 1Cell	2032

Dimension of Holder

Inch					

mm					

Ordering Information

Serie	Contact Material	Contact Plating	ROHS	Packing		
B23114	ST	GF	R	BU		

PB= Phosphor Bronze		N= Non ROHS	BU= Bulk- Ware
	GF= Gold Flash	R= ROHS Conform	TR= Tape / Reel

Battery Coin Cell Holder SMD Sink-Type

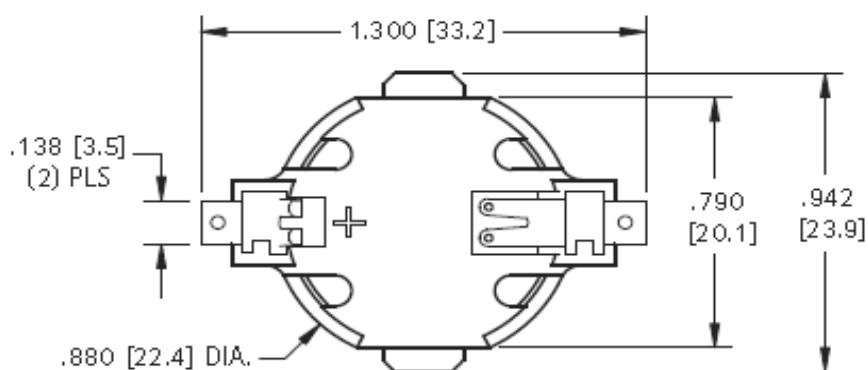
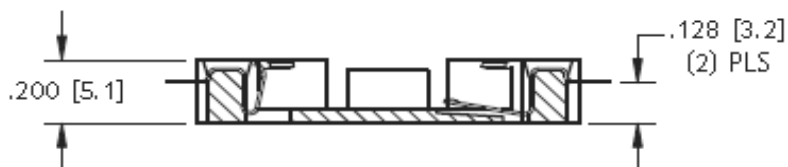
Part No.: **B23114**

Customer:

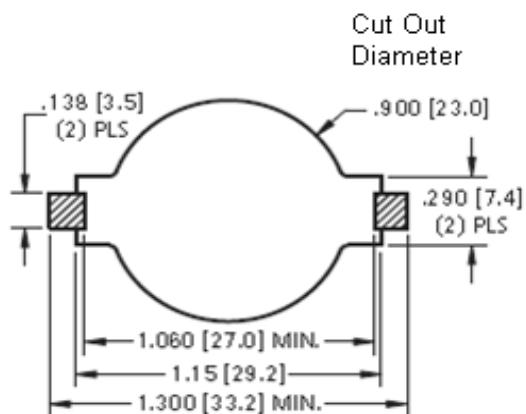
DRW:	Jason	CHKD	Jules	MATL:	Wu	DATE	04.11.2018
APPD:	Join			FINISH	Shieh	Sheet	1 from 3



Technical Dimensions (inch / mm)



PCB Layout (inch / mm)



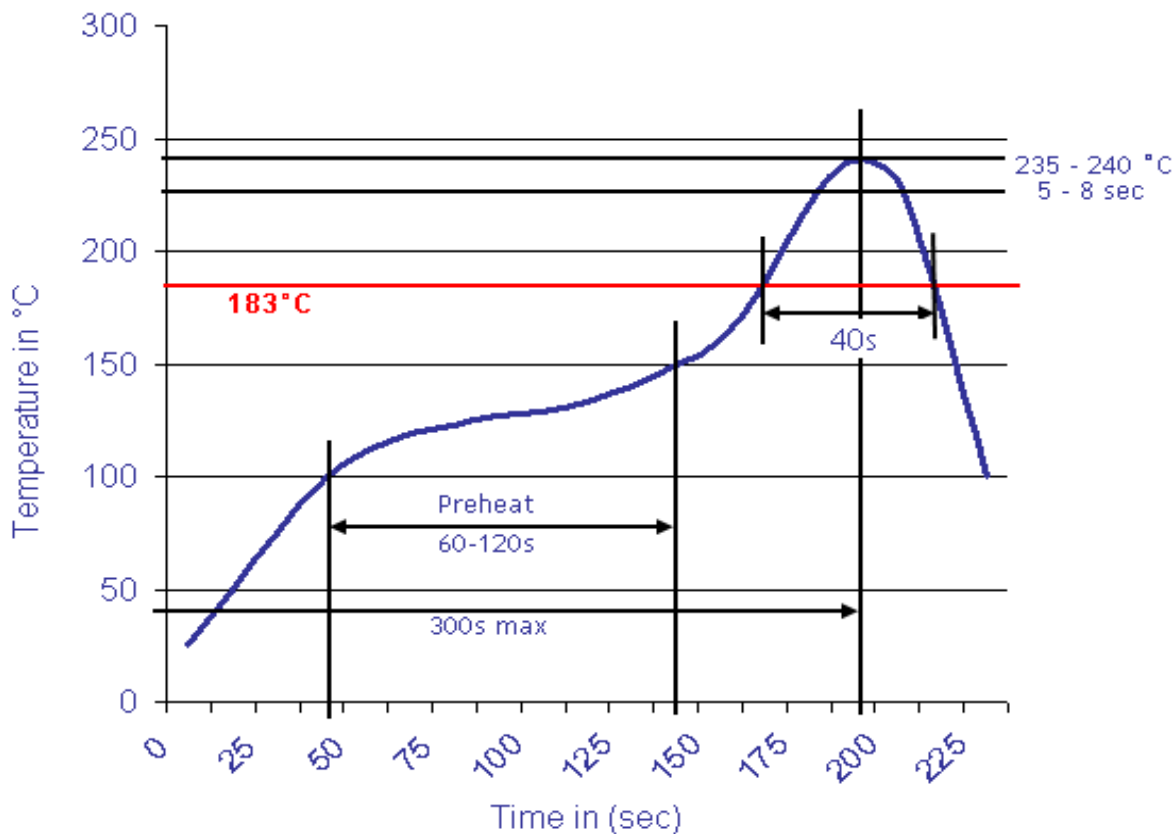
Battery Coin Cell Holder SMD Sink-Type	
Part No.:	B23114
Customer:	

DRW:	Jason	CHKD	Jules	MATL:	Wu	DATE	04.11.2018
APPD:	Join			FINISH	Shieh	Sheet	2 from 3



Soldering Profile Curve

Classification Reflow Profile (JEDEC J-STD-020C)



Battery Coin Cell Holder SMD Sink-Type	
Part No.:	B23114
Customer:	

DRW:	Jason	CHKD	Jules	MATL:	Wu	DATE	04.11.2018
APPD:	Join			FINISH	Shieh	Sheet	3 from 3