

# EDCON-COMPONENTS

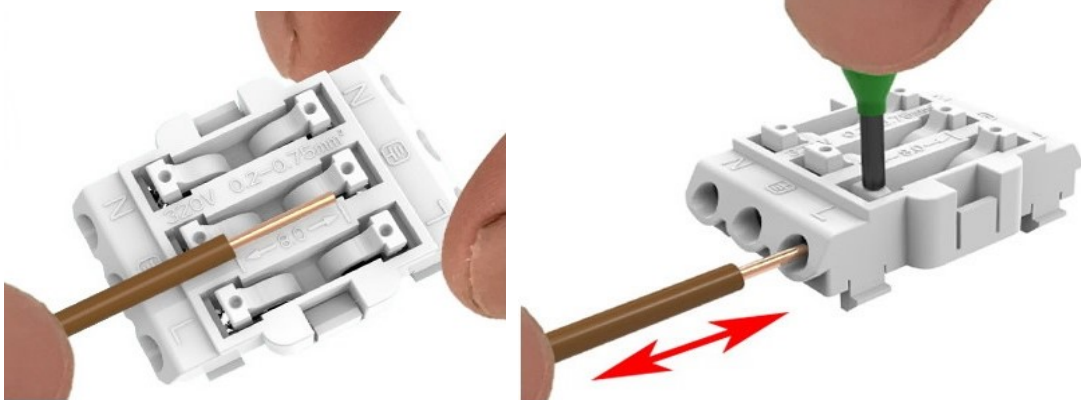
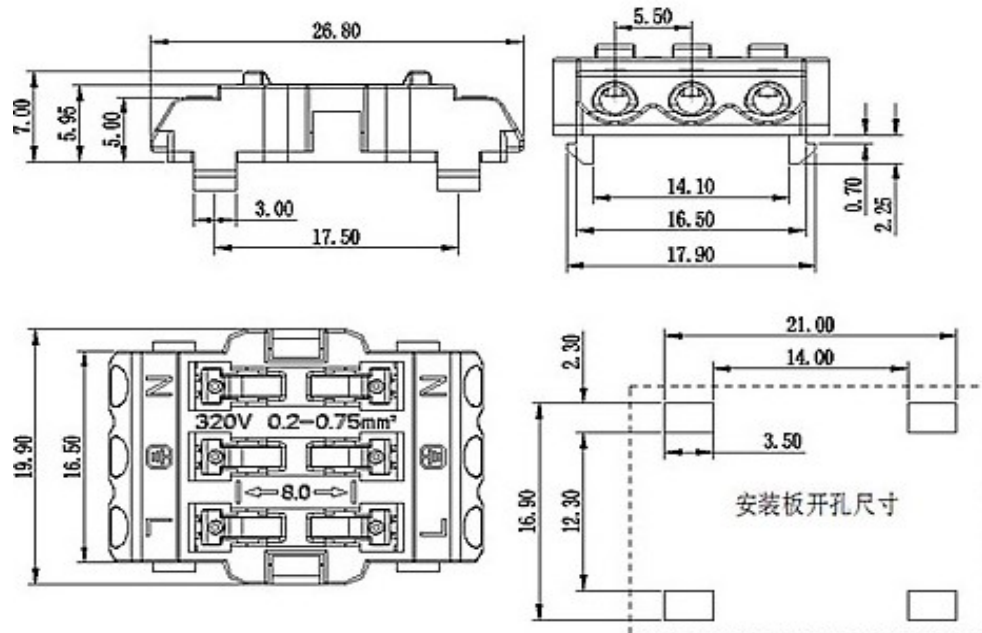


## Description

### Approval

Standard:	IEC	UL
Voltage	320Volt	320Volt
Current	9A	9A
wire Size	0,2~0,75mm <sup>2</sup>	AWG24~18
Pitch	5,5mm	5,5mm
Poles	3P	3P

### Dimensions (mm)



## Screwless Lamp-Terminals

Part No.: **A46047**

DRW:	Jason	CHKD	Wilson	MATL:	Wilson	TOLERANCE	Mason	DATE	29.10.2023
APPD:	Schumi			FINISH	Jamy		Sheet No.		1 from 2

[www.edcon-components.com](http://www.edcon-components.com)

email: [info@edcon-components.com](mailto:info@edcon-components.com)

# EDCON-COMPONENTS



## Ordering Informations

Serie	No od Pos.	Body Colour	Special Function	Special Function	Special Function	ROHS	Packing	
<b>A46047</b>	<b>03</b>	<b>LG</b>	<b>0</b>	<b>0</b>	<b>0</b>	<b>R</b>	<b>BU</b>	

<b>03= 3 Pos.</b>	<b>LG= Light Gray</b>	<b>0= No function</b>	<b>0= No function</b>	<b>0= No function</b>	<b>R= ROHS Conform</b>	<b>BU= Bulk - Ware into Polybag</b>
					<b>N= NON ROHS Conform</b>	<b>IV= Individual Packing</b>

### Screwless Lamp-Terminals

Part No.: **A46047**

Customer:

DRW:	Jason	CHKD	Wilson	MATL:	Wilson	TOLERANCE	Mason	DATE	29.10.2023
APPD:	Schumi			FINISH	Jamy		Sheet No.		2 from 2

[www.edcon-components.com](http://www.edcon-components.com)

email: [info@edcon-components.com](mailto:info@edcon-components.com)