

EDCON-COMPONENTS

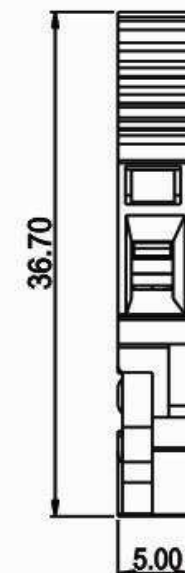
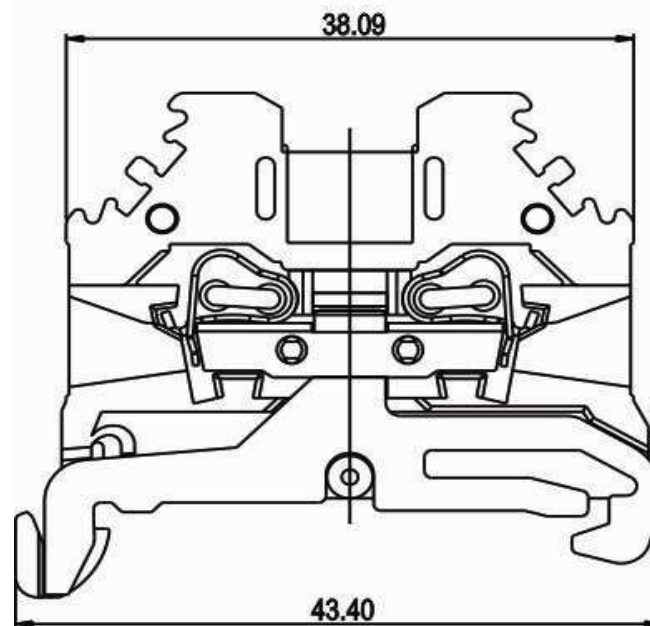
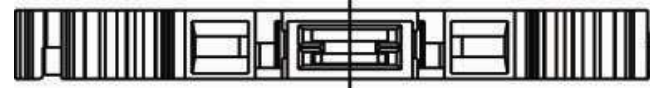


Technical Discription

Electrical

Electrical Ranges	UL	IEC
Voltage		
Current		
Wire Size	28-14AWG	0,2-2,5mm ²
Rated Surge Voltage		8KV
Contamination class		3
Stripping length		9mm
Insulation Material		PA
Flamm Class		V-0

Drawing (Dimension in mm)



DIN Rail Ground Screwless Terminal Block 2,5mm²

Part No.: **A30019**

Customer:

DRW:	Jason	CHKD	Wilson	MATL:	Wilson	TOLERANCE	Mason	DATE	08.03.2013
APPD:	Schumi			FINISH	Jamy		Sheet No.	1 from 2	

www.edcon-components.com

email: info@edcon-components.com

EDCON-COMPONENTS



Ordering Informations

Serie	No. of Pos.	Body Color	Special function	ROHS	Packing	EDCON Cust. No.	Customer Version			
A30019	01	YG	0	R	BX	xxxxxx	xxx			

01 = Number of Pos. Standard 1 Pos.	YG = Yellow / Green	0 = no special function	R = ROHS Conform N = NON ROHS Conform	BX = Box Packing IV = Individual Package	xxxxxx = Customer Number	xxx = Customer Version ??(Printing)
---	----------------------------	--------------------------------	--	---	---------------------------------	---

DIN Rail Ground Screwless Terminal Block 2,5mm²

Part No.: **A30019**

DRW:	Jason	CHKD	Wilson	MATL:	Wilson	TOLERANCE	Mason	DATE	08.03.2013
APPD:	Schumi			FINISH	Jamy			Sheet No.	2 from 2

Customer:

