

EDCON-COMPONENTS

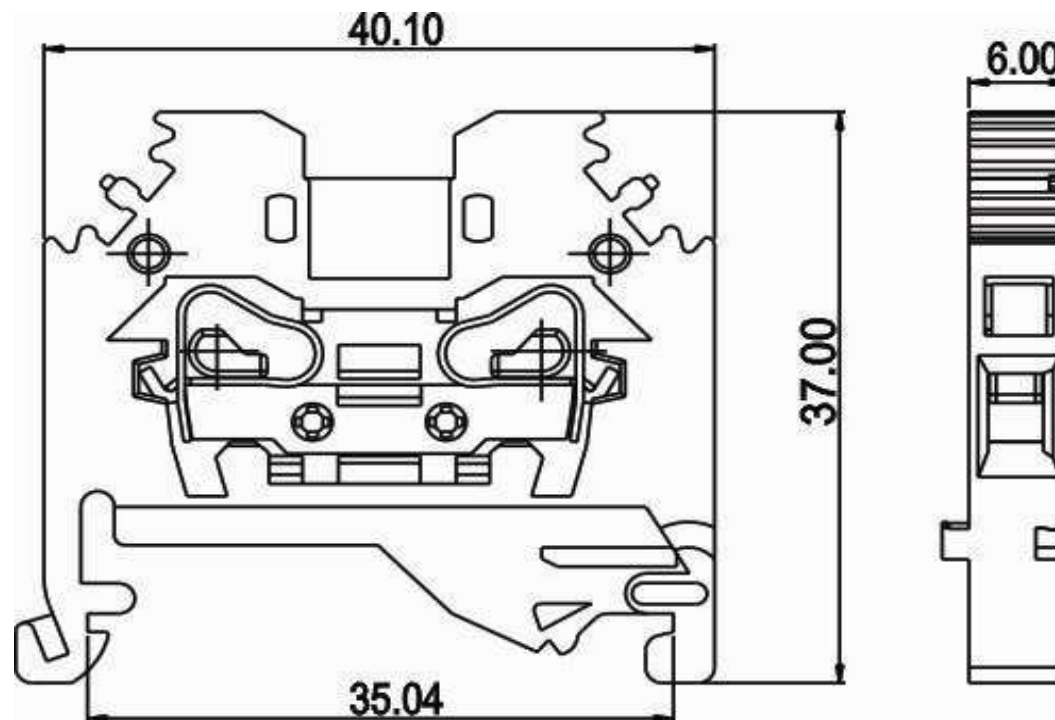


Technical Discription

Drawing (Dimension in mm)

Electrical

Electrical Ranges	UL	IEC
Voltage	600V	800V
Current	20A	32A
Wire Size	28-12AWG	0,2-4mm ²
Rated Surge Voltage	8KV	
Contamination class	3	
Stripping length	10mm	
Insulation Material	PA	
Flamm Class	V-0	



Accessories	Part-No.
End-Cover	A30003A
Jumper 1	A30003B
Jumper 2	A30003C
Warning Maker	A30003D
Zack-Strip	A30003E

DIN Rail Screwless Terminal Block

Part No.: **A30003**

Customer:

DRW:	Jason	CHKD	Wilson	MATL:	Wilson	TOLERANCE	Mason	DATE	08.03.2013
APPD:	Schumi			FINISH	Jamy		Sheet No.	1 from 2	

www.edcon-components.com

email: info@edcon-components.com

EDCON-COMPONENTS



Ordering Informations

Serie	No. of Pos.	Body Color	Special function	ROHS	Packing	EDCON Cust. No.	Customer Version			
A30003	01	GY	0	R	BX	xxxxxx	xxx			

01 = Number of Pos.	WH = White	0 = No special function	R = ROHS Conform	BX = Box Packing	xxxxxx = Customer Number	xxx = Customer Version ??(Printing)
Standard 1 Pos.	GN = Green		N = NON ROHS Conform	IV = Individual Package		
	GY Gray					
	RD = Red					
	OR = Orange					
	BL = Blue					
	BK = Black					
	YE = Yellow					

DIN Rail Screwless Terminal Block

Part No.: **A30003**

DRW:	Jason	CHKD	Wilson	MATL:	Wilson	TOLERANCE	Mason	DATE	08.03.2013
APPD:	Schumi			FINISH	Jamy			Sheet No.	2 from 2

Customer:

