

# EDCON-COMPONENTS



## Technical Description

## Drawing (Dimension in mm)

### Electrical

Rated Voltage 300Volt  
 Rated Current 16A @ 85°C  
 Wire Range 0,5 ~ 2,5mm<sup>2</sup>

### Mechanical

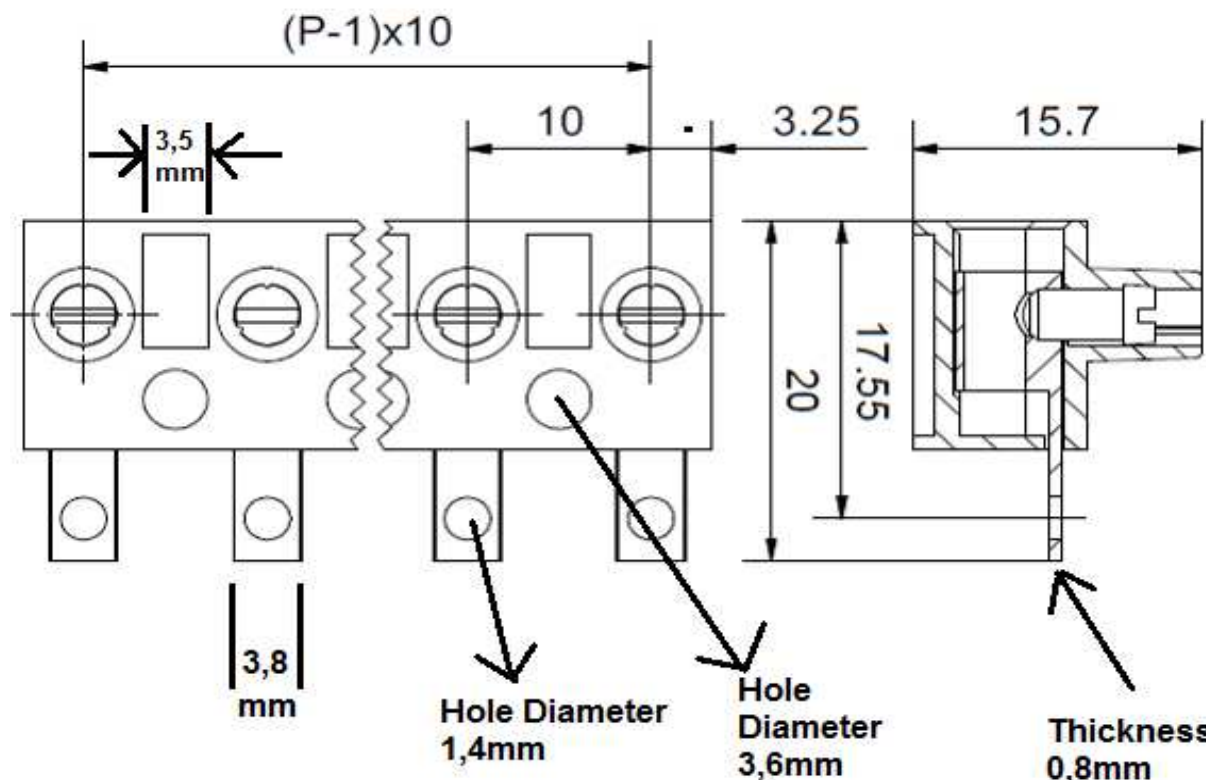
Operating Temperature -40°C ~ +100°C  
 Wire Strip Length 6,5-7mm  
 Screw Torque max. 0,5N  
 Screw Size M3  
 Fixing: by srew or rivet Ø 3,5mm

### Dimensions

Pitch 10mm  
 Poles 2 ~ 12 Pos.  
 Connection Solder Tag 0,5~2,5mm<sup>2</sup>  
 Screw conductor size 0,5 ~ 4,0mm<sup>2</sup>

### Materials

Housing Polyamide 6/6 white  
 Contact Brass Tin Plated  
 Screw Steel zinc plated / chromed



**Terminal Block with Solder Tag**

Part No.: **A15A050**

Customer:



DRW:	Jason	CHKD	Wilson	MATL:	Wilson	TOLERANCE	Mason	DATE	04.03.2014
APPD:	Schumi			FINISH	Jamy		Sheet No.		1 from 2

# EDCON-COMPONENTS



## Ordering Informations

Serie	No. of Pos.	Body Color	Screw Type	ROHS	Approval	Packing	EDCON Cust. No.	Customer Version		
<b>A15A050</b>	<b>02</b>	<b>WH</b>	<b>A</b>	<b>R</b>	<b>N</b>	<b>B</b>	<b>xxxxxx</b>	<b>xxx</b>		

<b>02=</b> Number of Pos. Standard 2~12 Pos.	<b>WH=</b> White	<b>A=</b> Slotted Screw Type (Standard) <b>B=</b> Cross Slotted Screw Type	<b>R=</b> ROHS Conform <b>N=</b> NON ROHS Conform	<b>N=</b> NON Approval <b>A=</b> UL /UR Approval Please consult EDCON for available	<b>B=</b> Bulk-Ware <b>I=</b> Individual Package	<b>xxxxxx=</b> Customer Number	<b>xxx=</b> Customer Version ??(Printing)
		<b>Screw Type A</b> <b>Type B</b>	 	<b>B=</b> VDE Approval Please consult EDCON for available			
				<b>C=</b> TÜV Approval Please consult EDCON for available			

**Terminal Block with Solder Tag**

Part No.: **A15A050**

DRW:	Jason	CHKD	Wilson	MATL:	Wilson	TOLERANCE	Mason	DATE	04.03.2014
APPD:	Schumi			FINISH	Jamy		Sheet No.		2 from 2

Customer: