

# Data Sheet

## Pluggable Terminal Block (Plug)

**Pitch: 15,00 mm**

**Serie: A14W002**

### Customer Information for special Item

**EDCON Customer : 0**

**Customer Version No. : 0**

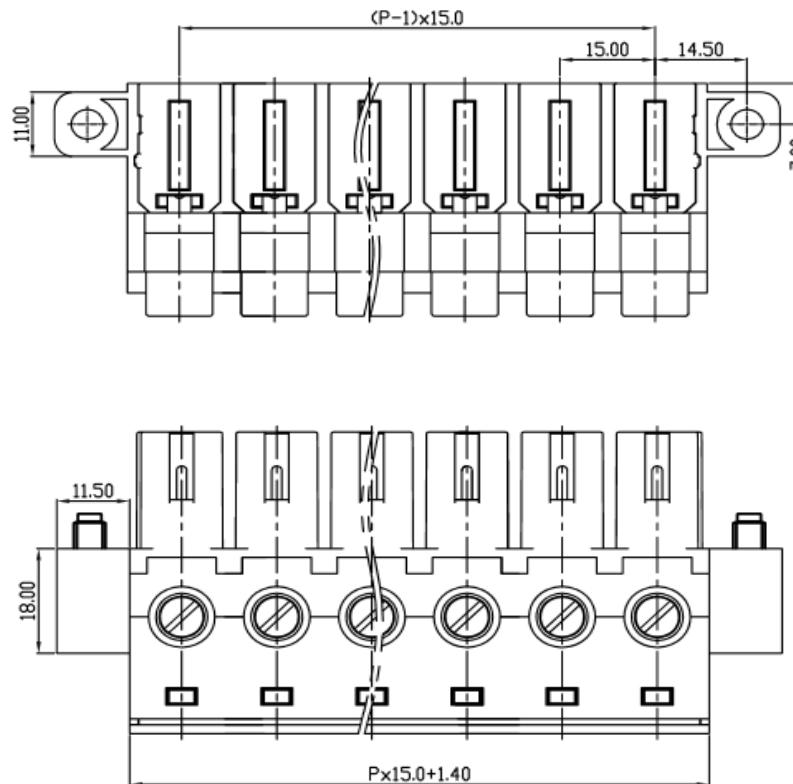
# EDCON-COMPONENTS



## Technical Discription

|                       |              |                               |
|-----------------------|--------------|-------------------------------|
| <b>Electrical</b>     | UL           | VDE                           |
| Rated Voltage         | 600Volt      | 1000                          |
| Rated Current         | 115A         | 125                           |
| Wire Range            |              | 35mm <sup>2</sup>             |
| Wire Range AWG-Size   | 20 ~ 2       |                               |
| Withstanding Voltage  |              | 8,0KV                         |
| Withstanding Voltage  | 2,5KV        | 2200V/1Min                    |
| Insulation Resistance | 5000MΩ / 1KV |                               |
| <b>Mechanical</b>     |              |                               |
| Operating Temperature |              | -40°C ~ +105°C                |
| Wire Strip Length     |              | 19-20mm                       |
| Screw Torque (Nm)     |              | 2,0                           |
| Screw Size            |              | M5                            |
| <b>Dimensions</b>     |              |                               |
| Pitch (mm)            |              | 15,00                         |
| Poles                 |              | 2 ~ 10 Pos.                   |
| <b>Materials</b>      |              |                               |
| Terminal Housing      |              | PA66, UL94V-0                 |
| Pin                   |              |                               |
| Screw                 |              | Steel Ni-plated / Zinc Plated |
| Cage                  |              | Copper - Alloy / Tin-Plated   |

## Drawing (Dimension in mm)



|       |        |      |        |        |                            |           |           |          |            |  |
|-------|--------|------|--------|--------|----------------------------|-----------|-----------|----------|------------|--|
|       |        |      |        |        | Unspecified Tolerance (mm) |           |           |          |            | <b>Pluggable Terminal Block (Plug)</b> |
|       |        |      |        |        | X.                         | X.x       | X.xx      | X.xxx    | X.xxxx     |  |
|       |        |      |        |        | 0,5                        | 0,4       | 0,35      | 0,3      |            | Part No.: <b>A14W002</b>               |
| DRW:  | Jason  | CHKD | Wilson | MATL:  | Wilson                     | TOLERANCE | Mason     | DATE     | 21.04.2022 | Customer:                              |
| APPD: | Schumi |      |        | FINISH | Jamy                       |           | Sheet No. | 1 from 3 |            |  |

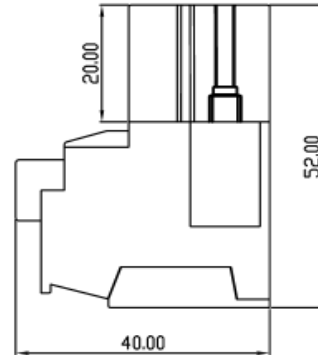
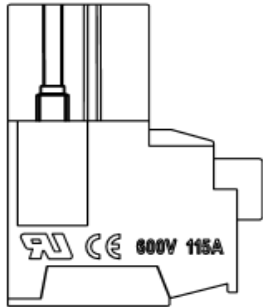
[www.edcon-components.com](http://www.edcon-components.com)

email: [info@edcon-components.com](mailto:info@edcon-components.com)

# EDCON-COMPONENTS



Dimension Tolerance (mm)



**Pluggable Terminal Block  
(Plug)**

Part No.: **A14W002**

|       |        |      |        |        |        |           |           |          |            |           |
|-------|--------|------|--------|--------|--------|-----------|-----------|----------|------------|-----------|
| DRW:  | Jason  | CHKD | Wilson | MATL:  | Wilson | TOLERANCE | Mason     | DATE     | 21.04.2022 | Customer: |
| APPD: | Schumi |      |        | FINISH | Jamy   |           | Sheet No. | 2 from 3 |            |           |



# EDCON-COMPONENTS



## Ordering Informations

| Serie          | No. of Pos. | Body Color | Screw Type | Approval Code | ROHS     | Packing  | EDCON Cust. No. | Customer Version |  |  |
|----------------|-------------|------------|------------|---------------|----------|----------|-----------------|------------------|--|--|
| <b>A14W002</b> | <b>02</b>   | <b>PG</b>  | <b>A</b>   | <b>N</b>      | <b>R</b> | <b>B</b> |                 |                  |  |  |

Pitch  
15,00

|   |                              |   |   |  |                                       |                         |                                       |
|---|------------------------------|---|---|--|---------------------------------------|-------------------------|---------------------------------------|
| 02= Number of Pos.<br>Standard 2 ~ 10Pos. | PG= Phoenix Green (Standard) | A= Slotted Screw Type (Standard)<br> | N= NON Approval<br>A= UL /UR Approval<br>Please consult EDCON for available | R= ROHS Conform<br>N= NON ROHS Conform | B= Bulk-Ware<br>I= Individual Package | xxxxxx= Customer Number | xxx= Customer Version<br>??(Printing) |
|   | WH= White                    |   |   |  |                                       |                         |                                       |
|   | GN= Green                    | B= Cross Slotted Screw Type<br>      | B= VDE Approval<br>Please consult EDCON for available                       |  |                                       |                         |                                       |
|   | GY= Gray                     |   |   |  |                                       |                         |                                       |
|   | LG= Light Gray               |   |   |  |                                       |                         |                                       |
|   | OR= Orange                   | C= Screwless Type   | C= TÜV Approval<br>Please consult EDCON for available                       |  |                                       |                         |                                       |
|   | BL= Blue                     |   |   |  |                                       |                         |                                       |
| BK= Black                                 |                              |   |   |  |                                       |                         |                                       |

|  |                |
|--|----------------|
| <b>Pluggable Terminal Block (Plug)</b> |                |
| Part No.:                              | <b>A14W002</b> |
| Customer:                              |                |

|       |        |      |        |        |        |           |           |      |            |
|-------|--------|------|--------|--------|--------|-----------|-----------|------|------------|
| DRW:  | Jason  | CHKD | Wilson | MATL:  | Wilson | TOLERANCE | Mason     | DATE | 21.04.2022 |
| APPD: | Schumi |      |        | FINISH | Jamy   |           | Sheet No. |      | 3 from 3   |