

Data Sheet

Screw Terminal Plug w. Mounting Screw (High)

Pitch: 5,08 mm

Serie: A14M197

Customer Information for special Item

EDCON Customer : 0

Customer Version No. : 0

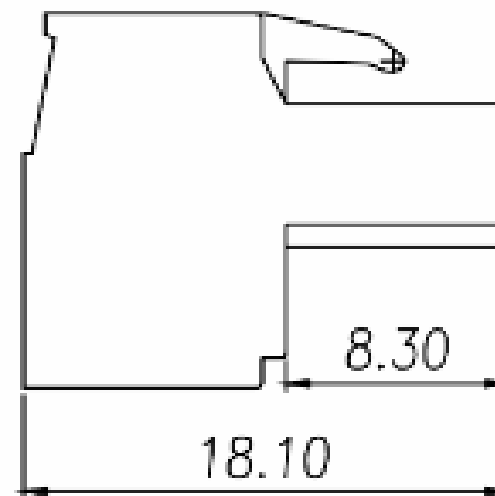
EDCON-COMPONENTS



Technical Discription

Drawing (Dimension in mm)

| Electrical | UL | IEC | TÜV |
|-------------------------------|-----------------|-----|-----|
| Rated Voltage (V) | 300 | 320 | |
| Rated Current (A) | 15 | 20 | |
| Wire Range (mm ²) | 0,5~2,5 | | |
| Wire Range AWG-Size | 28 ~ 12 | | |
| Withstanding Voltage (KV) | 1,6 | 1,6 | |
| Impuls Withst Voltage (KV) | 4 | 4 | |
| Insulation Resistance | | | |
| Mechanical | | | |
| Operating Temperature (°C) | -40°C ~ +105 | | |
| Wire Strip Length (mm) | .7~8 | | |
| Screw Torque | 0,5 | | |
| Screw Size | M3 | | |
| Materials | | | |
| Terminal Housing | PA66 | | |
| Imflammability | UL94V-0 | | |
| Contact Material | Copper Alloy | | |
| Contact Surface: | Tin Plated | | |
| Pin Dimension: (mm) | | | |
| PCB Hole Diameter (mm) | | | |
| Cage | Brass Ni Plated | | |
| Dimensions | | | |
| Pitch (mm) | 5,08 | | |
| Poles | 2 ~ 24 Pos. | | |



| Unspecified Tolerance (mm) | | | | |
|----------------------------|--------|------|-----------|----------|
| X. | X.x | X.xx | X.xxx | X.xxxx |
| 0,35 | 0,25 | 0,2 | 0,15 | |
| DRW: | Jason | CHKD | Wilson | MATL: |
| APPD: | Schumi | | FINISH | Jamy |
| | | | Sheet No. | 1 from 4 |

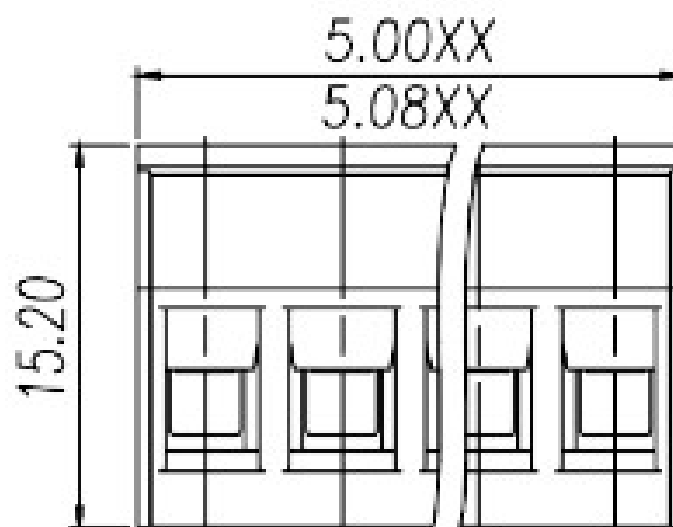
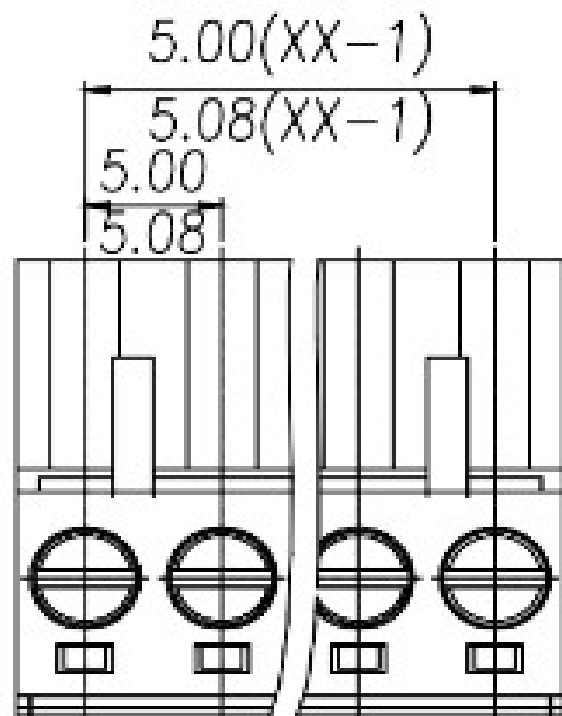
| | |
|---|----------------|
| Screw Terminal Plug w. Mounting Screw (High) | |
| Part No.: | A14M197 |
| Customer: | |

EDCON-COMPONENTS



Drawing (Dimension in mm)

Dimensions (mm)



**Screw Terminal Plug w.
Mounting Screw (High)**

Part No.: **A14M197**

| | | | | | | | | | | |
|-------|--------|---------|--------|-------|--------|------------|-------|----------|------------|-----------|
| DRW: | Jason | CHKD: | Wilson | MATL: | Wilson | TOLERANCE: | Mason | DATE: | 26.01.2024 | Customer: |
| APPD: | Schumi | FINISH: | Jamy | | | Sheet No. | | 2 from 4 | | |

www.edcon-components.com

email: info@edcon-components.com

Copyright by S.Tiede

EDCON-COMPONENTS



Ordering Informations

| Serie | No. of Pos. | Body Color | Approval | Approval Code | ROHS | Packing | EDCON Cust. No. | Customer Version | | |
|-------|-------------|------------|----------|---------------|------|---------|-----------------|------------------|--|--|
|-------|-------------|------------|----------|---------------|------|---------|-----------------|------------------|--|--|

| | | | | | | | | | | |
|----------------|-----------|-----------|----------|----------|----------|----------|--|--|--|--|
| A14M197 | 02 | PG | N | N | R | B | | | | |
|----------------|-----------|-----------|----------|----------|----------|----------|--|--|--|--|

| | | | | | | | | | | |
|---------------|---|--|--|--|--|--|---------------------------------|---|--|--|
| Pitch 5,08 | 02 = Number of Pos. Standard 2 ~ 24Pos. | PG = Phoenix Green (Standard) GY = Gray GN = Green OR = Orange BK = Black | N = No Approval 1 = Approval for Material 2 = Approval for Terminal Block | N = NON Approval A = UL /UR Approval Please consult EDCON for available B = VDE Approval Please consult EDCON for available C = TÜV Approval Please consult EDCON for available | R = ROHS Conform N = NON ROHS Conform | B = Standard Package I = Individual Package | xxxxxx = Customer Number | xxx = Customer Version ??(Printing) | | |
|---------------|---|--|--|--|--|--|---------------------------------|---|--|--|

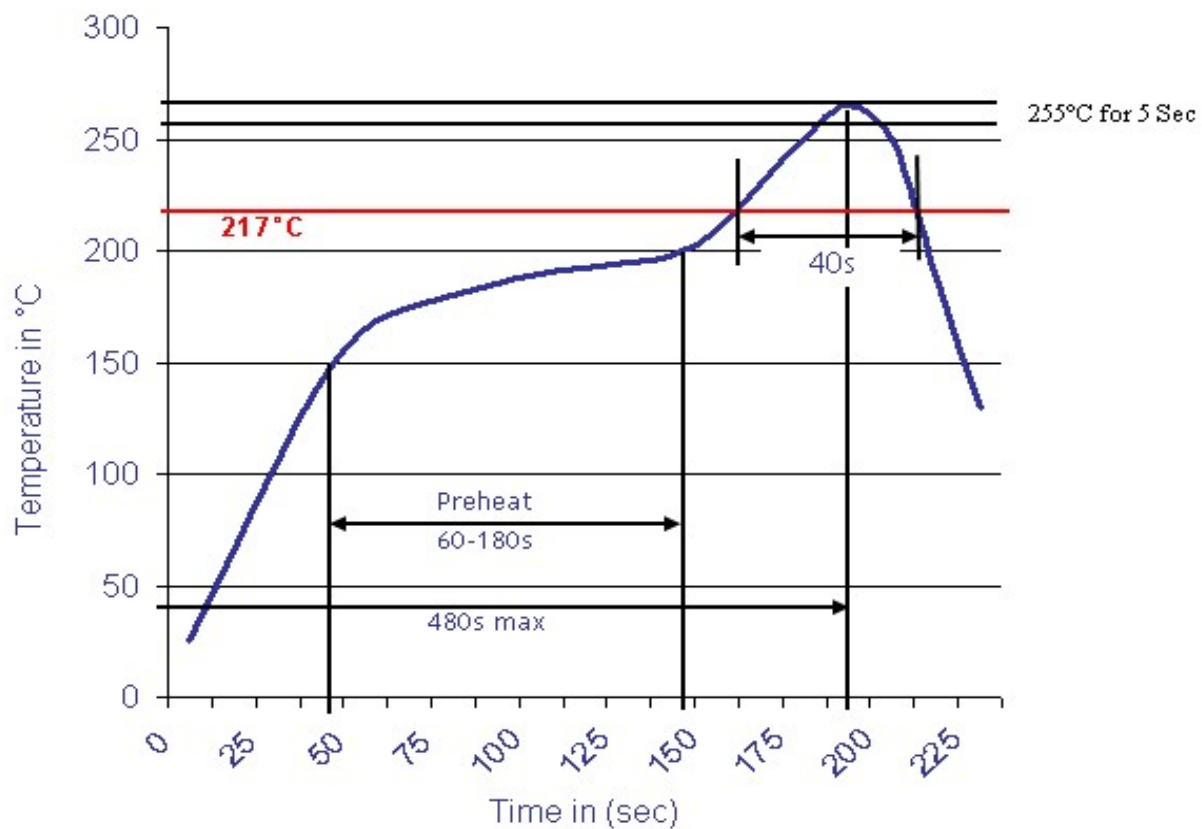
| | |
|---|----------------|
| Screw Terminal Plug w. Mounting Screw (High) | |
| Part No.: | A14M197 |
| Customer: | |

| | | | | | | | | | |
|-------|--------|------|--------|--------|--------|-----------|-----------|------|------------|
| DRW: | Jason | CHKD | Wilson | MATL: | Wilson | TOLERANCE | Mason | DATE | 26.01.2024 |
| APPD: | Schumi | | | FINISH | Jamy | | Sheet No. | | 3 from 4 |



Soldering Profile Curve

Classification Reflow Profile (JEDEC J-STD-020C)



| | |
|---|----------------|
| Screw Terminal Plug w. Mounting Screw (High) | |
| Part No.: | A14M197 |
| Customer: | |

| | | | | | | | | | |
|-------|--------|------|--------|--------|--------|-----------|-----------|----------|------------|
| DRW: | Jason | CHKD | Wilson | MATL: | Wilson | TOLERANCE | Mason | DATE | 26.01.2024 |
| APPD: | Schumi | | | FINISH | Jamy | | Sheet No. | 4 from 4 | |