

Data Sheet

Screw Terminal Plug w. Mounting Screw (Inverted)

Pitch: 5,08 mm

Serie: A14M195

Customer Information for special Item

EDCON Customer : 0

Customer Version No. : 0

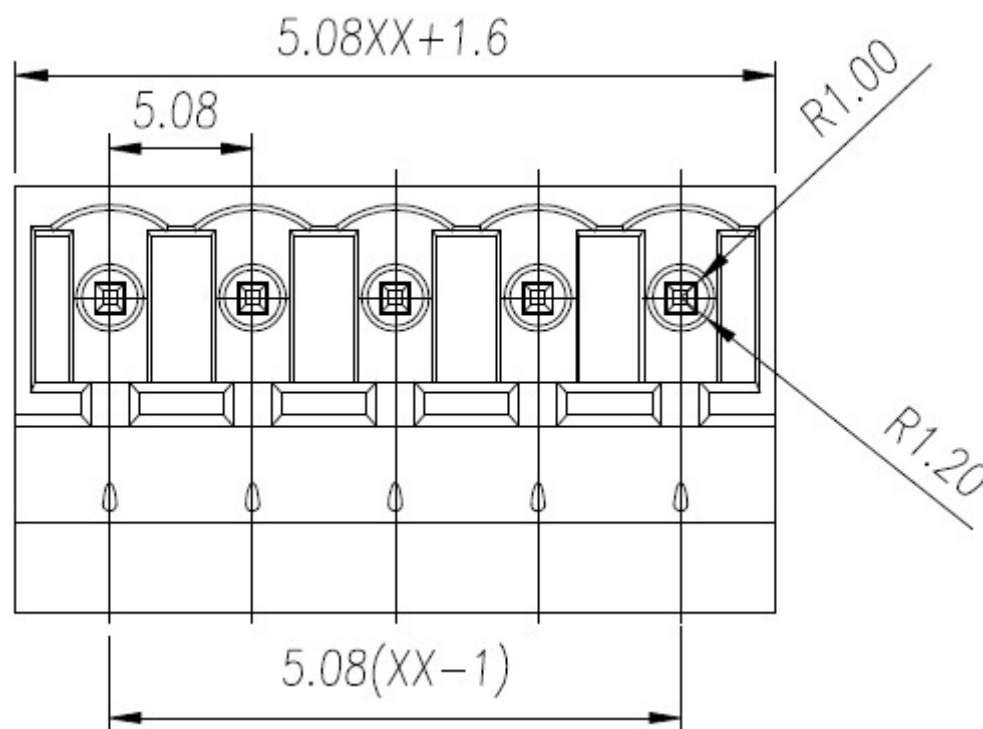
EDCON-COMPONENTS



Technical Discription

Electrical	UL	IEC	TÜV
Rated Voltage (V)	300	320	
Rated Current (A)	15	12	
Wire Range (mm ²)	0,5~2,5		
Wire Range AWG-Size	28 ~ 12		
Withstanding Voltage (KV)	1,6	1,6	
Impuls Withst Voltage (KV)	4	4	
Insulation Resistance			
Mechanical			
Operating Temperature (°C)	-40°C ~ +105		
Wire Strip Length (mm)	.7~8		
Screw Torque	0,5		
Screw Size	M3		
Materials			
Terminal Housing	PA66		
Imflammability	UL94V-0		
Contact Material	Copper Alloy		
Contact Surface:	Tin Plated		
Pin Dimension: (mm)			
PCB Hole Diameter (mm)			
Cage	Brass Ni Plated		
Dimensions			
Pitch (mm)	5,08		
Poles	2 ~ 24 Pos.		

Drawing (Dimension in mm)



Unspecified Tolerance (mm)				
X.	X.x	X.xx	X.xxx	X.xxxx
0,35	0,25	0,2	0,15	
DRW: Jason	CHKD Wilson	MATL: Wilson	DATE 23.07.2023	Sheet No. 1 from 4
APPD: Schumi	FINISH	Jamy		

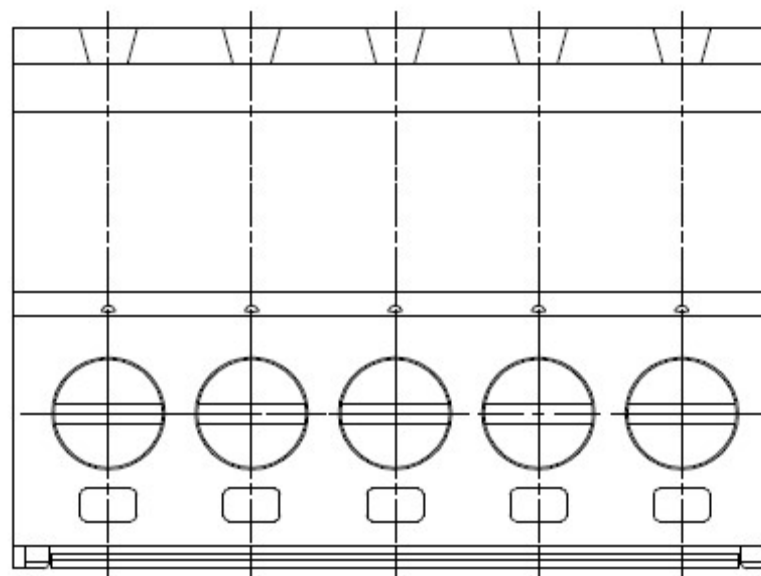
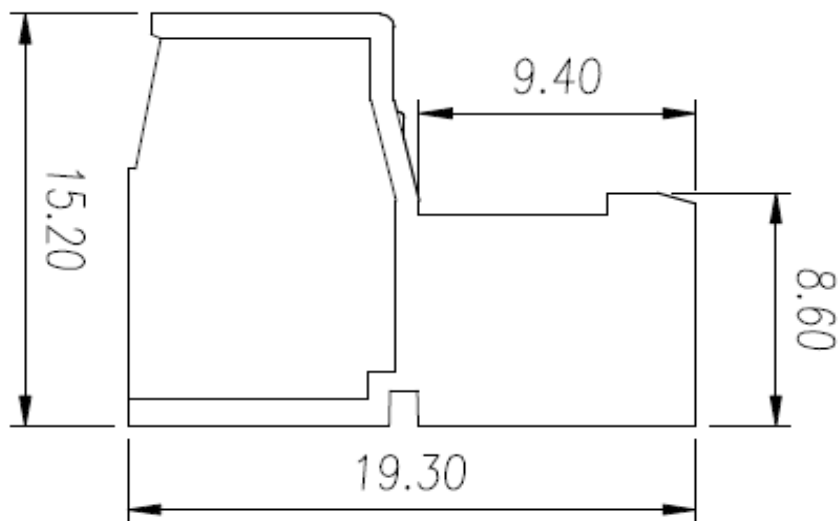
Screw Terminal Plug w. Mounting Screw (Inverted)	
Part No.:	A14M195
Customer:	

EDCON-COMPONENTS



Drawing (Dimension in mm)

Dimensions (mm)



Screw Terminal Plug w. Mounting Screw (Inverted)	
Part No.:	A14M195
Customer:	

DRW:	Jason	CHKD:	Wilson	MATL:	Wilson	TOLERANCE:	Mason	DATE:	23.07.2023
APPD:	Schumi	FINISH:	Jamy				Sheet No.		2 from 4

www.edcon-components.com

email: info@edcon-components.com

EDCON-COMPONENTS



Ordering Informations

Serie	No. of Pos.	Body Color	Approval	Approval Code	ROHS	Packing	EDCON Cust. No.	Customer Version		
-------	-------------	------------	----------	---------------	------	---------	-----------------	------------------	--	--

A14M195	02	PG	N	N	R	B				
----------------	-----------	-----------	----------	----------	----------	----------	--	--	--	--

Pitch 5,08	02 = Number of Pos. Standard 2 ~ 24Pos.	PG = Phoenix Green (Standard) GY = Gray GN = Green OR = Orange BK = Black	N = No Approval 1 = Approval for Material 2 = Approval for Terminal Block	N = NON Approval A = UL /UR Approval Please consult EDCON for available B = VDE Approval Please consult EDCON for available C = TÜV Approval Please consult EDCON for available	R = ROHS Conform N = NON ROHS Conform	B = Standard Package I = Individual Package	xxxxxx = Customer Number	xxx = Customer Version ??(Printing)
---------------	---	--	--	--	--	--	---------------------------------	---

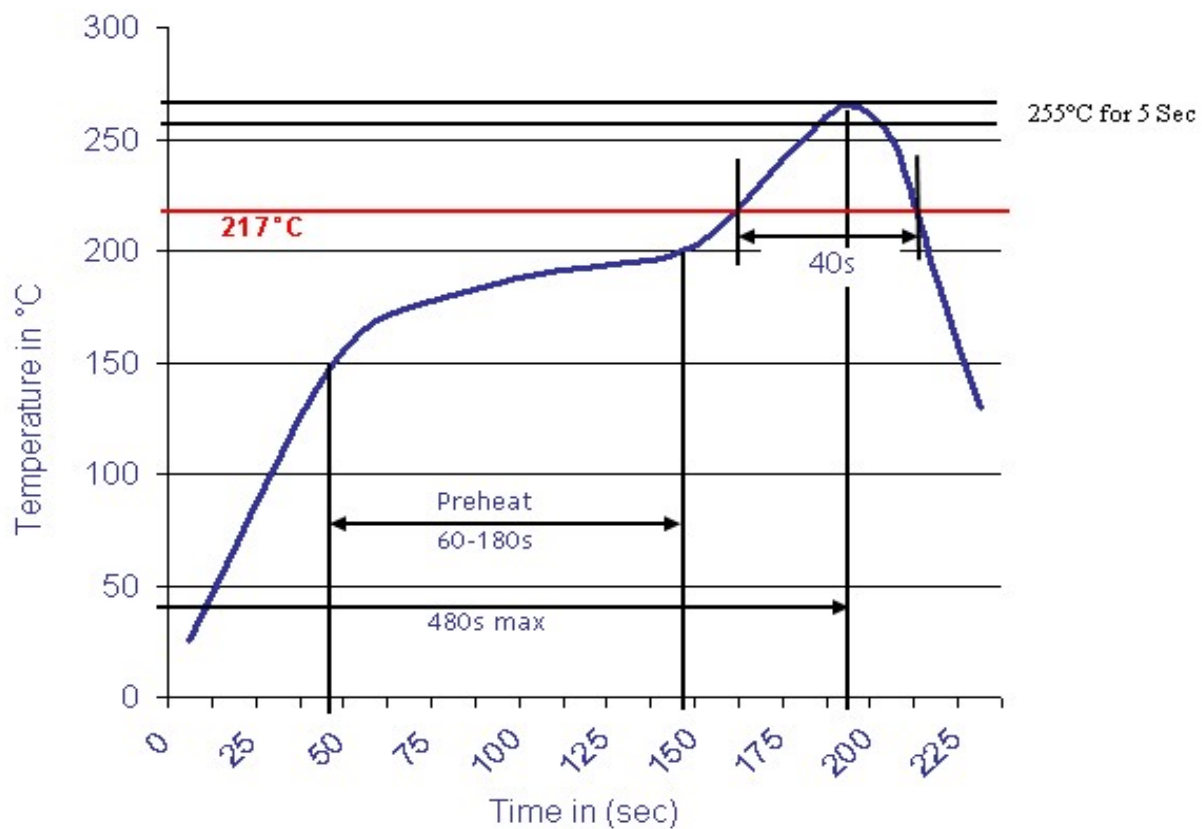
Screw Terminal Plug w. Mounting Screw (Inverted)	
Part No.:	A14M195
Customer:	

DRW:	Jason	CHKD	Wilson	MATL:	Wilson	TOLERANCE	Mason	DATE	23.07.2023
APPD:	Schumi			FINISH	Jamy		Sheet No.		3 from 4



Soldering Profile Curve

Classification Reflow Profile (JEDEC J-STD-020C)



Screw Terminal Plug w. Mounting Screw (Inverted)	
Part No.:	A14M195
Customer:	

DRW:	Jason	CHKD	Wilson	MATL:	Wilson	TOLERANCE	Mason	DATE	23.07.2023
APPD:	Schumi			FINISH	Jamy		Sheet No.	4 from 4	