

Data Sheet

180° Wafer with Sealing

Pitch: 5,08 mm

Serie: A14M180

Customer Information for special Item

EDCON Customer : 0

Customer Version No. : 0

EDCON-COMPONENTS



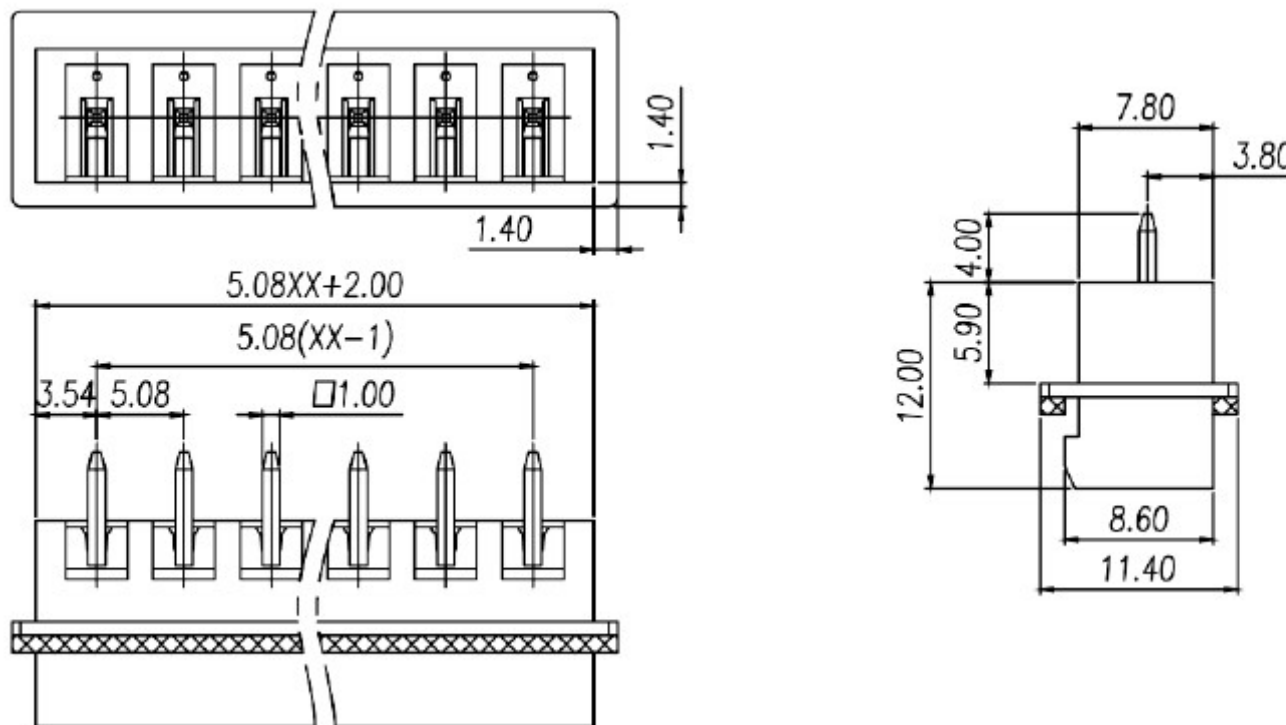
Technical Discription

Drawing (Dimension in mm)

UL/CUL Techn.Data			
Use Group	B	C	D
Rated Voltage: (V)	300		300
Rated Current: (A)	15		10
Wire Range / Stranged	Solid		
Withstanding Voltage:	160V/1Min		
IEC Techn. Data VDE			
Overvoltage Category	III	III	II
Contamination Class	3	2	2
Rated Voltage: (V)	250	320	400
Rated Current: (A)	10	10	10
Impulse withstand Voltage (KV)	4,0	4,0	4,0
Conductor Cross Section (mm ²)			

Material	
Insulator Material:	PBT
Imflammability:	UL94V-0
Contact Material	Copper Alloy
Surface Coating:	Tin Plated

Other Informations	
Pitch:(mm)	5,08
Poles: (P)	2 ~ 24
Stripping Length: (mm)	-
Srew Torque max.(Nm)	-
Operating Temp.: (°C)	-.40°C to +105°C
Pin Dimension: (mm)	1,0x1,0
PCB Hole Diameter (mm)	1,7



180° Wafer with Sealing	
Part No.:	A14M180
Customer:	

DRW:	Jason	CHKD	Wilson	MATL:	Wilson	TOLERANCE	Mason	DATE	23.07.2023
APPD:	Schumi			FINISH	Jamy		Sheet No.		1 from 4

www.edcon-components.com

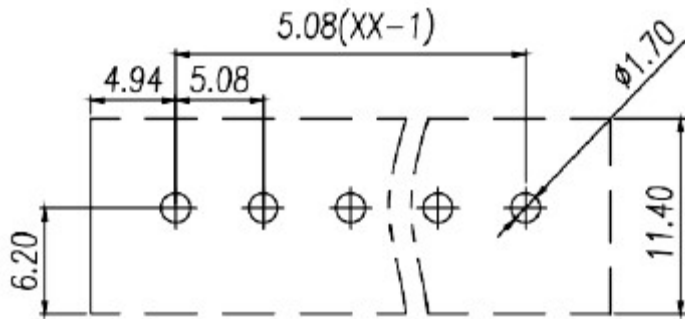
email: info@edcon-components.com

EDCON-COMPONENTS



PCB Layout

Drawing (Dimension in mm)



180° Wafer with Sealing	
Part No.:	A14M180
Customer:	

DRW:	Jason	CHKD	Wilson	MATL:	Wilson	TOLERANCE	Mason	DATE	23.07.2023
APPD:	Schumi			FINISH	Jamy		Sheet No.		2 from 4

www.edcon-components.com

email: info@edcon-components.com

EDCON-COMPONENTS



Ordering Informations

Serie	No. of Pos.	Body Color	No Function	Approval Code	ROHS	Packing	EDCON Cust. No.	Customer Version		
A14M180	02	PG	N	N	R	B				

Pitch
5,08

02 = Number of Pos. Standard 2 ~ 24Pos.	PG = Phoenix Green (Standard) WH = White GN = Green GY = Gray LG = Light Gray OR = Orange BL = Blue BK = Black	N = No function	N = NON Approval A = UL /UR Approval Please consult EDCON for available B = VDE Approval Please consult EDCON for available C = TÜV Approval Please consult EDCON for available	R = ROHS Conform N = NON ROHS Conform	B = Bulk-Ware I = Individual Package	xxxxxx = Customer Number	xxx = Customer Version ??(Printing)
---	---	------------------------	--	--	---	---------------------------------	---

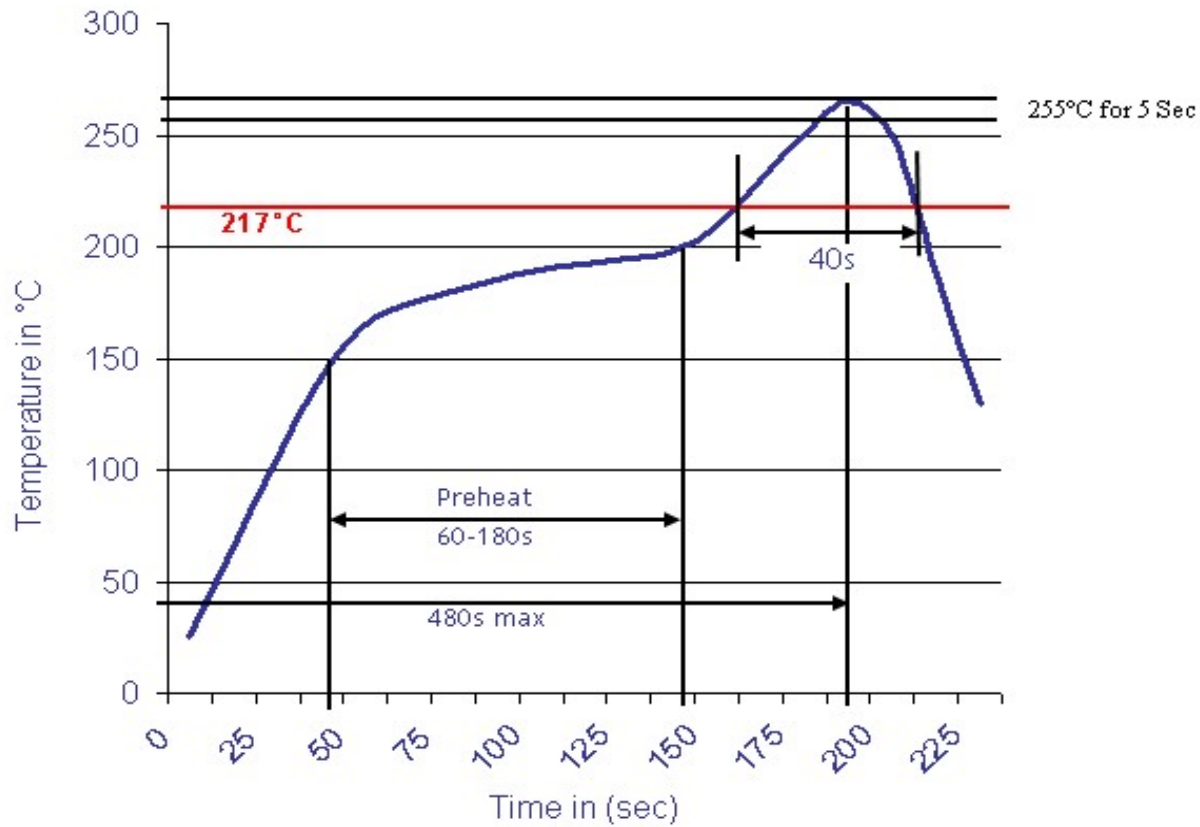
180° Wafer with Sealing
Part No.: A14M180
Customer:

DRW:	Jason	CHKD	Wilson	MATL:	Wilson	TOLERANCE	Mason	DATE	23.07.2023
APPD:	Schumi			FINISH	Jamy		Sheet No.		3 from 4



Soldering Profile Curve

Classification Reflow Profile (JEDEC J-STD-020C)



180° Wafer with Sealing	
Part No.:	A14M180
Customer:	

DRW:	Jason	CHKD	Wilson	MATL:	Wilson	TOLERANCE	Mason	DATE	23.07.2023
APPD:	Schumi			FINISH	Jamy		Sheet No.	4 from 4	