

# Data Sheet

## DIN-Rail Terminal Block ( Inverted)

**Pitch: 5,08 mm**

**Serie: A14M178**

### Customer Information for special Item

**EDCON Customer : xxxxxx**

**Customer Version No. : xx**

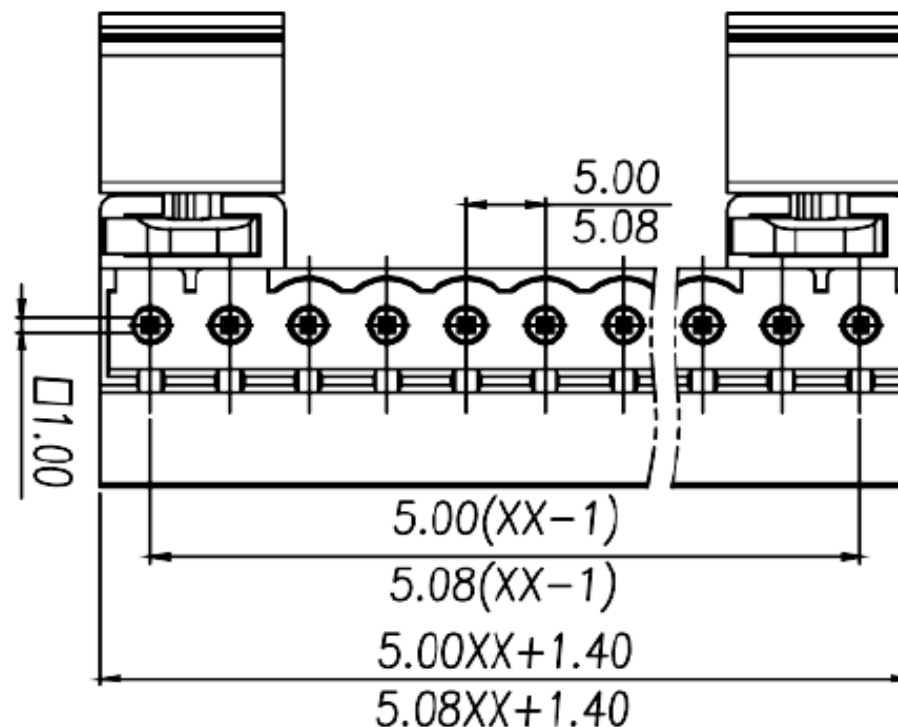
# EDCON-COMPONENTS



## Technical Discription

Electrical	UL	IEC	TÜV
Rated Voltage (V)	300	320	
Rated Current (A)	15	12	
Wire Range (mm <sup>2</sup> )	0,5~2,5		
Wire Range AWG-Size	28 ~ 12		
Withstanding Voltage (KV)	1,6	1,6	
Impuls Withst Voltage (KV)	4,0	4,0	
Insulation Resistance			
<b>Mechanical</b>			
Operating Temperature (°C)	-40°C ~ +105		
Wire Strip Length (mm)	.7~8		
Screw Torque	0,5		
Screw Size	M3		
<b>Materials</b>			
Terminal Housing	PA66		
Imflammability	UL94V-0		
Contact Material	Copper Alloy		
Contact Surface:	Tin Plated		
Pin Dimension: (mm)			
PCB Hole Diameter (mm)			
Nut			
<b>Dimensions</b>			
Pitch (mm)	5,08		
Poles	2 ~ 24 Pos.		

## Drawing (Dimension in mm)



DRW:	Jason	CHKD	Wilson	MATL:	Wilson
APPD:	Schumi			FINISH	Jamy

Tolerances unless otherwise specified (mm)				
x	x.x	x.xx	x.xxx	Angle
±	±	±	±	±3°
Sheet No.			23.07.2023	
1 from 3				

## DIN-Rail Terminal Block (Inverted)

Part No.: **A14M178**

Customer:

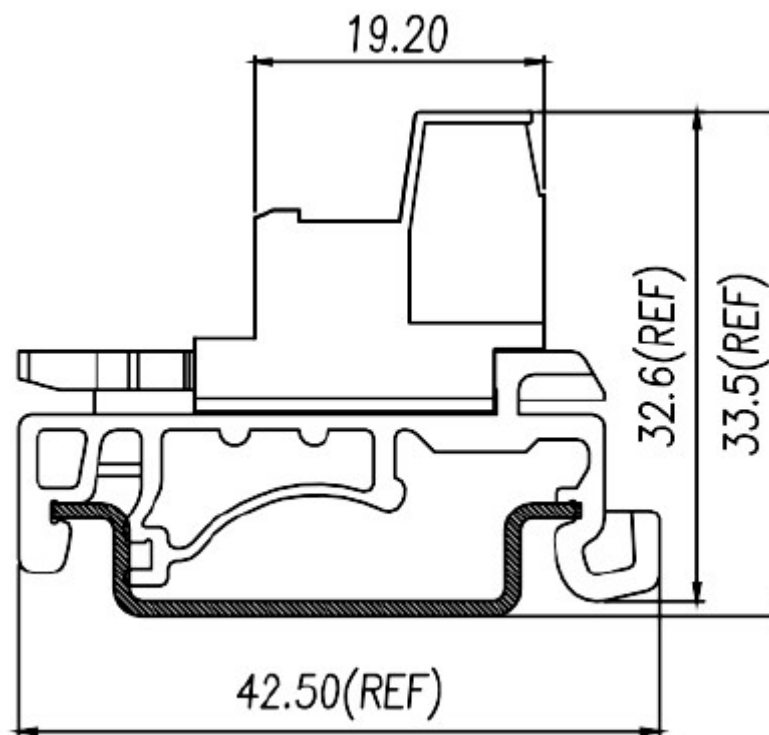
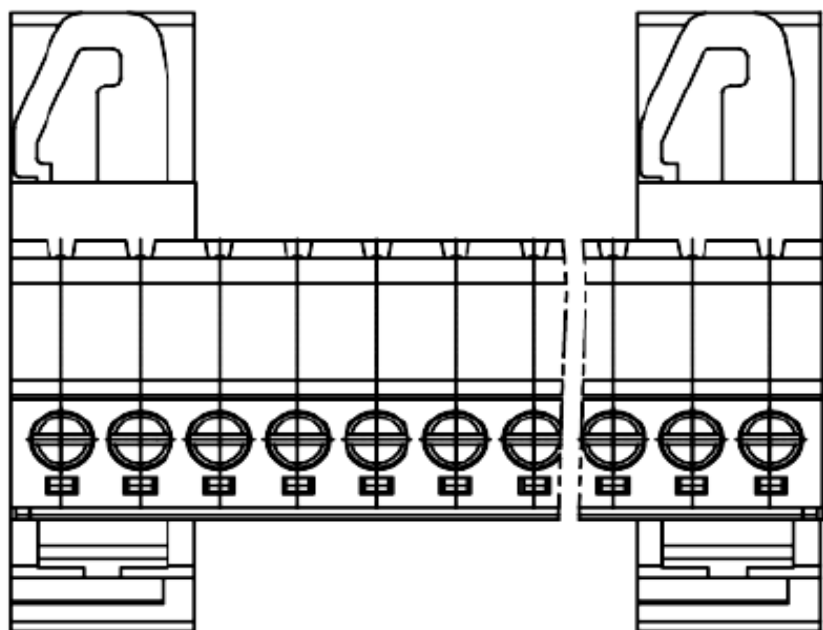
[www.edcon-components.com](http://www.edcon-components.com)

email: [info@edcon-components.com](mailto:info@edcon-components.com)

# EDCON-COMPONENTS



## Dimensions / Tolerance (mm)



**DIN-Rail Terminal Block (Inverted)**

Part No.: **A14M178**

Customer:

DRW:	Jason	CHKD	Wilson	MATL:	Wilson	TOLERANCE	Mason	DATE	23.07.2023
APPD:	Schumi			FINISH	Jamy		Sheet No.		2 from 3

[www.edcon-components.com](http://www.edcon-components.com)

email: [info@edcon-components.com](mailto:info@edcon-components.com)

# EDCON-COMPONENTS



## Ordering Informations

Serie	No. of Pos.	Body Color	No Function	Approval Code	ROHS	Packing	EDCON Cust. No.	Customer Version		
<b>A14M178</b>	<b>02</b>	<b>PG</b>	<b>N</b>	<b>N</b>	<b>R</b>	<b>B</b>	<b>xxxxxx</b>	<b>xx</b>		

Pitch  
5,08

<b>02</b> = Number of Pos. Standard 2 ~ 24 Pos.	<b>PG</b> = Phoenix Green (Standard) <b>WH</b> = White <b>GN</b> = Green <b>GY</b> = Gray <b>LG</b> = Light Gray <b>OR</b> = Orange <b>BL</b> = Blue <b>BK</b> = Black	<b>N</b> = No function	<b>N</b> = NON Approval <b>1</b> = UL-Approval for Material <b>A</b> = UL /UR Approval Please consult EDCON for available <b>B</b> = VDE Approval Please consult EDCON for available <b>C</b> = TÜV Approval Please consult EDCON for available	<b>R</b> = ROHS Conform <b>N</b> = NON ROHS Conform	<b>B</b> = Bulk-Ware <b>I</b> = Individual Package	<b>xxxxxx</b> = Customer Number	<b>xx</b> = Customer Version ??(Printing)
--	---	------------------------	---	--	---	---------------------------------	--

**DIN-Rail Terminal Block ( Inverted)**

Part No.: **A14M178**

DRW:	Jason	CHKD	Wilson	MATL:	Wilson	TOLERANCE	Mason	DATE	23.07.2023
APPD:	Schumi			FINISH	Jamy		Sheet No.		3 from 3

Customer: