

Data Sheet

DIN-Rail Terminal Block (Inverted)

Pitch: 5,08 mm

Serie: A14M177

Customer Information for special Item

EDCON Customer : xxxxxx

Customer Version No. : xx

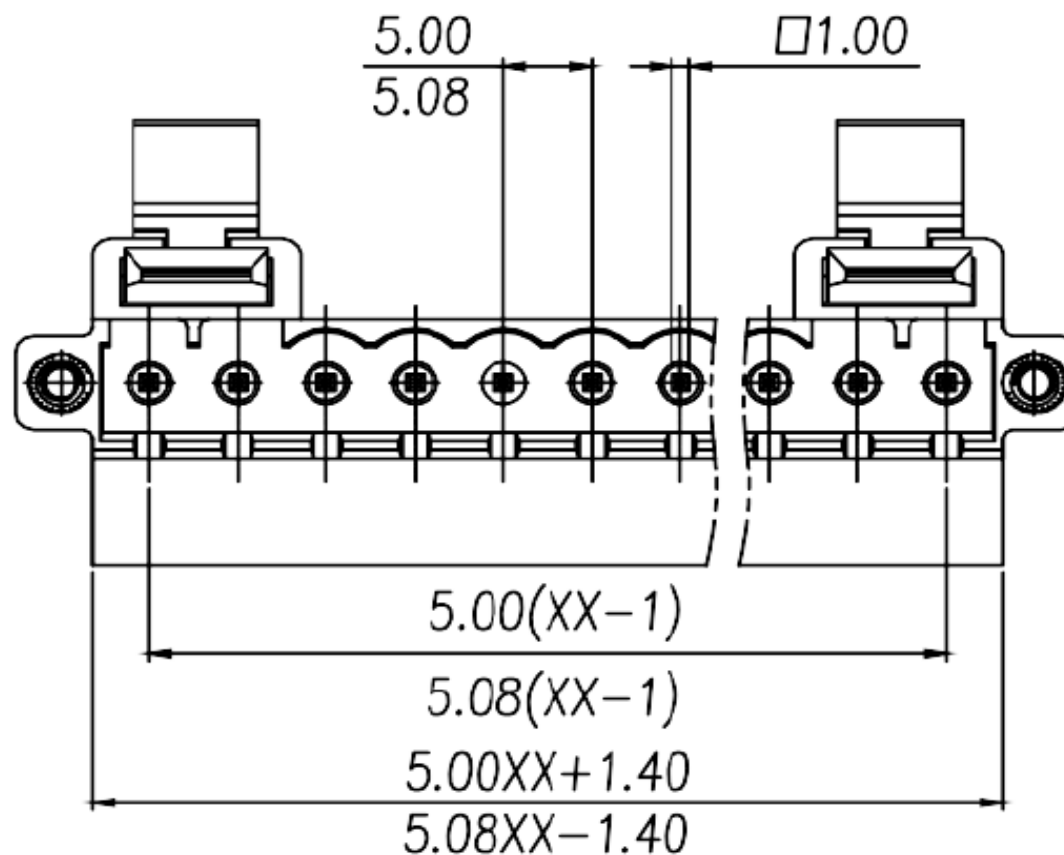
EDCON-COMPONENTS



Technical Discription

Electrical	UL	IEC	TÜV
Rated Voltage (V)	300	320	
Rated Current (A)	15	12	
Wire Range (mm ²)	0,5~2,5		
Wire Range AWG-Size	28 ~ 12		
Withstanding Voltage (KV)	1,6	1,6	
Impuls Withst Voltage (KV)	4,0	4,0	
Insulation Resistance			
Mechanical			
Operating Temperature (°C)	-40°C ~ +105		
Wire Strip Length (mm)	7~8		
Screw Torque	0,5		
Screw Size	M3		
Materials			
Terminal Housing	PA66		
Imflammability	UL94V-0		
Contact Material	Copper Alloy		
Contact Surface:	Tin Plated		
Pin Dimension: (mm)			
PCB Hole Diameter (mm)			
Nut			
Dimensions			
Pitch (mm)	5,08		
Poles	2 ~ 24 Pos.		

Drawing (Dimension in mm)



DIN-Rail Terminal Block (Inverted)

Part No.: **A14M177**

Customer:

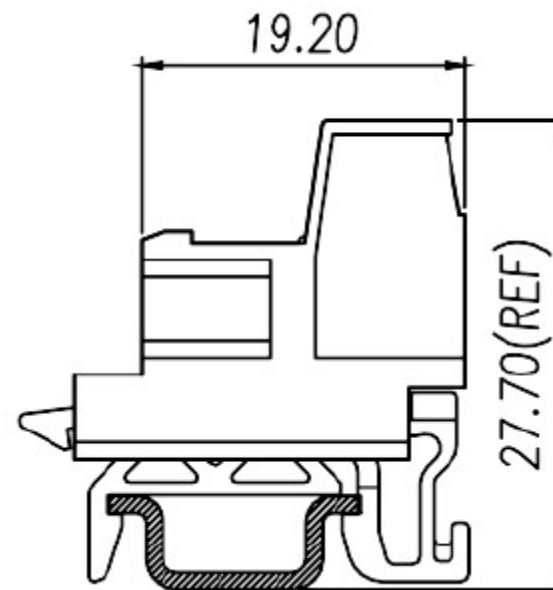
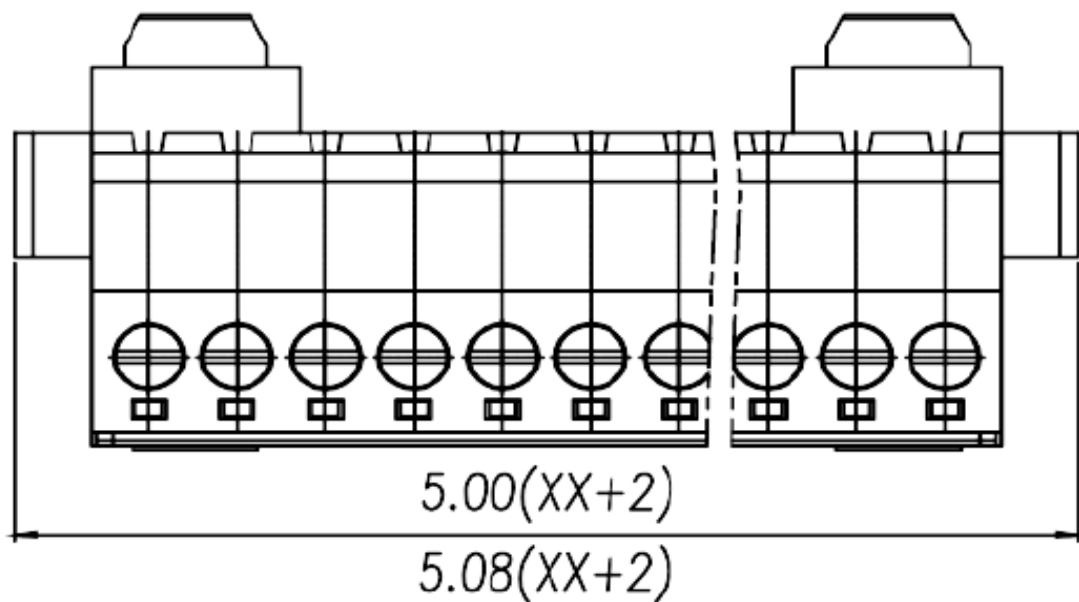
DRW:	Jason	CHKD:	Wilson	MATL:	Wilson
APPD:	Schumi			FINISH:	Jamy

Tolerances unless otherwise specified (mm)				
x	x.x	x.xx	x.xxx	Angle
±	±	±	±	±3°
Sheet No.			23.07.2023	
1 from 3				

EDCON-COMPONENTS



Dimensions / Tolerance (mm)



DIN-Rail Terminal Block (Inverted)

Part No.: **A14M177**

Customer:

DRW:	Jason	CHKD	Wilson	MATL:	Wilson	TOLERANCE	Mason	DATE	23.07.2023
APPD:	Schumi			FINISH	Jamy		Sheet No.		2 from 3

www.edcon-components.com

email: info@edcon-components.com

EDCON-COMPONENTS



Ordering Informations

Serie	No. of Pos.	Body Color	No Function	Approval Code	ROHS	Packing	EDCON Cust. No.	Customer Version		
A14M177	02	PG	N	N	R	B	xxxxxx	xx		

Pitch
5,08

02 = Number of Pos. Standard 2 ~ 24 Pos.	PG = Phoenix Green (Standard) WH = White GN = Green GY = Gray LG = Light Gray OR = Orange BL = Blue BK = Black	N = No function	N = NON Approval 1 = UL-Approval for Material A = UL /UR Approval Please consult EDCON for available B = VDE Approval Please consult EDCON for available C = TÜV Approval Please consult EDCON for available	R = ROHS Conform N = NON ROHS Conform	B = Bulk-Ware I = Individual Package	xxxxxx = Customer Number	xx = Customer Version ??(Printing)
--	---	------------------------	---	--	---	---------------------------------	--

DIN-Rail Terminal Block (Inverted)	
Part No.:	A14M177
Customer:	

DRW:	Jason	CHKD	Wilson	MATL:	Wilson	TOLERANCE	Mason	DATE	23.07.2023
APPD:	Schumi			FINISH	Jamy		Sheet No.		3 from 3

www.edcon-components.com

email: info@edcon-components.com