

# Data Sheet

## Plug Terminal Block Screwless ( Inverted)

**Pitch: 5,08 mm**

**Serie: A14M173**

### Customer Information for special Item

**EDCON Customer : xxxxxx**

**Customer Version No. : xx**

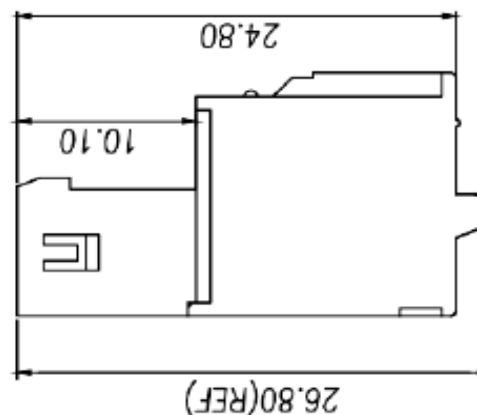
# EDCON-COMPONENTS



## Technical Discription

| Electrical                    | UL           | IEC | TÜV |
|-------------------------------|--------------|-----|-----|
| Rated Voltage (V)             | 300          | 320 |     |
| Rated Current (A)             | 10           | 12  |     |
| Wire Range (mm <sup>2</sup> ) | 0,5~2,5      |     |     |
| Wire Range AWG-Size           | 28 ~ 12      |     |     |
| Withstanding Voltage (KV)     | 1,6          | 1,6 |     |
| Impuls Withst Voltage (KV)    | 4,0          | 4,0 |     |
| Insulation Resistance         |              |     |     |
| <b>Mechanical</b>             |              |     |     |
| Operating Temperature (°C)    | -40°C ~ +105 |     |     |
| Wire Strip Length (mm)        | .9~10        |     |     |
| Screw Torque                  |              |     |     |
| Screw Size                    |              |     |     |
| <b>Materials</b>              |              |     |     |
| Terminal Housing              | PA66         |     |     |
| Imflammability                | UL94V-0      |     |     |
| Contact Material              | Copper Alloy |     |     |
| Contact Surface:              | Tin Plated   |     |     |
| Pin Dimension: (mm)           | 1,0x1,0      |     |     |
| PCB Hole Diameter (mm)        | 1,7          |     |     |
|                               |              |     |     |
|                               |              |     |     |
| Nut                           | M3           |     |     |
|                               |              |     |     |
| <b>Dimensions</b>             |              |     |     |
| Pitch (mm)                    | 5,08         |     |     |
| Poles                         | 2 ~ 24 Pos.  |     |     |

## Drawing (Dimension in mm)



|       |        |      |        |        | Tolerances unless otherwise specified (mm) |           |           |       |            |
|-------|--------|------|--------|--------|--|-----------|-----------|-------|------------|
| x     | x.x    | x.xx | x.xxx  | Angle  | x  | x.x       | x.xx      | x.xxx | Angle      |
| ±     | ±      | ±    | ±      | ±3°    | ±  | ±         | ±         | ±     | ±3°        |
| DRW:  | Jason  | CHKD | Wilson | MATL:  | Wilson                                     | TOLERANCE | Mason     | DATE  | 23.07.2023 |
| APPD: | Schumi |      |        | FINISH | Jamy                                       |           | Sheet No. |       | 1 from 3   |

|  |                |
|--|----------------|
| <b>Plug Terminal Block<br/>Screwless ( Inverted)</b> |                |
| Part No.:  | <b>A14M173</b> |
| Customer:  |                |

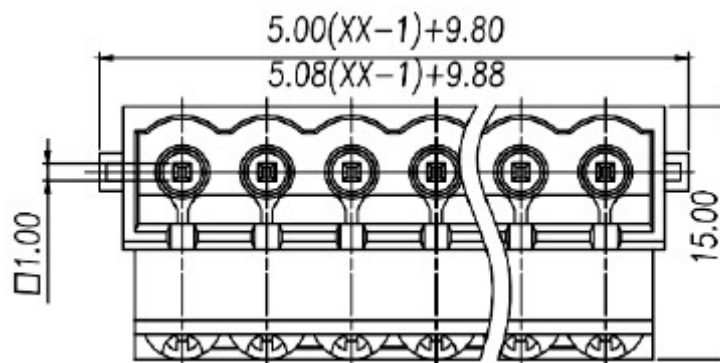
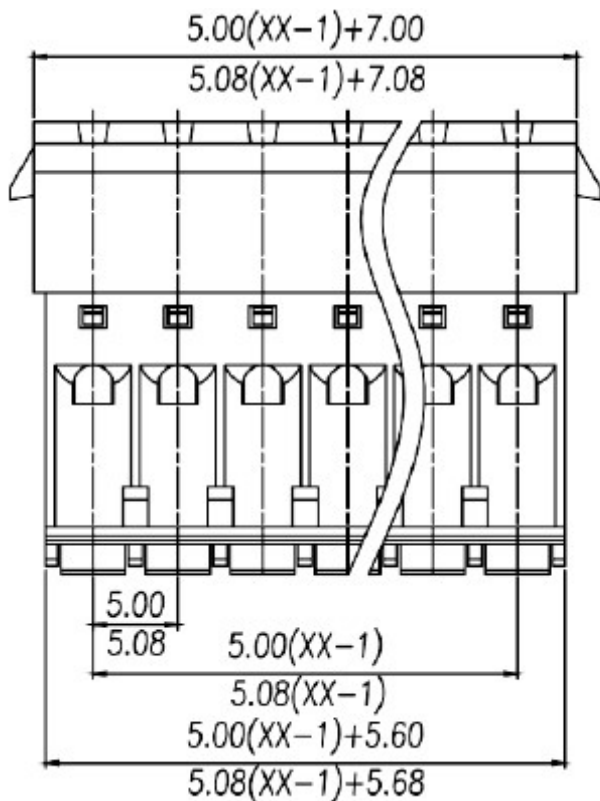
[www.edcon-components.com](http://www.edcon-components.com)

email: [info@edcon-components.com](mailto:info@edcon-components.com)

# EDCON-COMPONENTS



## Dimensions / Tolerance (mm)



### Plug Terminal Block Screwless ( Inverted)

Part No.: **A14M173**

|       |        |      |        |        |        |           |           |      |            |
|-------|--------|------|--------|--------|--------|-----------|-----------|------|------------|
| DRW:  | Jason  | CHKD | Wilson | MATL:  | Wilson | TOLERANCE | Mason     | DATE | 23.07.2023 |
| APPD: | Schumi |      |        | FINISH | Jamy   |           | Sheet No. |      | 2 from 3   |

Customer:

[www.edcon-components.com](http://www.edcon-components.com)

email: [info@edcon-components.com](mailto:info@edcon-components.com)

# EDCON-COMPONENTS



## Ordering Informations

| Serie          | No. of Pos. | Body Color | No Function | Approval Code | ROHS     | Packing  | EDCON Cust. No. | Customer Version |  |  |
|----------------|-------------|------------|-------------|---------------|----------|----------|-----------------|------------------|--|--|
| <b>A14M173</b> | <b>02</b>   | <b>PG</b>  | <b>N</b>    | <b>N</b>      | <b>R</b> | <b>B</b> | <b>xxxxxx</b>   | <b>xx</b>        |  |  |

Pitch  
5,08

|  |   |                        |   |  |   |                                 |  |
|--|---|------------------------|---|--|---|---------------------------------|--|
| <b>02</b> = Number of Pos.<br>Standard 2 ~ 24 Pos. | <b>PG</b> = Phoenix Green (Standard)<br><b>WH</b> = White<br><b>GN</b> = Green<br><b>GY</b> = Gray<br><b>LG</b> = Light Gray<br><b>OR</b> = Orange<br><b>BL</b> = Blue<br><b>BK</b> = Black | <b>N</b> = No function | <b>N</b> = NON Approval<br><b>1</b> = UL-Approval for Material<br><b>A</b> = UL /UR Approval Please consult EDCON for available<br><b>B</b> = VDE Approval Please consult EDCON for available<br><b>C</b> = TÜV Approval Please consult EDCON for available | <b>R</b> = ROHS Conform<br><b>N</b> = NON ROHS Conform | <b>B</b> = Bulk-Ware<br><b>I</b> = Individual Package | <b>xxxxxx</b> = Customer Number | <b>xx</b> = Customer Version<br>??(Printing) |
|--|---|------------------------|---|--|---|---------------------------------|--|

|  |                |
|--|----------------|
| <b>Plug Terminal Block<br/>Screwless ( Inverted)</b> |                |
| Part No.:  | <b>A14M173</b> |
| Customer:  |                |

|       |        |      |        |        |        |           |           |      |            |
|-------|--------|------|--------|--------|--------|-----------|-----------|------|------------|
| DRW:  | Jason  | CHKD | Wilson | MATL:  | Wilson | TOLERANCE | Mason     | DATE | 23.07.2023 |
| APPD: | Schumi |      |        | FINISH | Jamy   |           | Sheet No. |      | 3 from 3   |