

Data Sheet

Plug Screwless-Type w. mounting Flange

Pitch: 5,08 mm

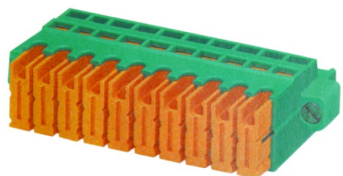
Serie: A14M128

Customer Information for special Item

EDCON Customer : 0

Customer Version No. : 0

EDCON-COMPONENTS



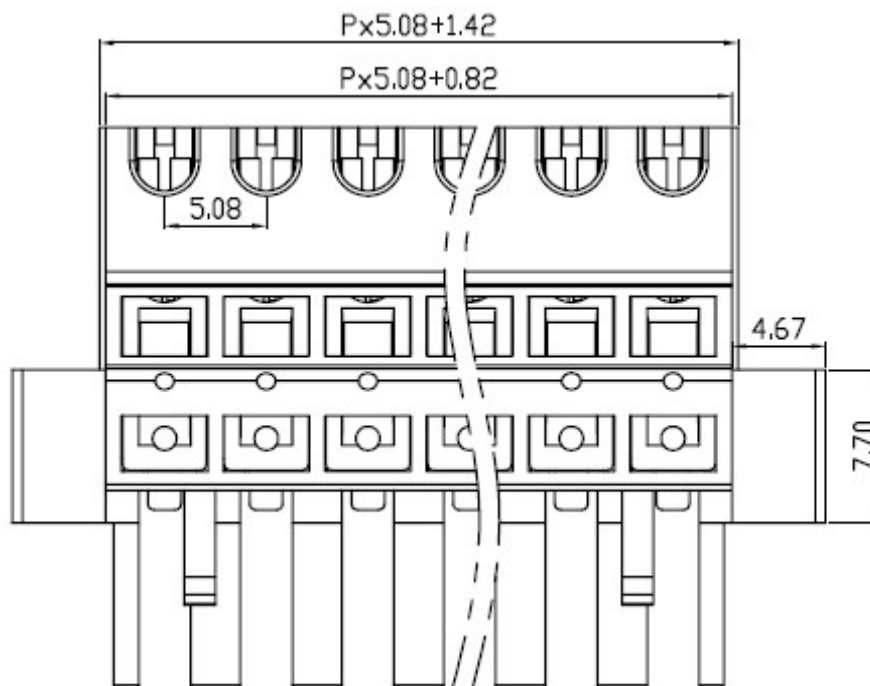
Technical Discription

Drawing (Dimension in mm)

UL/CUL Techn.Data			
Use Group	B	C	D
Rated Voltage: (V)	300	-	300
Rated Current: (A)	7	-	10
Wire Range Solid / Stranged	22~18AWG		
Withstanding Voltage:	1600V/1Min		
IEC Techn. Data VDE			
Overvoltage Category	III	III	II
Contamination Class	3	2	2
Rated Voltage: (V)	-	160	320
Rated Current: (A)	-	7	7
Impulse withstand Voltage (KV)	-	4,0	4,0
Conductor Cross Section (mm ²)	0,75mm ²		

Material	
Insulator Material:	PA66
Imflammability:	UL94V-0
Contact Material	Copper Alloy
Surface Coating:	Tin Plated

Other Informations	
Pitch:(mm)	5,08
Poles: (P)	2 ~ 24
Stripping Length: (mm)	
Srew Torque max.(Nm)	
Operating Temp.: (°C)	-.40°C to +105°C
Pin Dimension: (mm)	
PCB Hole Diamter (mm)	
Screw-Size	



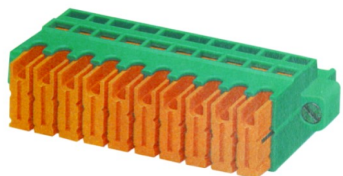
Tolerances unless otherwise specified (mm)				
x	x.x	x.xx	x.xxx	Angle
±	±0,60	±0,30	±0,10	±3°
DRW:	Jason	CHKD	Wilson	MATL:
APPD:	Schumi			FINISH
			Wilson	TOLERANCE
			Jamy	DATE
				23.07.2023
				Sheet No.
				1 from 3

**Plug Screwless-Type w.
mounting Flange**

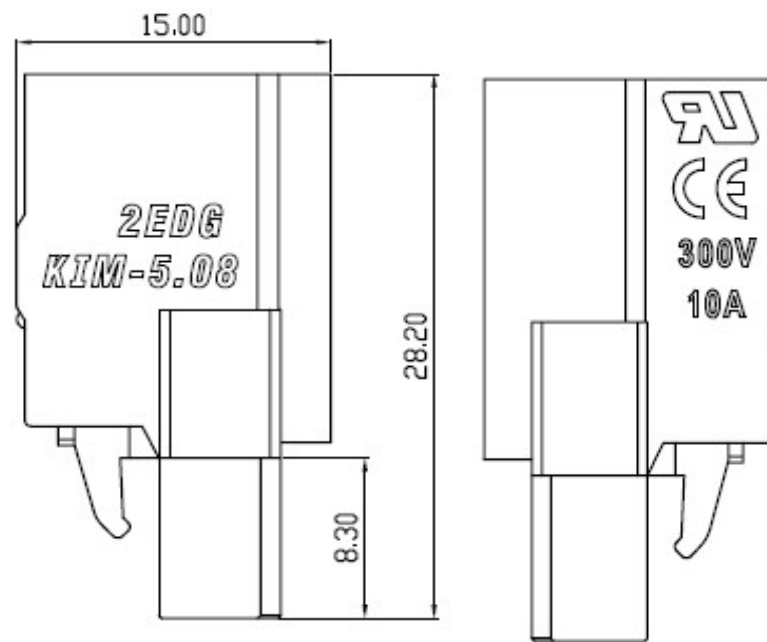
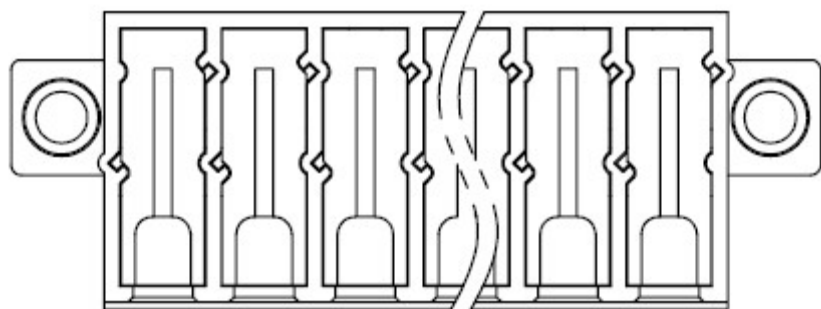
Part No.: **A14M128**

Customer:

EDCON-COMPONENTS



Drawing (Dimension in mm)



**Plug Screwless-Type w.
mounting Flange**

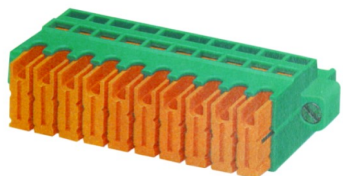
Part No.: **A14M128**

DRW:	Jason	CHKD	Wilson	MATL:	Wilson	TOLERANCE	Mason	DATE	23.07.2023	Customer:
APPD:	Schumi			FINISH	Jamy		Sheet No.	2 from 3		

www.edcon-components.com

email: info@edcon-components.com

EDCON-COMPONENTS



Ordering Informations

Serie	No. of Pos.	Body Color	Screw Type	Approval Code	ROHS	Packing	EDCON Cust. No.	Customer Version		
-------	-------------	------------	------------	---------------	------	---------	-----------------	------------------	--	--

A14M128	XX	PG	C	N	R	B				
----------------	-----------	-----------	----------	----------	----------	----------	--	--	--	--

Pitch
5,08

02= Number of Pos. Standard 2 ~ 24Pos.	PG= Phoenix Green (Standard)		N= NON Approval	R= ROHS Conform	B= Bulk-Ware I= Individual Package	xxxxxx= Customer Number	xxx= Customer Version ??(Printing)
	WH= White		A= UL /UR Approval Please consult EDCON for available	N= NON ROHS Conform			
	GN= Green		B= VDE Approval Please consult EDCON for available	C= TÜV Approval Please consult EDCON for available	C= Screwless Type		
	GY= Gray						
	LG= Light Gray						
	OR= Orange						
	BL= Blue						
	BK= Black						

Plug Screwless-Type w. mounting Flange
Part No.: A14M128
Customer:

DRW:	Jason	CHKD	Wilson	MATL:	Wilson	TOLERANCE	Mason	DATE	23.07.2023
APPD:	Schumi			FINISH	Jamy		Sheet No.		3 from 3