

# Data Sheet

## Pluggable Terminal Block (Plug)

**Pitch: 5,08 mm**

**Serie: A14M125**

### Customer Information for special Item

**EDCON Customer : 0**

**Customer Version No. : 0**

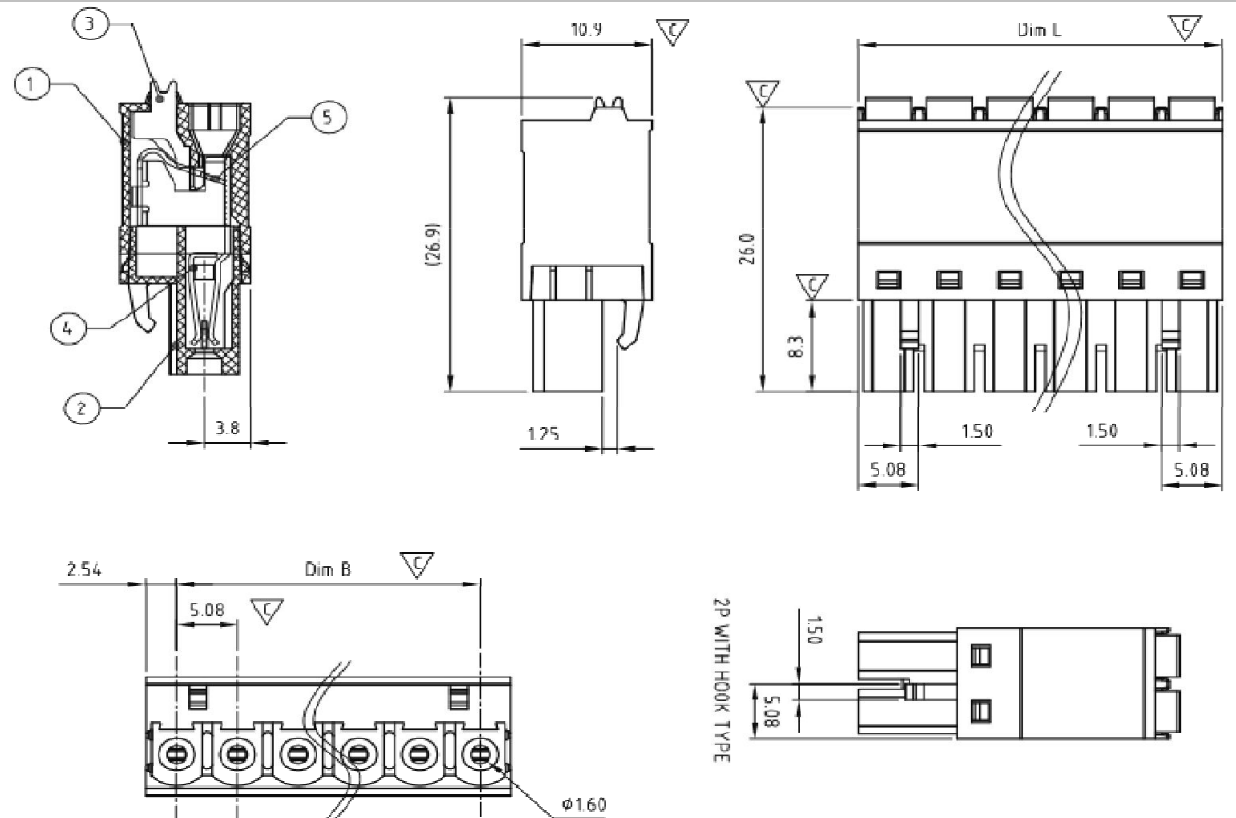
# EDCON-COMPONENTS



## Technical Discription

Electrical	UL	IEC	TÜV
Rated Voltage (V)	300	300	
Rated Current (A)	12	10	
Wire Range (mm <sup>2</sup> )	0,2~1,5		
Wire Range AWG-Size	24 ~ 16		
Withstanding Voltage (KV)	1,6	1,6	
Impuls Withst Voltage (KV)	4	4	
Insulation Resistance	5000MΩ / 1KV		
Mechanical			
Operating Temperature (°C)	-40°C ~ +105		
Wire Strip Length	11-12mm		
Screw Torque			
Screw Size			
Materials			
Terminal Housing	Thermoplastic		
Imflammability	UL94V-0		
Contact Material	Copper Alloy		
Contact Surface:	Tin Plated		
Pin Dimension: (mm)			
PCB Hole Diameter (mm)			
Screw Material			
Cage	Stainless Steel / Ni Plated		
Dimensions			
Pitch (mm)	5,08		
Poles	2 ~ 24 Pos.		

## Drawing (Dimension in mm)



					Unspecified Tolerance (mm)					Pluggable Terminal Block (Plug)
					X.	X.x	X.xx	X.xxx	X.xxxx	
DRW:	Jason	CHKD	Wilson	MATL:	Wilson	TOLERANCE	Mason	DATE	14.09.2023	Part No.: <b>A14M125</b>
APPD:	Schumi		FINISH	Jamy			Sheet No.		1 from 2	Customer:

[www.edcon-components.com](http://www.edcon-components.com)

email: [info@edcon-components.com](mailto:info@edcon-components.com)

# EDCON-COMPONENTS





## Ordering Informations

Serie	No. of Pos.	Body Color	Screw Type	Approval Code	ROHS	Packing	EDCON Cust. No.	Customer Version		
-------	-------------	------------	------------	---------------	------	---------	-----------------	------------------	--	--

<b>A14M125</b>	<b>02</b>	<b>PG</b>	<b>C</b>	<b>N</b>	<b>R</b>	<b>B</b>				
----------------	-----------	-----------	----------	----------	----------	----------	--	--	--	--

Pitch  
5,08

<b>02</b> = Number of Pos.  Standard 2 ~ 24Pos.	<b>PG</b> = Phoenix Green (Standard)	<b>A</b> = Slotted Screw Type (Standard)  	<b>N</b> = NON Approval  <b>A</b> = UL /UR Approval Please consult EDCON for available	<b>R</b> = ROHS Conform  <b>N</b> = NON ROHS Conform	<b>B</b> = Bulk-Ware  <b>I</b> = Individual Package	<b>xxxxxx</b> = Customer Number	<b>xxx</b> = Customer Version ??(Printing)
	<b>WH</b> = White						
	<b>GN</b> = Green	<b>B</b> = Cross Slotted Screw Type  	<b>B</b> = VDE Approval Please consult EDCON for available				
	<b>GY</b> = Gray						
	<b>LG</b> = Light Gray	<b>C</b> = Screwless Type	<b>C</b> = TÜV Approval Please consult EDCON for available				
	<b>OR</b> = Orange						
	<b>BL</b> = Blue						
<b>BK</b> = Black							

<b>Pluggable Terminal Block (Plug)</b>
Part No.: <b>A14M125</b>
Customer:

DRW:	Jason	CHKD	Wilson	MATL:	Wilson	TOLERANCE	Mason	DATE	14.09.2023
APPD:	Schumi			FINISH	Jamy		Sheet No.		2 from 2