

Data Sheet

Pluggable Terminal Block Wafer Right-Angle

Pitch: 5,08 mm

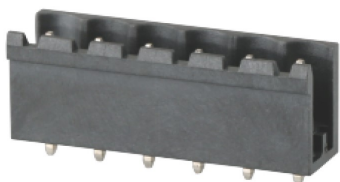
Serie: A14M120

Customer Information for special Item

EDCON Customer : xxxxxx

Customer Version No. : xx

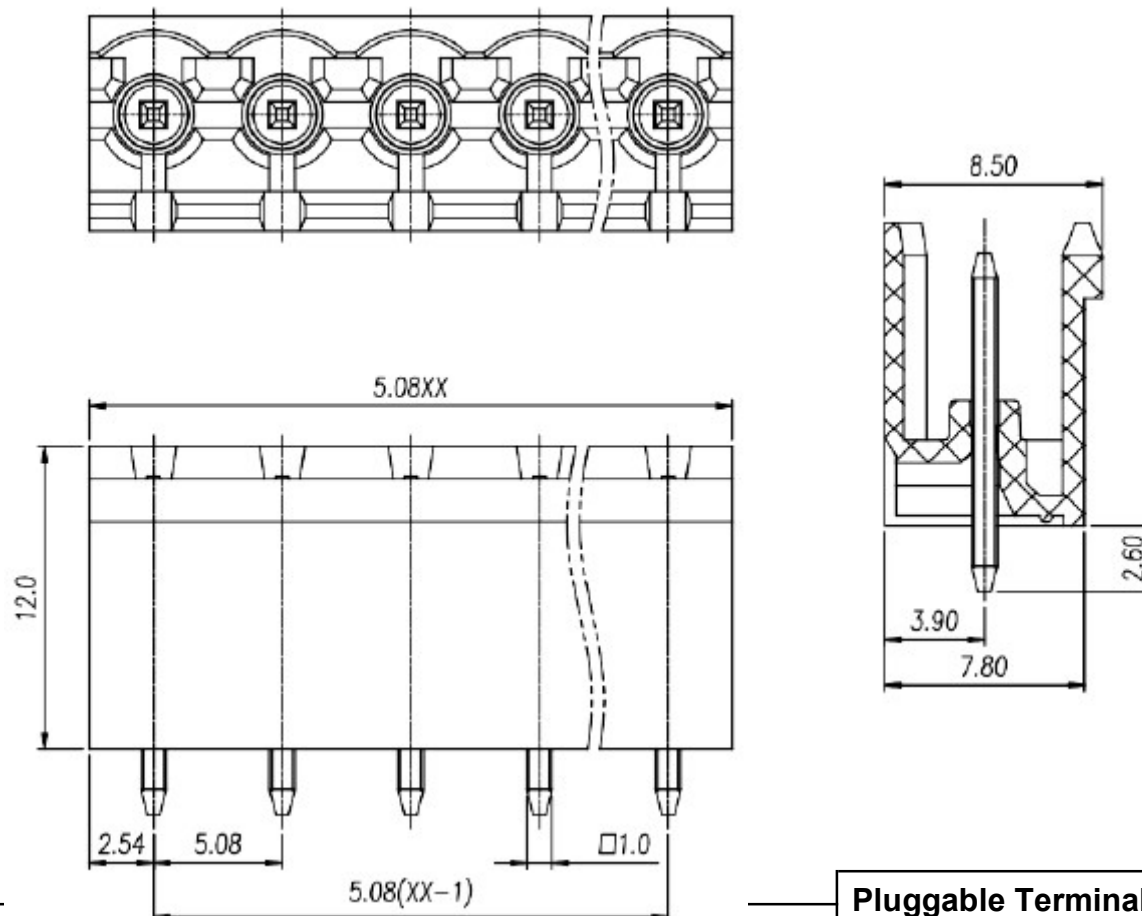
EDCON-COMPONENTS



Technical Discription

Electrical	UL	IEC	TÜV
Rated Voltage (V)	300	320	
Rated Current (A)	15	12	
Wire Range (mm ²)			
Wire Range AWG-Size			
Withstanding Voltage (KV)	1,6	1,6	
Impuls Withst Voltage (KV)	4,0	4,0	
Insulation Resistance			
Mechanical			
Operating Temperature (°C)	-40°C ~ +105		
Wire Strip Length (mm)			
Screw Torque			
Screw Size			
Materials			
Terminal Housing	LCP		
Imflammability	UL94V-0		
Contact Material	Copper Alloy		
Contact Surface:	Tin Plated		
Pin Dimension: (mm)	1,0x1,0		
PCB Hole Diameter (mm)	1,7		
Nut	M3		
Dimensions			
Pitch (mm)	5,08		
Poles	2 ~ 24 Pos.		

Drawing (Dimension in mm)



Pluggable Terminal Block Wafer Right-Angle

Part No.: **A14M120**

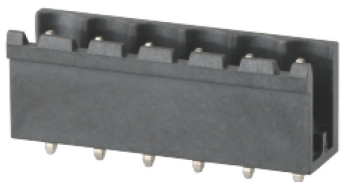
Customer:

DRW:	Jason	CHKD:	Wilson	MATL:	Wilson	TOLERANCE:	Mason	DATE:	23.07.2023
APPD:	Schumi			FINISH:	Jamy			Sheet No.:	1 from 4

www.edcon-components.com

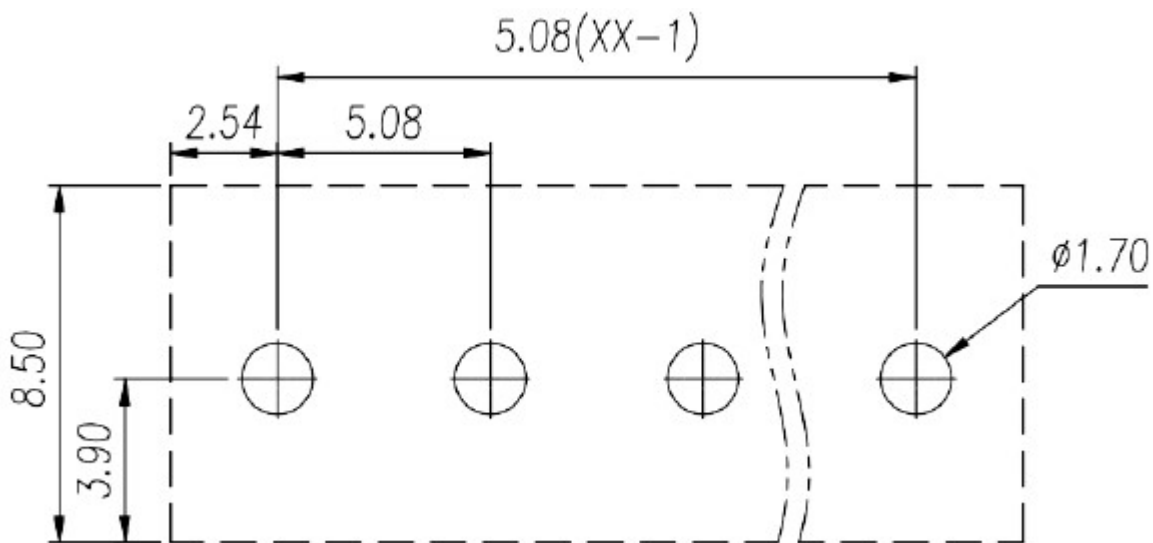
email: info@edcon-components.com

EDCON-COMPONENTS



PCB Layout (mm)

Dimensions / Tolerance (mm)



**Pluggable Terminal Block
Wafer Right-Angle**

Part No.: **A14M120**

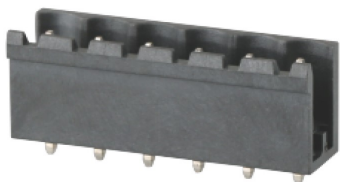
DRW:	Jason	CHKD:	Wilson	MATL:	Wilson	TOLERANCE:	Mason	DATE:	23.07.2023
APPD:	Schumi			FINISH:	Jamy		Sheet No.		2 from 4

Customer:

www.edcon-components.com

email: info@edcon-components.com

EDCON-COMPONENTS



Ordering Informations

Serie	No. of Pos.	Body Color	No Function	Approval Code	ROHS	Packing	EDCON Cust. No.	Customer Version		
A14M120	02	BK	N	N	R	B	xxxxxx	xx		

Pitch
5,08

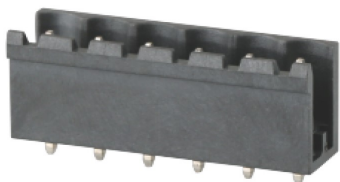
02= Number of Pos.		N= No function	N= NON Approval	R= ROHS Conform	B= Bulk-Ware	xxxxxx= Customer Number	xx= Customer Version ??(Printing)
Standard 2 ~ 24 Pos.			1= UL-Approval for Material	N= NON ROHS Conform	I= Individual Package		
			A= UL /UR Approval Please consult EDCON for available				
			B= VDE Approval Please consult EDCON for available				
			C= TÜV Approval Please consult EDCON for available				
	BK= Black						

Pluggable Terminal Block Wafer Right-Angle	
Part No.:	A14M120
Customer:	

DRW:	Jason	CHKD	Wilson	MATL:	Wilson	TOLERANCE	Mason	DATE	23.07.2023
APPD:	Schumi			FINISH	Jamy		Sheet No.		3 from 4

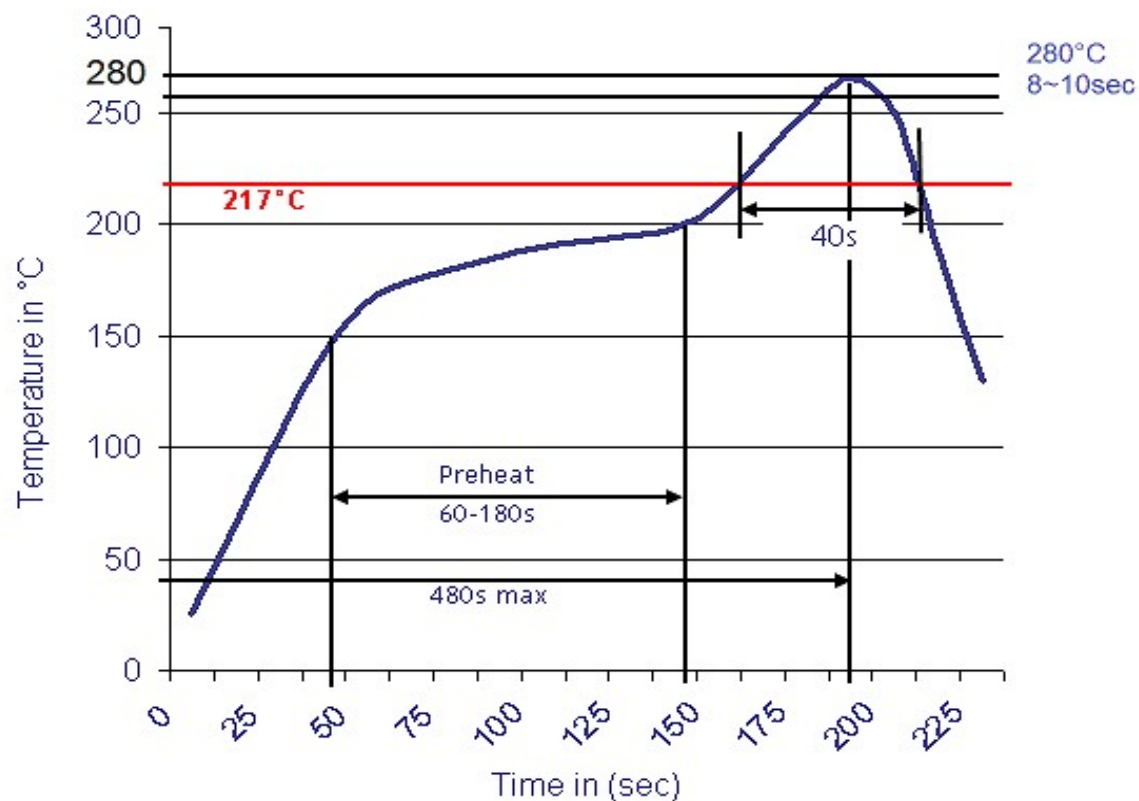
www.edcon-components.com

email: info@edcon-components.com



Soldering Profile Curve

Classification Reflow Profile (JEDEC J-STD-020C)



**Pluggable Terminal Block
Wafer Right-Angle**

Part No.: **A14M120**

Customer:

DRW:	Jason	CHKD	Wilson	MATL:	Wilson	TOLERANCE	Mason	DATE	23.07.2023
APPD:	Schumi			FINISH	Jamy		Sheet No.		4 from 4