

# Data Sheet

## Pluggable Terminal Block Wafer Right-Angle

**Pitch: 5,08 mm**

**Serie: A14M119**

**Customer Information for special Item**

**EDCON Customer : xxxxxx**

**Customer Version No. : xx**

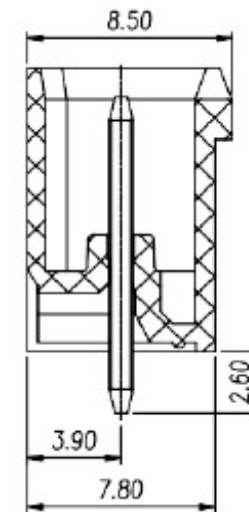
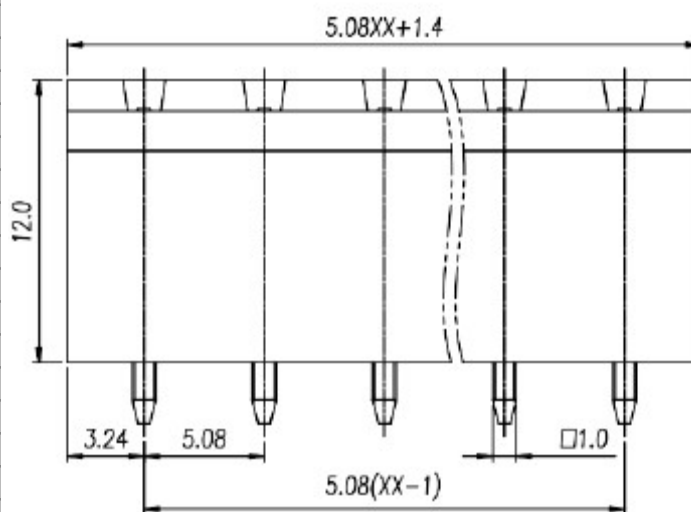
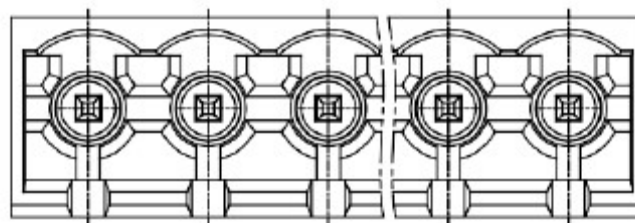
# EDCON-COMPONENTS



## Technical Discription

Electrical	UL	IEC	TÜV
Rated Voltage (V)	300	320	
Rated Current (A)	15	12	
Wire Range (mm <sup>2</sup> )			
Wire Range AWG-Size			
Withstanding Voltage (KV)	1,6	1,6	
Impuls Withst Voltage (KV)	4,0	4,0	
Insulation Resistance			
<b>Mechanical</b>			
Operating Temperature (°C)	-40°C ~ +105		
Wire Strip Length (mm)			
Screw Torque			
Screw Size			
<b>Materials</b>			
Terminal Housing	LCP		
Imflammability	UL94V-0		
Contact Material	Copper Alloy		
Contact Surface:	Tin Plated		
Pin Dimension: (mm)	1,0x1,0		
PCB Hole Diameter (mm)	1,7		
Nut	M3		
<b>Dimensions</b>			
Pitch (mm)	5,08		
Poles	2 ~ 24 Pos.		

## Drawing (Dimension in mm)



Tolerances unless otherwise specified (mm)

x	x.x	x.xx	x.xxx	Angle					
±	±	±	±	±3°					
DRW:	Jason	CHKD:	Wilson	MATL:	Wilson	TOLERANCE:	Mason	DATE:	23.07.2023
APPD:	Schumi			FINISH:	Jamy			Sheet No.:	1 from 4

## Pluggable Terminal Block Wafer Right-Angle

Part No.: **A14M119**

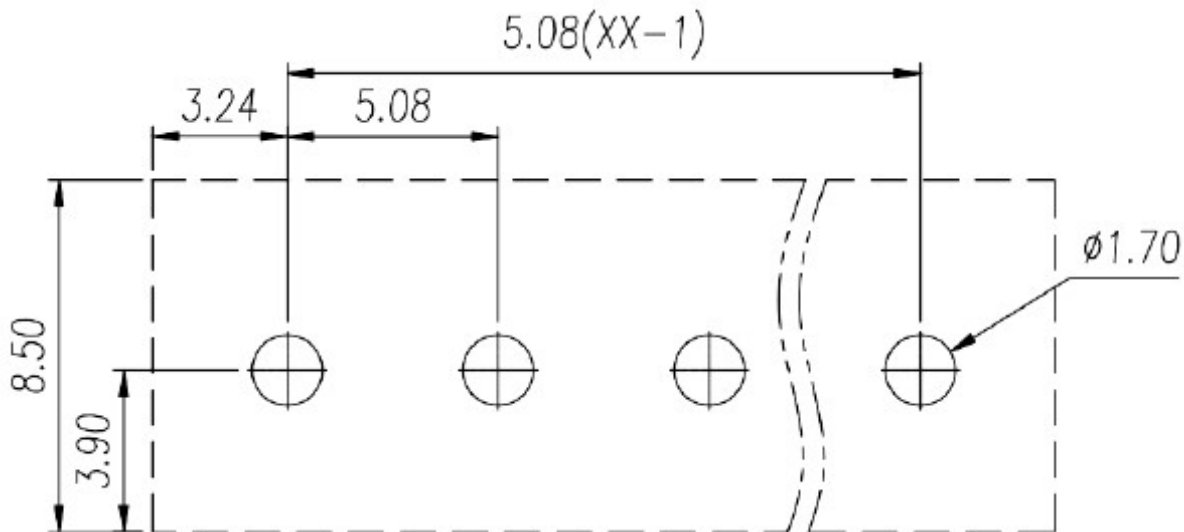
Customer:

# EDCON-COMPONENTS



PCB Layout (mm)

Dimensions / Tolerance (mm)



**Pluggable Terminal Block  
Wafer Right-Angle**

Part No.: **A14M119**

DRW:	Jason	CHKD	Wilson	MATL:	Wilson	TOLERANCE	Mason	DATE	23.07.2023
APPD:	Schumi			FINISH	Jamy		Sheet No.		2 from 4

Customer:

[www.edcon-components.com](http://www.edcon-components.com)

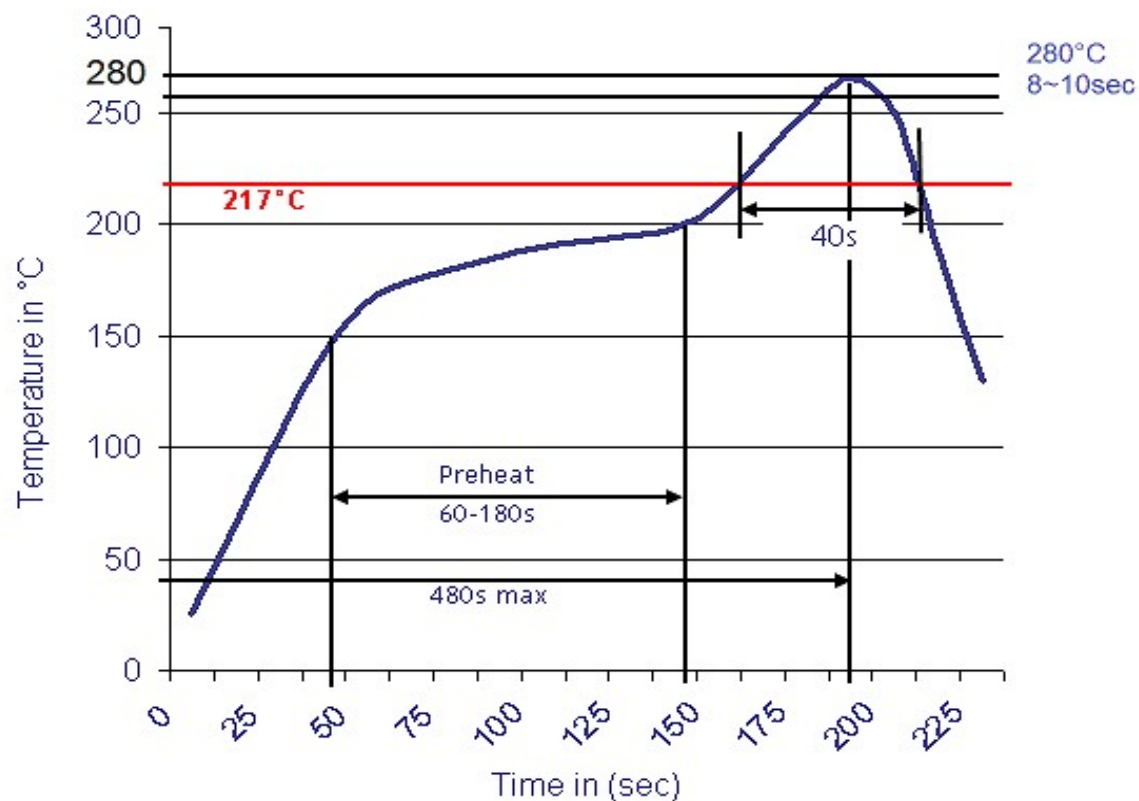
email: [info@edcon-components.com](mailto:info@edcon-components.com)





Soldering Profile Curve

Classification Reflow Profile (JEDEC J-STD-020C)



**Pluggable Terminal Block  
Wafer Right-Angle**

Part No.: **A14M119**

DRW:	Jason	CHKD	Wilson	MATL:	Wilson	TOLERANCE	Mason	DATE	23.07.2023
APPD:	Schumi			FINISH	Jamy		Sheet No.		4 from 4

Customer: